

forum seat



The Forum Seat is a hybrid between a patio and street furniture product, features minimal design, and comes in a range of fade-resistant bright colours. It is DDA-compliant. Complement Forum with Cafe Tables and Stools.

DIMENSIONS:

555W x 735H x various lengths (mm)
21 7/8" W x 29" H x various lengths

Select one box per category to specify your product.

LENGTH:

- 1-seater, 620mm | 24 3/8"
- 3-seater, 1500mm | 59"
- 3-seater extended, 1800mm | 70 7/8"
- 4-seater, 2500mm | 98 3/8"
- Tailored

FRAME:

[See colour chart](#)

Cast aluminium powder coated

MOUNTING:

- Freestanding
- Surface fixed
- Subsurface fixed
- Core drilled (100mm below ground)

BATTEN:

- Aluminium Woodgrain [See Colour Chart](#)
- Aluminium Powder Coated [See Colour Chart](#)
- Aluminium Anodised
- Eco-certified Hardwood Oiled*

*Sourced from certified managed forests (PEFC or FSC). Hardwood needs re-oiling every 3 months. For a wood look with low maintenance, choose Aluminium Woodgrain (also known as Wood Without Worry).

BATTEN ENDCAP COLOUR:

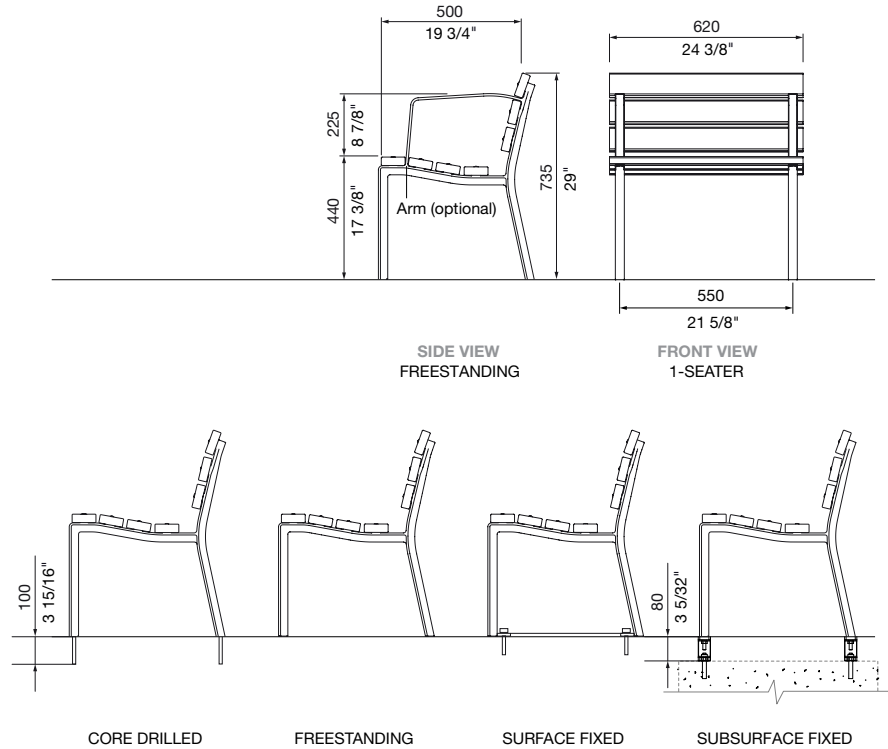
- Match Batten
- Match Frame

ARM:

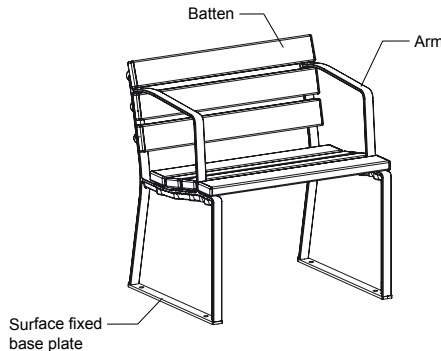
Dark colours are not recommended for areas in constant direct sunlight.

- Integral arms qty 2
- No arms

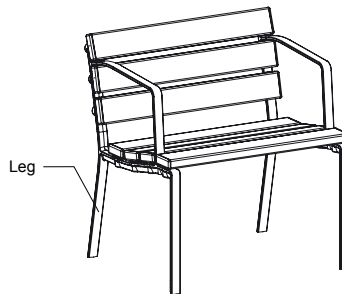
Some options incur additional fees and lead time.



MOUNTING OPTIONS



FORUM SEAT
1-seater, surface fixed, with arms
FS7



FORUM SEAT
1-seater, freestanding, with arms
FS7

forum seat

This is a carbon neutral product.



Need more information?

For a brochure, image gallery, CAD downloads, installation and maintenance guides, go to:

streetfurniture.com/au/product/forum-seat/

Quick links:

streetfurniture.com/au/colour-chart/

streetfurniture.com/au/warranty/

