

classic galleria table

street furniture™ technical sheets

<u>product name</u>	<u>mcode</u>	<u>page</u>
Classic Galleria Table	CMG6	2
Classic Galleria DDA Table	CMG6-DDA	4

Classic picnic table with curved edges supported by strong, cast aluminium frames.

MCODE:
CMG6

DIMENSIONS:

740W x 720H x various lengths (mm)
29 1/8" W x 28 3/8" H x various lengths

Select one box per category to specify your product.

LENGTH:

- 1750mm | 68 7/8"
- 2100mm | 82 11/16"
- Tailored

FRAME:

- Cast aluminium powder coated
(see colour chart)

LEG AND MOUNTING:

- 08 Tee Table (DDA height)
 - Surface fixed
 - Subsurface fixed
 - Freestanding

BATTEN:

Street Furniture Australia uses sustainable timber from certified managed forests. Timber requires oiling every three months. For a timber look with low maintenance, choose aluminium woodgrain.

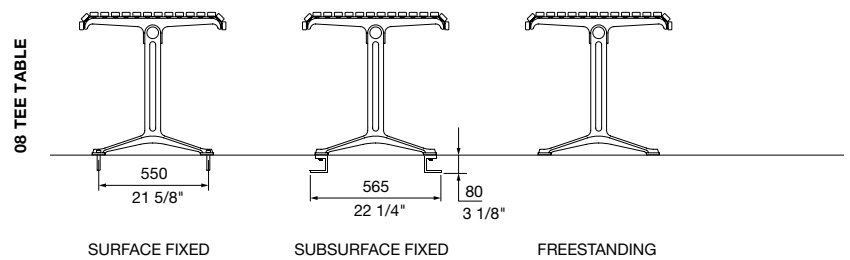
- Eco-certified hardwood oiled
- Aluminium anodised
- Aluminium powder coated (see colour chart)
- Aluminium woodgrain (see colour chart)
- Tailored

BATTEN END CAP:

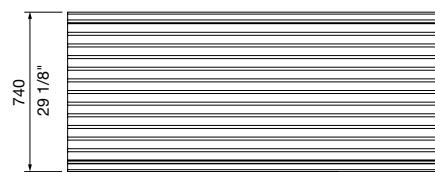
Solid powder colour applies to aluminium battens only.

- Match batten colour
- Match frame colour
- Tailored (see colour chart)

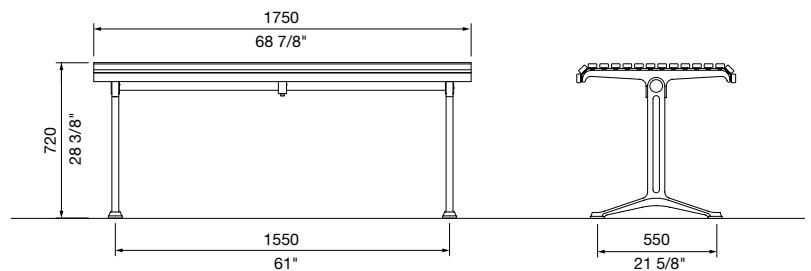
Some options incur additional fees and lead time.



LEG AND MOUNTING OPTIONS

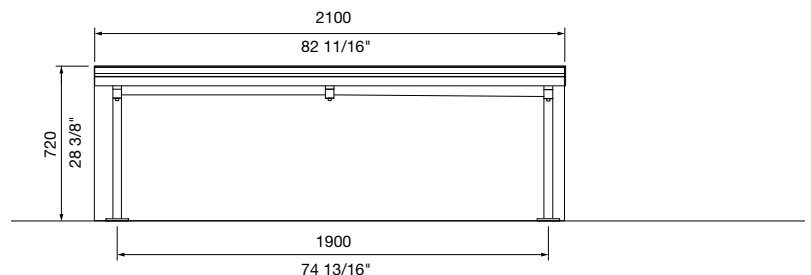


TOP VIEW
1750mm



FRONT VIEW
1750mm

SIDE VIEW
TEE TABLE LEG



FRONT VIEW
2100mm

COMPATIBLE SEATING:

Refer to separate technical sheet.

- Classic Galleria DDA Seat (CMG5)
- Classic Galleria Slim Bench (CMG8)

CHESS BOARD:

- None
- Anodised Aluminium Chess Board
405mm x 405mm | 15 15/16" x 15 15/16"

Need more information?

For a brochure, image gallery, CAD downloads, installation and maintenance guides, go to:

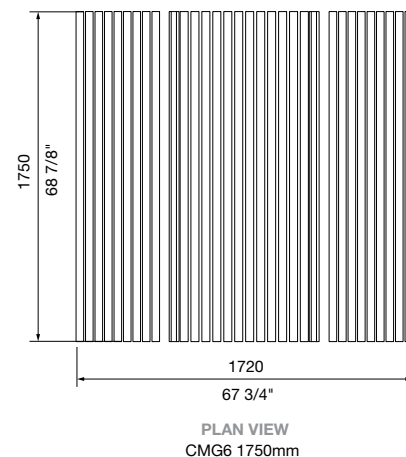
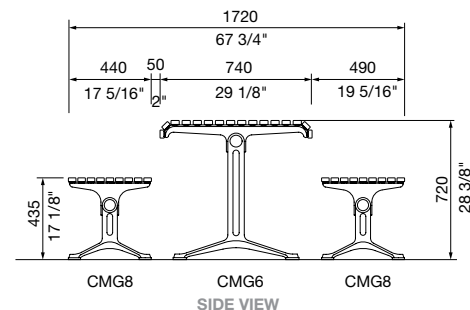
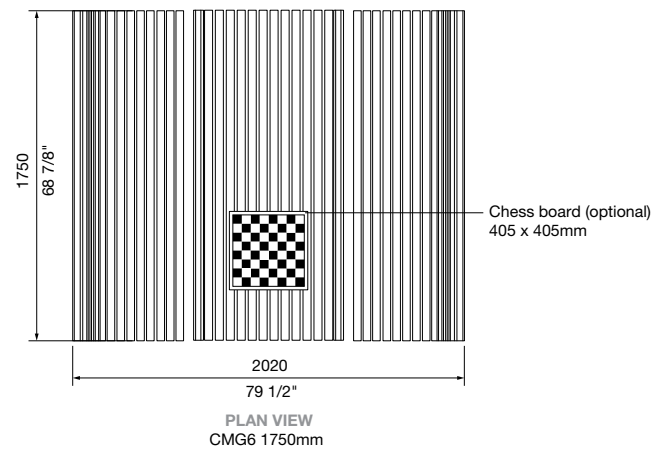
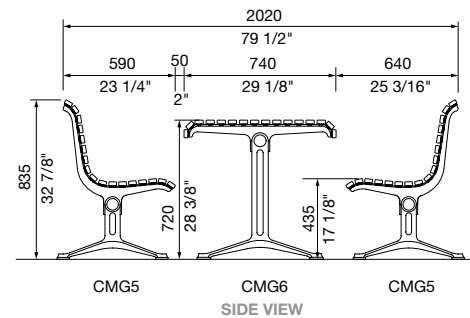
streetfurniture.com/au/product/classic-galleria-table/

Quick links:

streetfurniture.com/au/colour-chart/

streetfurniture.com/au/warranty/

streetfurniture.com/au/parts-promise/



SETTING OPTIONS

Classic picnic table with curved edges supported by strong, cast aluminium frames. Complies with AS1428.2-1992.

MCODE:
CMG6-DDA

DIMENSIONS:
740W x 850H x various lengths (mm)
29 1/8" W x 33 7/16" H x various lengths

Select one box per category to specify your product.

LENGTH:

- 1750mm | 68 7/8"
- 2100mm | 82 11/16"
- Tailored

FRAME:

- Cast aluminium powder coated
(see colour chart)

LEG AND MOUNTING:

- 08 Tee Table (DDA height)
 - Surface fixed
 - Subsurface fixed
 - Freestanding

BATTEN:

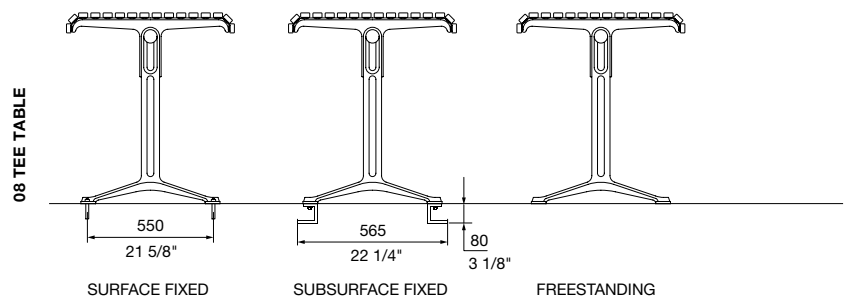
Street Furniture Australia uses sustainable timber from certified managed forests. Timber requires oiling every three months. For a timber look with low maintenance, choose aluminium woodgrain.

- Eco-certified hardwood oiled
- Aluminium anodised
- Aluminium powder coated *(see colour chart)*
- Aluminium woodgrain *(see colour chart)*
- Tailored

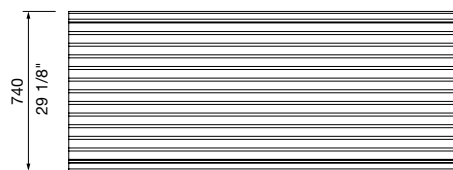
BATTEN END CAP:

Solid powder colour applies to aluminium battens only.

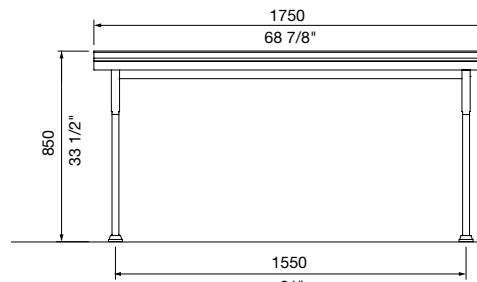
- Match batten colour
- Match frame colour
- Tailored *(see colour chart)*



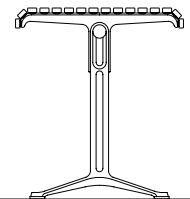
LEG AND MOUNTING OPTIONS



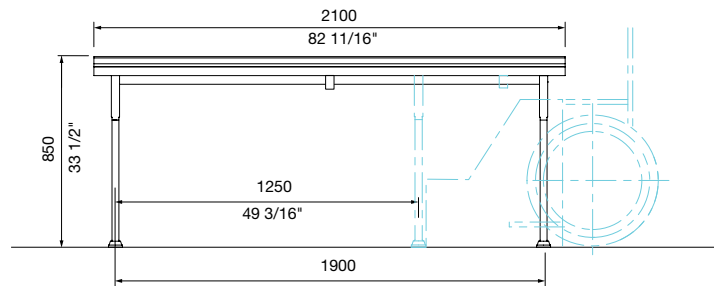
TOP VIEW
1750mm



FRONT VIEW
1750mm



SIDE VIEW
TEE TABLE LEG



FRONT VIEW
2100mm

WHEELCHAIR ACCESS:

DDA tables specified with end-access (one end or both ends) must be fixed to the ground - surface fixed, subsurface fixed or core drilled.

- Side access
- Access from 1 end
- Access from both ends (only for 2100mm)

COMPATIBLE SEATING:

- Classic Galleria DDA Seat (CMG5)
 - Post leg for DDA setting (CMG505)
 - Surface fixed with cast base
 - Surface fixed with base plate
 - Subsurface fixed with base plate
 - Core drilled (300mm below ground)
 - Tee leg for DDA setting (CMG506)
 - Surface fixed
 - Subsurface fixed
- Classic Galleria Bench (CMG4)
 - Post leg for DDA setting (CMG405)
 - Surface fixed with cast base
 - Surface fixed with base plate
 - Subsurface fixed with base plate
 - Core drilled (300mm below ground)
 - Tee leg for DDA setting (CMG406)
 - Surface fixed
 - Subsurface fixed
- Classic Galleria Slim Bench (CMG8)
 - Splay Narrow leg (CMG803)
 - Surface fixed
 - Subsurface fixed
 - Post leg for DDA setting (CMG805)
 - Surface fixed with cast base
 - Surface fixed with base plate
 - Subsurface fixed with base plate
 - Core drilled (300mm below ground)
 - Tee Narrow leg for DDA setting (CMG809)
 - Surface fixed
 - Subsurface fixed

CHESS BOARD:

- None
- Anodised Aluminium Chess Board
405mm x 405mm | 15 15/16" x 15 15/16"

Some options incur additional fees and lead time.

Need more information?

For a brochure, image gallery, CAD downloads, installation and maintenance guides, go to:
streetfurniture.com/au/product/classic-galleria-dda-table/

Quick links:

- streetfurniture.com/au/colour-chart/
- streetfurniture.com/au/warranty/
- streetfurniture.com/au/parts-promise/

