

arquá dog bubbler

This is a carbon neutral product.



Sculptural, high-tech fountain that supplies water for drinking and refilling containers. Pets can rehydrate via the bubbler at the base of the fountain.

Arqua Fountain adheres to DDA and is wheelchair-friendly.

DIMENSIONS:

770L x 450W x 1125H (mm)
30 1/4" L x 17 3/4" W x 44 1/4" H

Select one box per category to specify your product.

BODY:

[See Colour Chart](#)

- Stainless 304 Powder Coated
- Stainless 316 Powder Coated
- Stainless 316 Electropolished

HEIGHT:

- 1125mm | 44 1/4" (Standard)
- 780mm | 30 11/16" (Child)
- Tailored

SPOUT AND BUTTON:

- Stainless 316 Bright Polished

Some options incur additional fees and lead time.

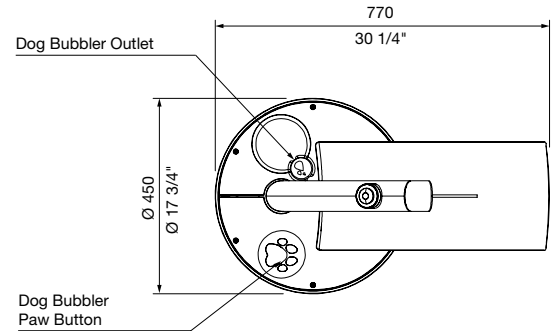
The Arqua fountain range adheres to Australian drinking water guidelines. Drinking water connected must be at a 7pH level for human consumption. Recommended operating temperature range from 5°C to maximum 60°C. Recommended operating pressure is minimum 0.5 bar (50Kpa) to maximum 5 bar (500Kpa). Installer must check pressure from the relief valve as required. The Dog Bubbler is not suitable for human consumption.

Need more information?

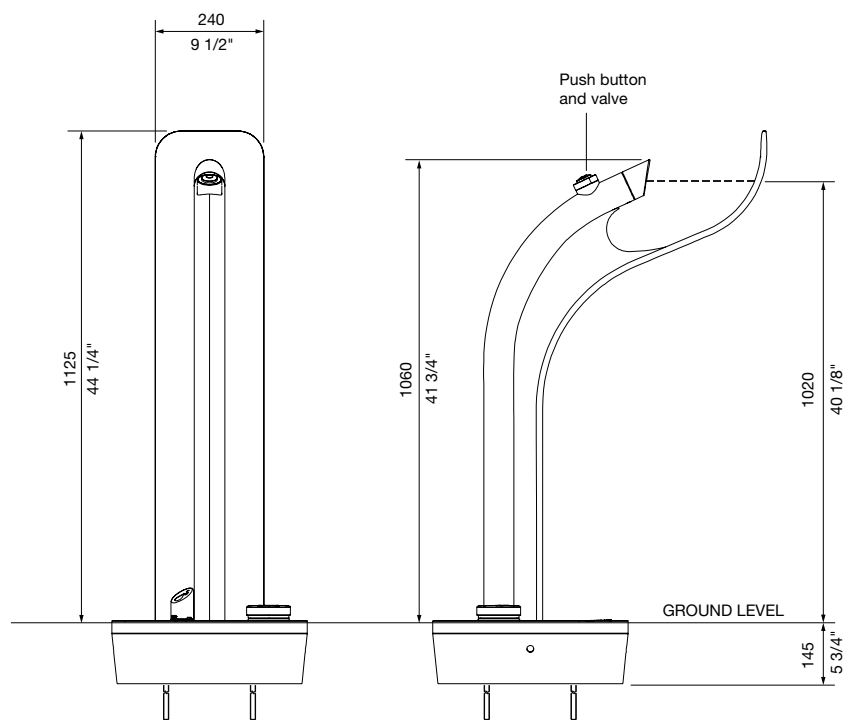
For a brochure, image gallery, CAD downloads, installation and maintenance guides, go to: streetfurniture.com/au/product/arqua-dog-bubbler/

Quick links:

streetfurniture.com/au/colour-chart/
streetfurniture.com/au/warranty/



TOP VIEW



FRONT VIEW

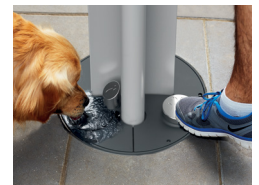
SIDE VIEW



DRINK



REFILL



HYDRATE