

Strong, sleek and minimalist planters in a wide range of sizes, shapes and colours. Liners included with optional wicking bed for self-watering. Integrated adjustable leg assists with levelling on ground plane.

MCODE: LP3, LP3-BAT

Select one box per category to specify your product.

CONFIGURATION:

Square

- Square S
445L x 445W x 435H (mm)
17 1/2" W x 17 1/2" L x 17 1/8" H
- Square M
640L x 640W x 650H (mm)
25 1/4" W x 25 1/4" L x 25 5/8" H
- Square L
900L x 900W x 650H (mm)
35 3/8" W x 35 3/8" L x 25 5/8" H
- Square XL
900L x 900W x 940H (mm)
35 3/8" W x 35 3/8" L x 37" H

Rectangular

- Rectangular S
900L x 445W x 435H (mm)
35 3/8" W x 17 1/2" L x 17 1/8" H
- Rectangular M
900L x 445W x 650H (mm)
35 3/8" W x 17 1/2" L x 25 5/8" H
- Rectangular L
900L x 445W x 940H (mm)
35 3/8" W x 17 1/2" L x 37" H

Long Rectangular

- Long Rectangular S
1200L x 445W x 435H (mm)
47 1/4" W x 17 1/2" L x 17 1/8" H
- Long Rectangular M
1200L x 445W x 650H (mm)
47 1/4" W x 17 1/2" L x 25 5/8" H
- Long Rectangular L
1200L x 445W x 940H (mm)
47 1/4" W x 17 1/2" L x 37" H

- Tailored

BODY:

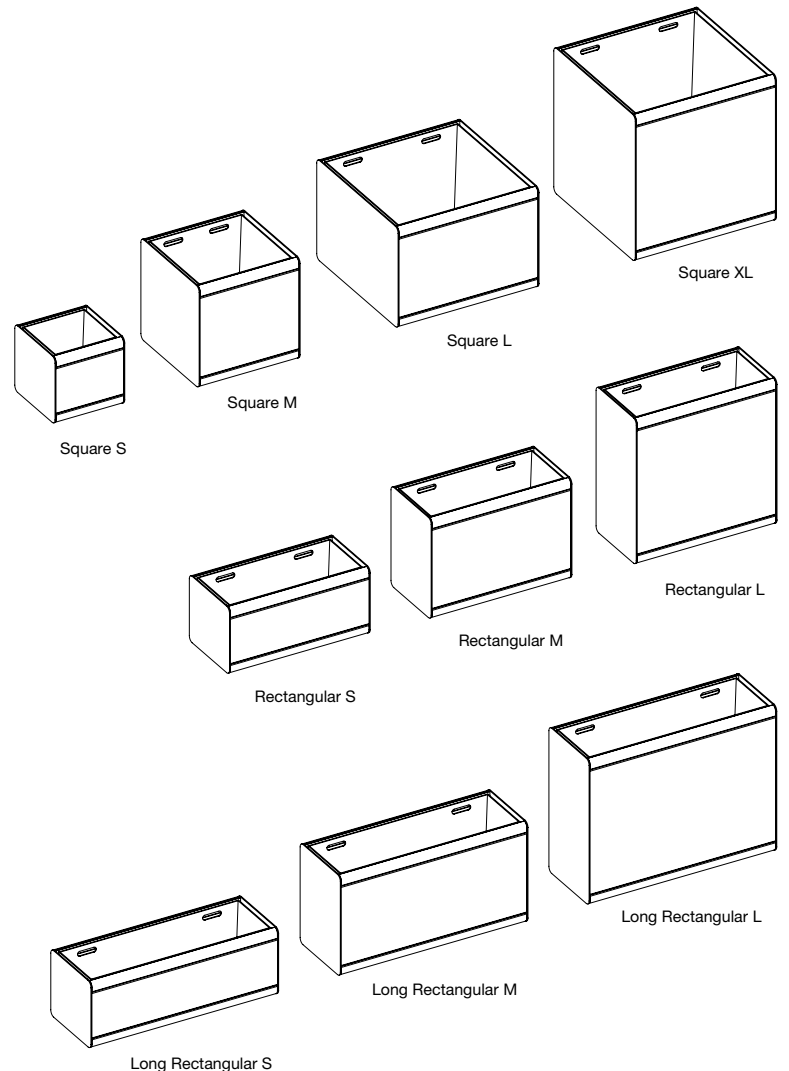
- Battened
- Solid
- Perforated (custom)
[Download template here](#)

BATTEN:

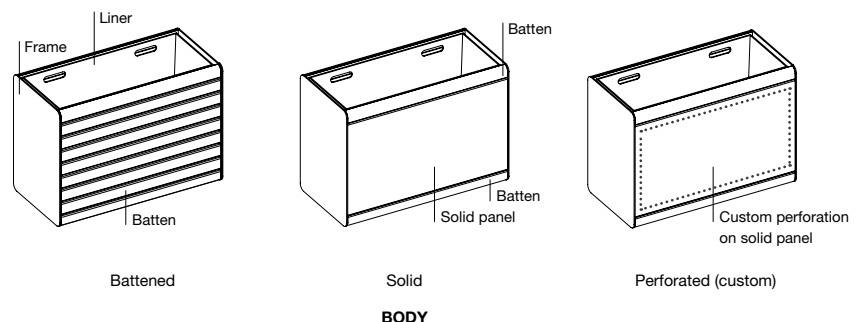
[See colour chart](#)

Street Furniture Australia uses sustainable timber from certified managed forests. Timber requires oiling every three months.

- Eco-certified hardwood oiled
- Aluminium anodised
- Aluminium powder coated
- Aluminium woodgrain



CONFIGURATIONS



BODY

FRAME:

[See colour chart](#)

Fabricated aluminium powder coated

MOUNTING:

Universal adjustable leg that can be surface fixed or freestanding.

LINER:

Black polyliner. Square L and XL come with black metal liner.

OPTIONAL EXTRAS:

Additional cost applies.

- WaterUps® Wicking Bed

Integrated in the liner with 130mm depth.

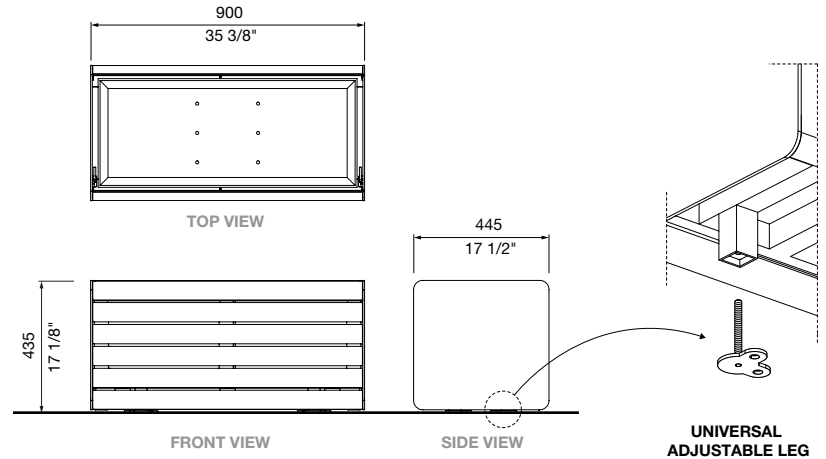
- Drip tray

- Skirting

Only available for slopes up to 3°.

Not compatible with drip tray.

Some options incur additional fees and lead time.



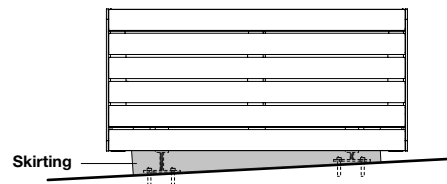
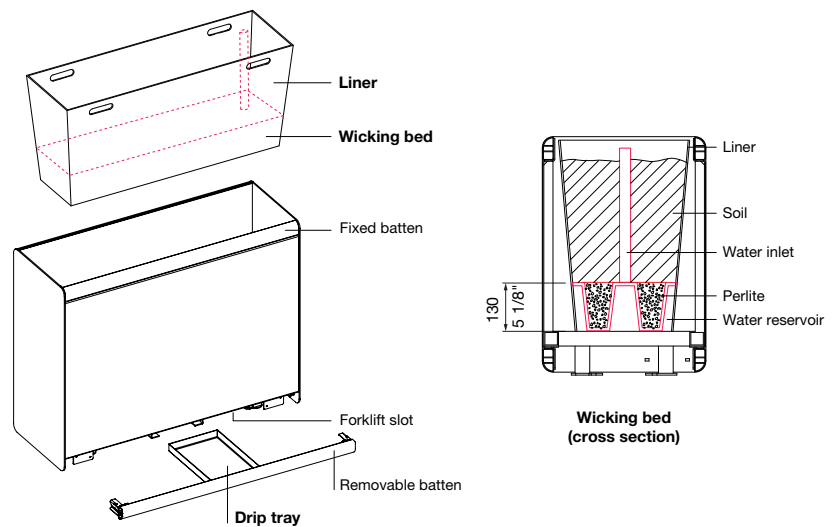
Need more information?

For a brochure, image gallery, CAD downloads, installation and maintenance guides, go to: streetfurniture.com/au/product/linea-planter/

Quick links:

streetfurniture.com/au/colour-chart/

streetfurniture.com/au/warranty/



A floating skirt, powder coated in black, hides adjustable legs on inclined surfaces.

OPTIONAL EXTRAS