

Our most premium range features vertical quarter-bullnose timber battens supported by incredibly strong stainless steel frames. Available in many lengths, colours and mounting types.

MCODE:
LVB6

DIMENSIONS:
445W x 430H x various lengths (mm)
17 1/2" W x 17" H x various lengths

WEIGHT:
Approximate only and depends on materials selected.
9 kg - 42 kg | 20 lbs - 93 lbs

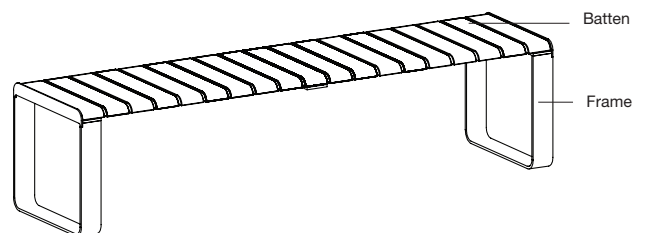
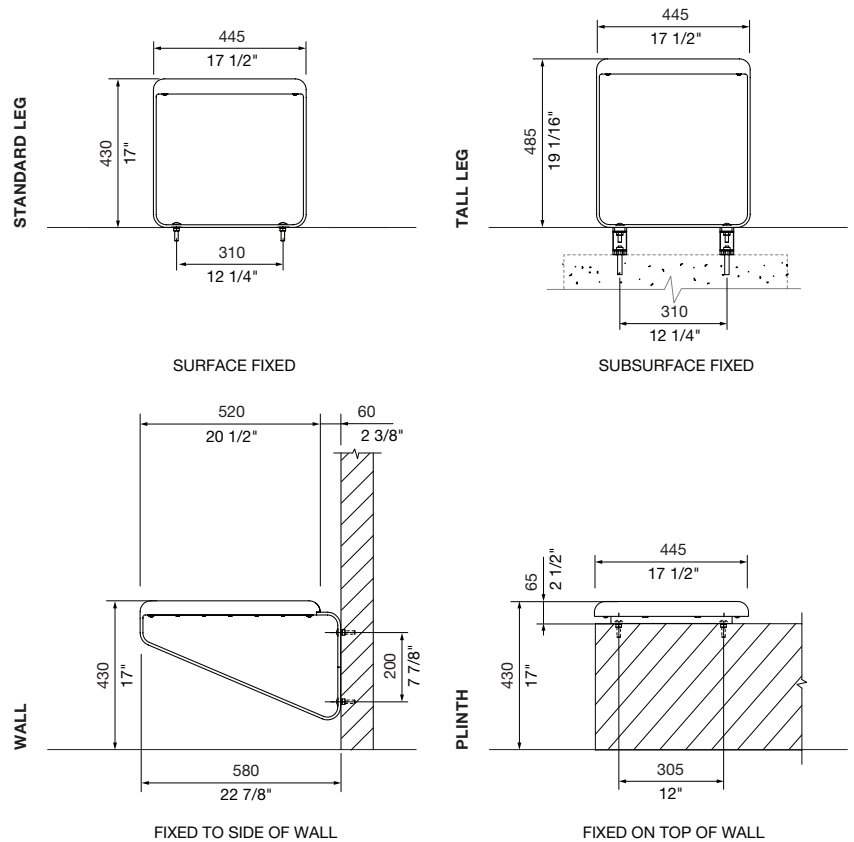
Select one box per category to specify your product.

LEGS AND MOUNTING:

- Standard Leg
 - Surface fixed
 - Subsurface fixed
 - Freestanding
- Tall Leg
 - Surface fixed
 - Subsurface fixed
 - Freestanding
- Wall
 - Fixed to side of wall
- Plinth
 - Fixed to top of wall

FRAME:
 Stainless 304 powder coated ([see colour chart](#))

BATTEN:
Street Furniture Australia uses sustainable timber from certified managed forests. Timber requires oiling every three months.
Australian Spotted Gum, hardwood oiled (PEFC)



LINEA BENCH
3-seater 1800mm

LENGTH:

- 1-seater 660mm | 26"
- 2-seater 1200mm | 47 1/4"
- 2.5-seater 1500mm | 59"
- 3-seater 1800mm | 70 7/8"
- 3.5-seater 2100mm | 82 5/8"
- Tailored

Some options incur additional fees and lead time.

Need more information?

For a brochure, image gallery, CAD downloads, installation and maintenance guides, go to: streetfurniture.com/product/linea-vt-bench/

Quick links:

- streetfurniture.com/au/colour-chart/
- streetfurniture.com/au/warranty/
- streetfurniture.com/au/parts-promise/

