

# linea sun lounge



Relax on a Linea Sun Lounge at the park, poolside or on campus. Available with Wood Without Worry, coloured and anodised aluminium or eco-certified hardwood battens supported by strong stainless steel frames.

**DIMENSIONS:**  
 1550L x 620W x 1000H (mm)  
 61" L x 24 3/8" W x 39 3/8" H

Select one box per category to specify your product.

**FRAME:**

[See Colour Chart](#)

- Stainless 304 Powder Coated
- Stainless 316 Powder Coated

**BATTEN:**

- Aluminium Woodgrain [See Colour Chart](#)
- Aluminium Powder Coated [See Colour Chart](#)
  - Single Colour
  - Multicolour
- Aluminium Anodised
- Eco-certified Hardwood Oiled\*

\*Sourced from certified managed forests (PEFC or FSC). Hardwood needs re-oiling every 3 months. For a wood look with low maintenance, choose Aluminium Woodgrain (also known as Wood Without Worry).

**SIDE TABLE:**

Left and right is based on the perspective of the user sitting on the sun lounge.

- None
- Left-Hand Side
- Right-Hand Side

**MOUNTING:**

- Freestanding
- Surface Fixed
- Subsurface Fixed

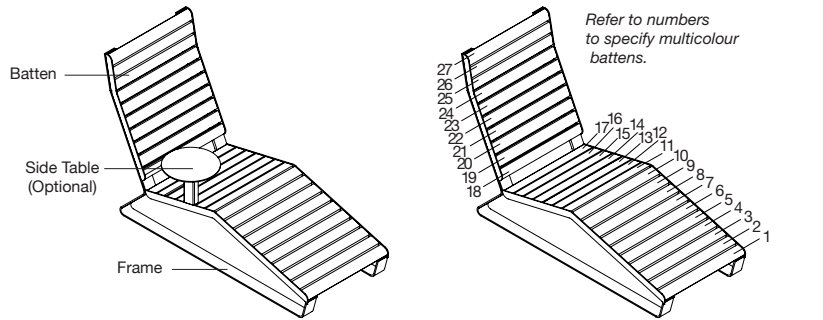
Some options incur additional fees and lead time.

**Need more information?**

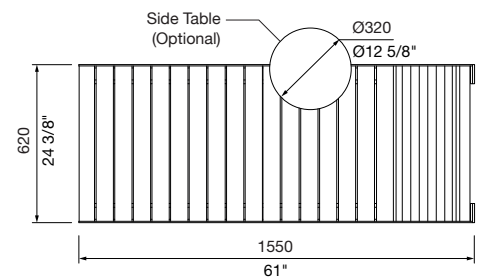
For a brochure, image gallery, CAD downloads, installation and maintenance guides, go to: [streetfurniture.com/au/product/linea-sun-lounge/](http://streetfurniture.com/au/product/linea-sun-lounge/)

**Quick links:**

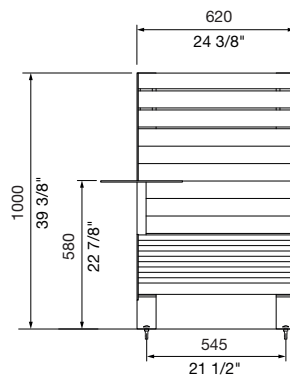
[streetfurniture.com/au/colour-chart/](http://streetfurniture.com/au/colour-chart/)  
[streetfurniture.com/au/warranty/](http://streetfurniture.com/au/warranty/)



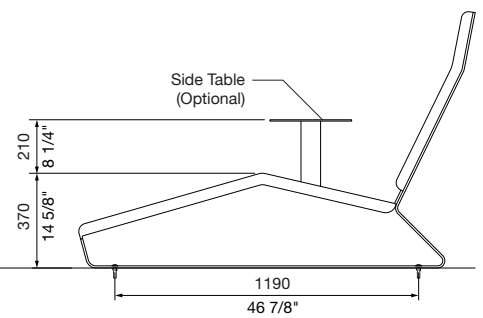
ISOMETRIC VIEW



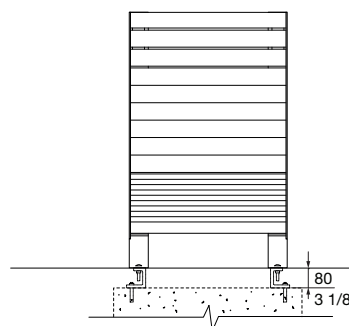
TOP VIEW



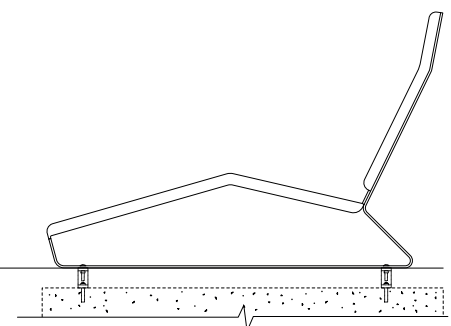
FRONT VIEW  
Surface Fixed



SIDE VIEW



FRONT VIEW  
Subsurface Fixed



SIDE VIEW