

# aria table

## street furniture™ technical sheets

<u>product name</u>	<u>mcode</u>	<u>page</u>
<a href="#">Aria Table</a>	<a href="#">CMA6</a>	<a href="#">2</a>
<a href="#">Aria DDA Table</a>	<a href="#">CMA6-DDA</a>	<a href="#">4</a>

**Create places to eat, work and dine with the Aria Table.**

MCODE:  
CMA6

DIMENSIONS:  
705 W x 720H x various lengths (mm)  
27 3/4" W x 28 3/8" H x various lengths

Select one box per category to specify your product.

**LENGTH:**

- 1800mm | 70 7/8"
- 2100mm | 82 11/16"
- Tailored

**LEGS AND MOUNTING:**

*Legs may require basic assembly on-site. Legs are fixed heights.*

- 14 Aria Pedestal Tall
  - Surface fixed
  - Subsurface fixed
- 15 Aria Splay Tall
  - Surface fixed
  - Subsurface fixed

**FRAME AND PANEL COLOUR:**

*Textura is highly recommended.*

- Cast aluminium powder coated  
([see colour chart](#))

**BATTEN:**

*Timber is exclusively sourced from FSC or PEFC certified managed forests only. Timber requires oiling every three months. For a timber look with low maintenance, choose aluminium Wood Without Worry.*

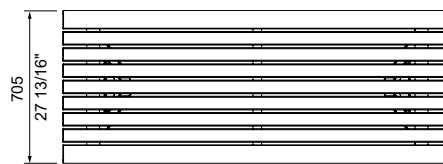
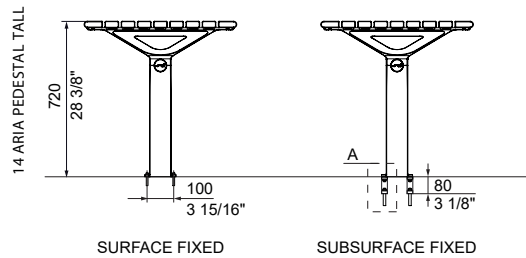
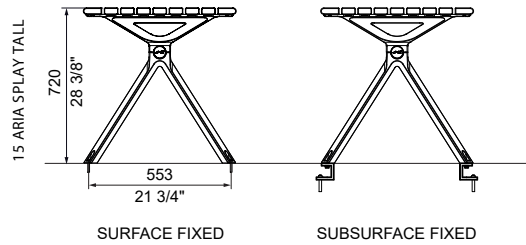
- Eco-certified hardwood oiled
- Aluminium anodised
- Aluminium powder coated ([see colour chart](#))
- Aluminium woodgrain ([see colour chart](#))
- Tailored

**BATTEN END CAP:**

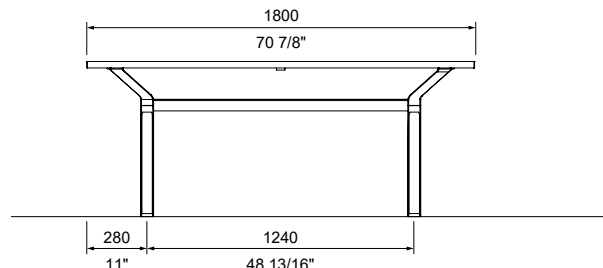
*Solid powder colour applies to aluminium battens only.*

- Match batten colour
- Match frame colour
- Tailored ([see colour chart](#))

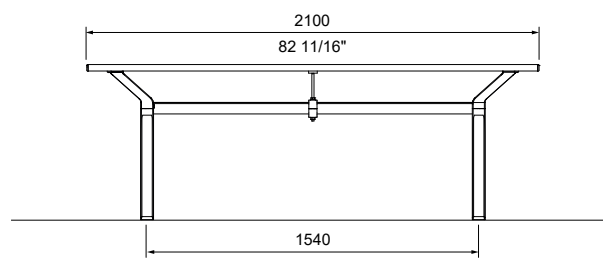
*Some options incur additional fees and lead time.*



**TOP VIEW**  
1800 mm



**FRONT VIEW**  
1800 mm



**FRONT VIEW**  
2100 mm

**COMPATIBLE SEATING:**

Refer to separate technical sheet.

- Aria Seat (CMA1)
- Aria Bench (CMA4)

**CHESS BOARD:**

- None
- Anodised Aluminium Chess Board  
405mm x 405mm | 15 15/16" x 15 15/16"

Some options incur additional fees and lead time.

**Need more information?**

For a brochure, image gallery, CAD downloads, installation and maintenance guides, go to:

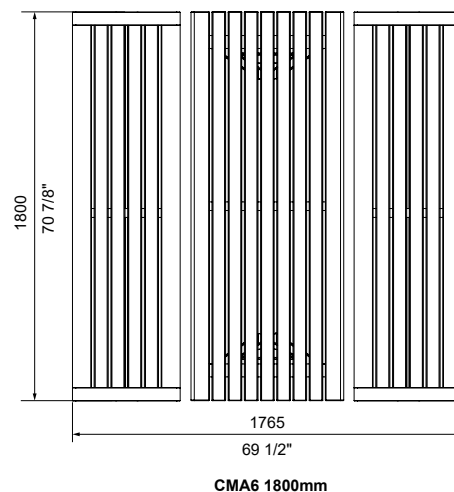
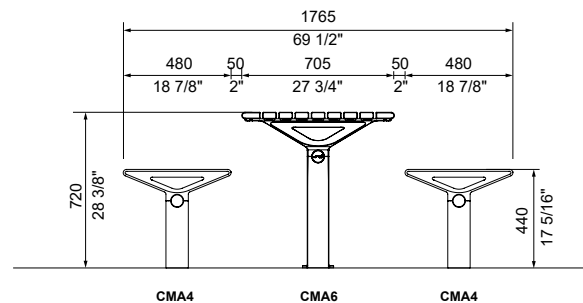
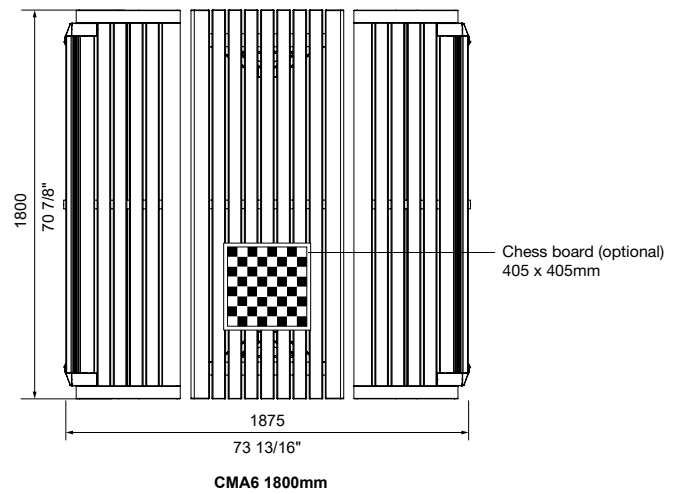
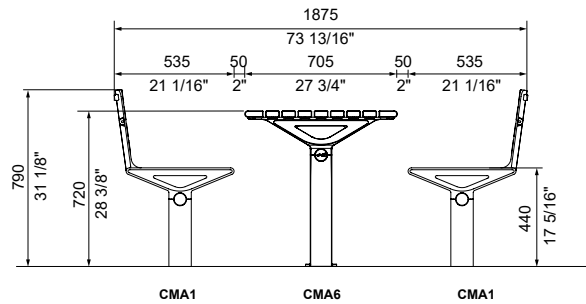
[streetfurniture.com/au/product/aria-table/](http://streetfurniture.com/au/product/aria-table/)

**Quick links:**

[streetfurniture.com/au/colour-chart/](http://streetfurniture.com/au/colour-chart/)

[streetfurniture.com/au/warranty/](http://streetfurniture.com/au/warranty/)

[streetfurniture.com/au/parts-promise/](http://streetfurniture.com/au/parts-promise/)



Create places to eat, work and dine with the Aria Table. Complies with DDA requirements for wheelchair access.

MCODE:  
CMA6-DDA

DIMENSIONS:  
705W x 830H x various lengths (mm)  
27 3/4" W x 32 11/16" H x various lengths

Select one box per category to specify your product.

**LENGTH:**

- 1800mm | 70 7/8"
- 2100mm | 82 11/16"
- Tailored

**LEGS AND MOUNTING:**

*Legs may require basic assembly on-site. Legs are fixed heights.*

- 14 Aria Pedestal Tall
  - Surface fixed
  - Subsurface fixed

**FRAME AND PANEL COLOUR:**

*Textura is highly recommended.*

- Cast aluminium powder coated  
*(see colour chart)*

**BATTEN:**

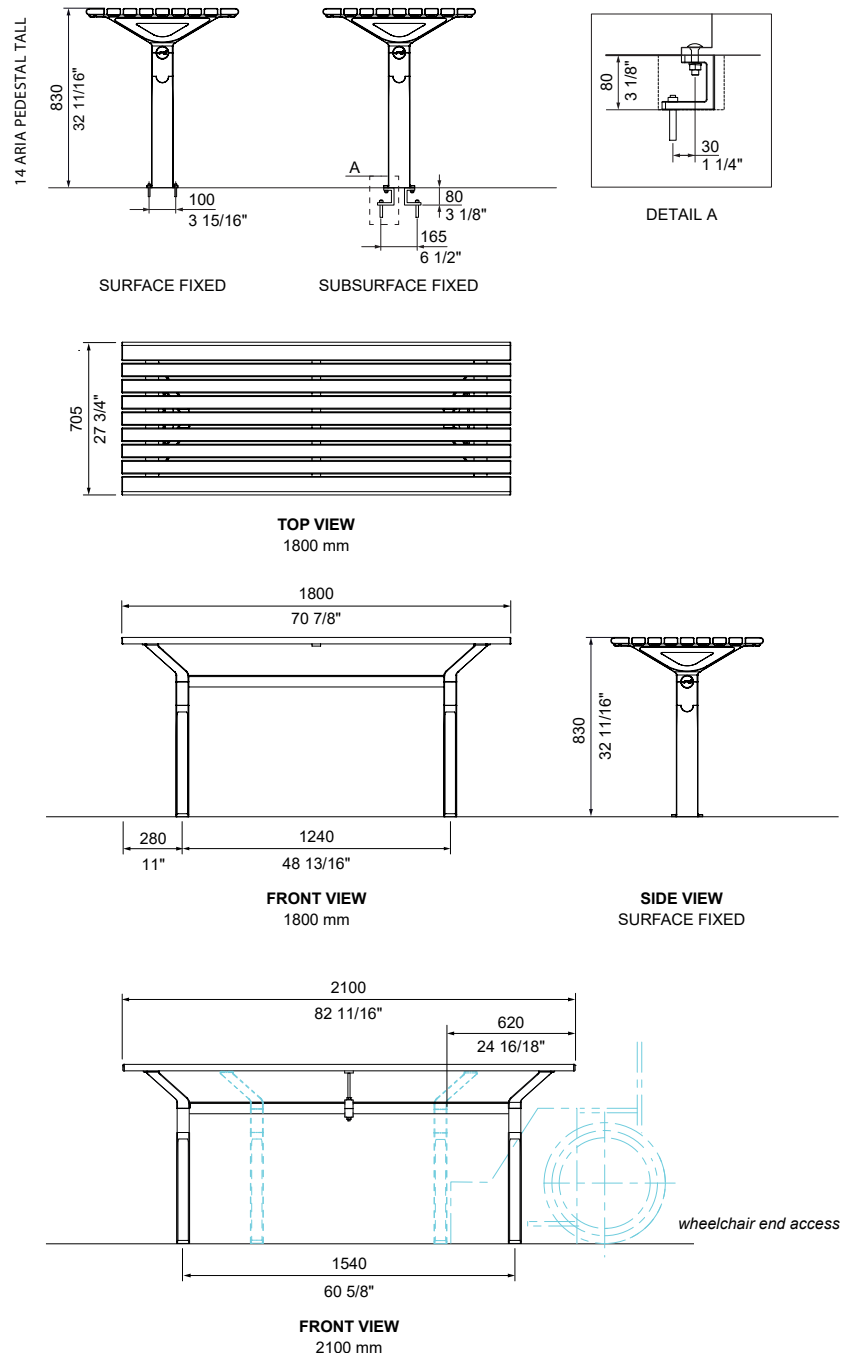
*Timber is exclusively sourced from FSC or PEFC certified managed forests only. Timber requires oiling every three months. For a timber look with low maintenance, choose aluminium Wood Without Worry.*

- Eco-certified hardwood oiled
- Aluminium anodised
- Aluminium powder coated *(see colour chart)*
- Aluminium woodgrain *(see colour chart)*
- Tailored

**BATTEN END CAP:**

*Solid powder colour applies to aluminium battens only.*

- Match batten colour
- Match frame colour
- Tailored *(see colour chart)*



### WHEELCHAIR ACCESS:

DDA tables specified with end-access (one end or both ends) must be fixed to the ground - surface fixed, subsurface fixed or core drilled.

- Side access
- Access from 1 end
- Access from both ends (only for 2100mm)

### COMPATIBLE SEATING:

Benches are 485mm high to suit a taller DDA table. Refer to separate technical sheet.

- Aria Seat with Pedestal for DDA setting leg (CMA114)
- Aria Bench with Pedestal for DDA setting leg (CMA414)

### CHESS BOARD:

- None
- Anodised Aluminium Chess Board  
405mm x 405mm | 15 15/16" x 15 15/16"

Some options incur additional fees and lead time.

### Need more information?

For a brochure, image gallery, CAD downloads, installation and maintenance guides, go to:  
[streetfurniture.com/au/product/aria-dda-table/](http://streetfurniture.com/au/product/aria-dda-table/)

### Quick links:

- [streetfurniture.com/au/colour-chart/](http://streetfurniture.com/au/colour-chart/)
- [streetfurniture.com/au/warranty/](http://streetfurniture.com/au/warranty/)
- [streetfurniture.com/au/parts-promise/](http://streetfurniture.com/au/parts-promise/)

