

aria bench

This is a carbon neutral product.



The Aria range is a contemporary yet highly durable solution for the public realm.

Aria products are a part of a modular furniture system. To create your own shape and size, visit build.streetfurniture.com

DIMENSIONS:

485W x 440H x various lengths (mm)
19 1/8" W x 17 5/16" H x various lengths

Select one box per category to specify your product.

LENGTH:

- 1B, 600 mm | 23 5/8"
- 2B, 1200 mm | 47 1/4"
- 3B, 1800 mm | 70 7/8"
- 3.5B, 2100 mm | 82 5/8"
- 2B-2B, 2400 mm | 94 1/2"

LEGS AND MOUNTING:

Legs may require basic assembly on-site.

- 12 Aria Splay
 - Surface fixed
 - Subsurface fixed
 - Freestanding
- 13 Aria Pedestal
 - Surface fixed
 - Subsurface fixed
- 16 Aria Pedestal Tall*
 - Surface fixed
 - Subsurface fixed
- 17 Aria Plinth**
 - Plinth fixed

*Suitable for wheelchair access picnic setting.

**Concrete plinth is not included.

FRAME AND PANEL COLOUR:

[See colour chart](#)

Textura is highly recommended.

- Cast aluminium powder coated

BATTEN:

- Aluminium Woodgrain [See Colour Chart](#)
- Aluminium Powder Coated [See Colour Chart](#)
- Aluminium Anodised
- Eco-certified Hardwood Oiled*

*Sourced from certified managed forests (PEFC or FSC). Hardwood needs re-oiling every 3 months.

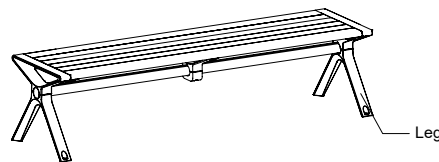
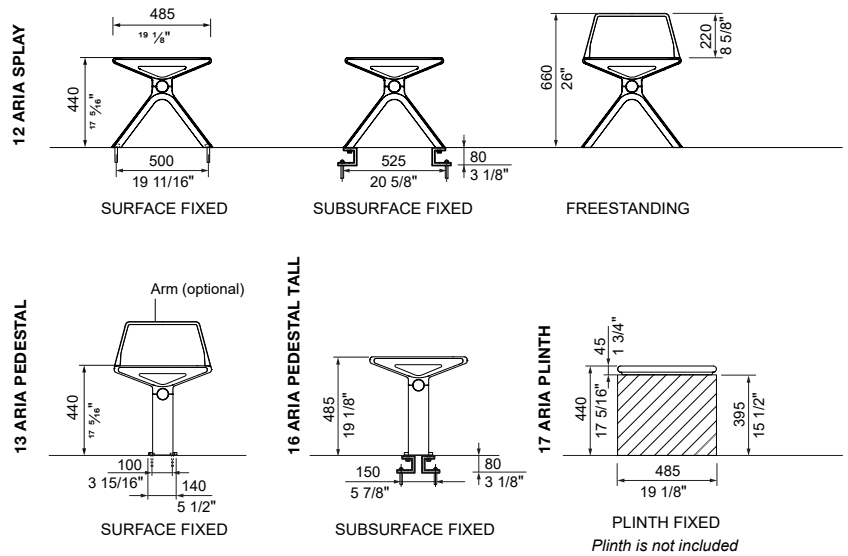
For a wood look with low maintenance, choose Aluminium Woodgrain (also known as Wood Without Worry).

ARM:

Dark colours are not recommended for areas in constant direct sunlight.

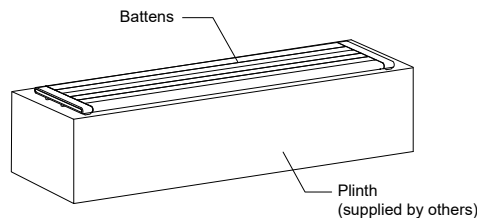
- None
- 2 end arms, in same finish as frame
- 1 middle arm (2B-2B only)
- 3 arms (2B-2B only)

Some options incur additional fees and lead time.



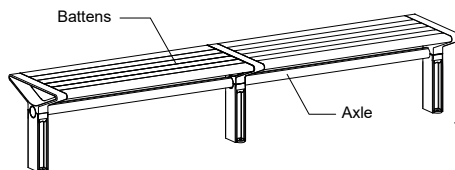
STANDARD

3-seater, Splay legs
3B



STANDARD

3-seater, Plinth fixed
3B



STANDARD

4-seater, Pedestal legs
2B-2B

aria bench



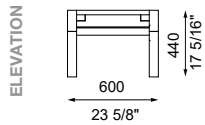
PRE-CONFIGURATIONS:

Lengths that exceed 2100mm or 82 1/4" will be delivered in parts for assembly on-site.

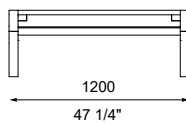
- 1 : 1-seater C180 : Connect with 180° Panel S : Seat (with backrest)
- 2 : 2-seater C45 : Connect with 45° Panel B : Bench (no backrest)
- 3 : 3-seater C90 : Connect with 90° Panel R : Reversed
- 3.5 : 3.5-seater

Standard

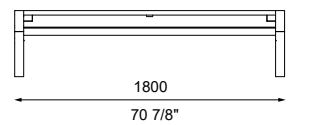
□ 1B



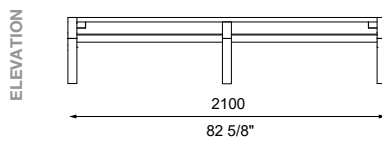
□ 2B



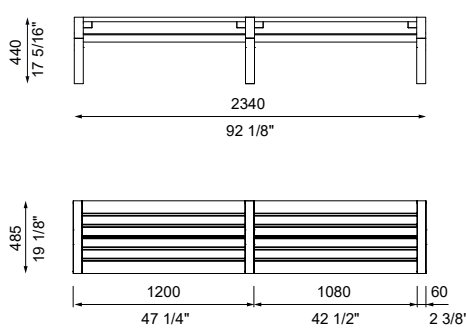
□ 3B



□ 3.5B

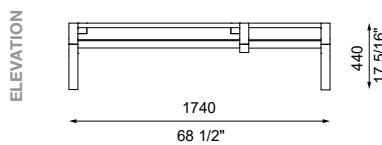


□ 2B-2B

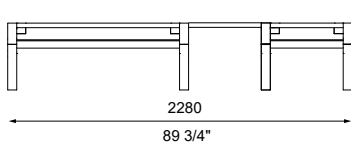


Connect 180

□ 2B-C180



□ 2B-C180-1B



aria bench



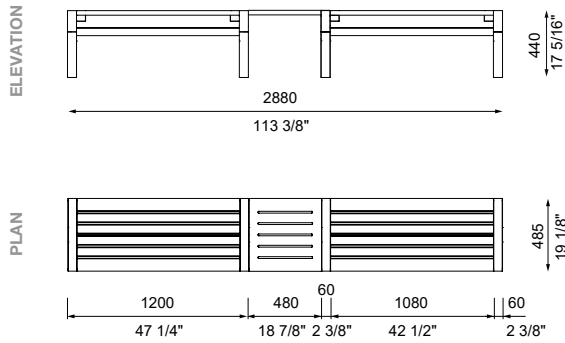
PRE-CONFIGURATIONS:

Lengths that exceed 2100mm or 82 1/4" will be delivered in parts for assembly on-site.

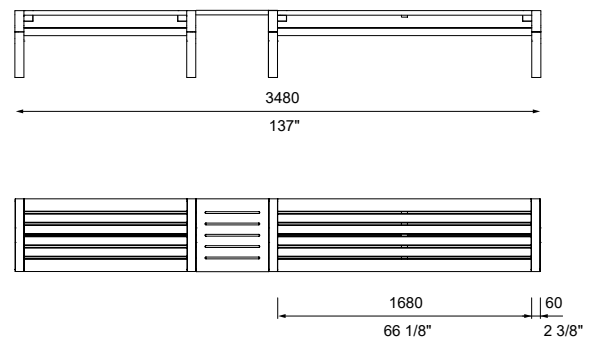
- 1 : 1-seater C180 : Connect with 180° Panel S : Seat (with backrest)
- 2 : 2-seater C45 : Connect with 45° Panel B : Bench (no backrest)
- 3 : 3-seater C90 : Connect with 90° Panel R : Reversed
- 3.5 : 3.5-seater

Connect 180 (continued)

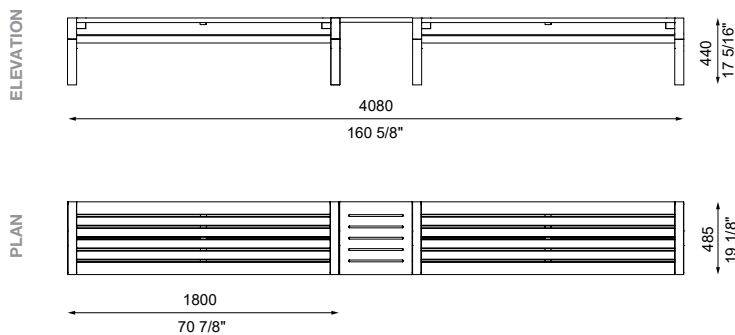
□ 2B-C180-2B



□ 2B-C180-3B



□ 3B-C180-3B



Need more information?

For a brochure, image gallery, CAD downloads, installation and maintenance guides, go to:

streetfurniture.com/au/product/aria-bench/

Quick links:

streetfurniture.com/au/colour-chart/

streetfurniture.com/au/warranty/