

# traditional bollard

Our bestselling bollard offers simplicity and timeless appeal.

MCODE: B4

**DIMENSIONS:**

250L x 250W x 950H (mm)  
 9 7/8" L x 9 7/8" W x 37 3/8" H

Select one box per category to specify your product.

**MOUNTING:**

- Surface fixed
- Subsurface fixed
- Removable surface fixed
- Removable in-ground
- Tailored

**REFLECTIVE STRIP:**

Not compatible with a Textura powder coated frame.

- None (standard)
- Red
- Yellow
- White

**BODY:**

[See Colour Chart](#)

- Cast aluminium powder coated

**EYENUT:**

- None
- Qty 1
- Qty 2 (180° apart)
- Tailored

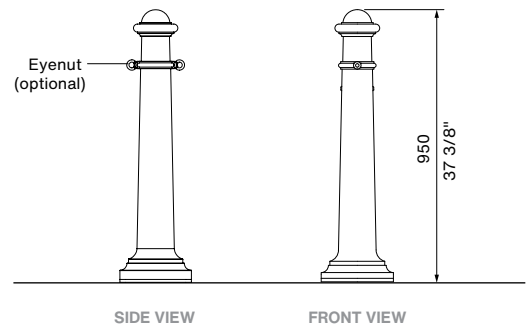
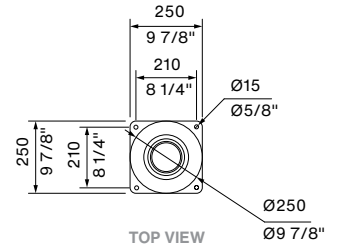
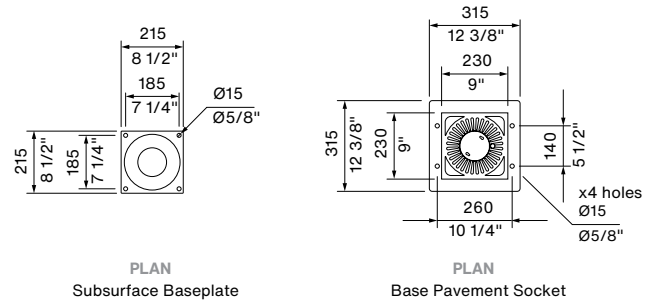
Some options incur additional fees and lead time.

**Need more information?**

For a brochure, image gallery, CAD downloads, installation and maintenance guides, go to: [streetfurniture.com/au/product/traditional-bollard/](http://streetfurniture.com/au/product/traditional-bollard/)

**Quick links:**

[streetfurniture.com/au/colour-chart/](http://streetfurniture.com/au/colour-chart/)  
[streetfurniture.com/au/warranty/](http://streetfurniture.com/au/warranty/)



**MOUNTING**

