

piatto stool



The Piatto Stool is a sleek yet robust addition to the Piatto outdoor dining collection. Its cast aluminum frame elegantly encases battens in a stylish wine glass silhouette. Available as either a fixed or movable piece in neutral and vibrant colours.

Also available as a bar stool.

MCODE: PS1

DIMENSIONS:

Ø360W x various heights (mm)
 Ø14 1/8" W x 17 3/4" H

Select one box per category to specify your product.

HEIGHT:

- Standard Stool, 450mm | 17 3/4"
- Bar Stool with Footrest, 750mm | 29 1/2"
- Tailored

TOP:

- Battered 85x30 - Standard (matches Piatto and Park range)
- Battered 63x30 (matches Linea, Aria and Mall range)
- Solid

BATTEN:

Eco-certified Wood*

- WoodPlus™ (Engineered Wood, FSC)
 - Raw
 - Oiled
- Hardwood, Oiled (PEFC)

Low-carbon Aluminium**

- Aluminium Woodgrain [See Colour Chart](#)
- Aluminium Powder Coated [See Colour Chart](#)
 - Single Colour
 - Multicolour
- Aluminium Anodised

*Oiled wood needs re-oiling every 3 months, while raw wood can be left to silver naturally. For a fade-resistant, low-maintenance timber look, choose Aluminium Woodgrain (also known as Wood Without Worry™).

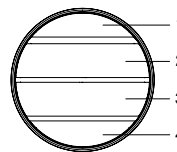
**Low-carbon aluminium is produced using renewable energy instead of fossil fuels and is infinitely recyclable.

BASE AND MOUNTING:

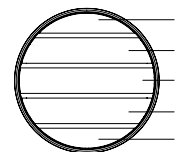
- Cast Base
 - Freestanding**
 - Surface Fixed
- Baseplate
 - Surface Fixed
 - Subsurface Fixed
- Core Drilled (300mm Below Ground)

**Bar Stool is supplied with a weighted base.

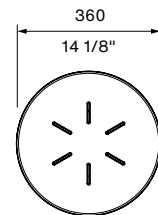
Refer to numbers to specify multicolour battens.



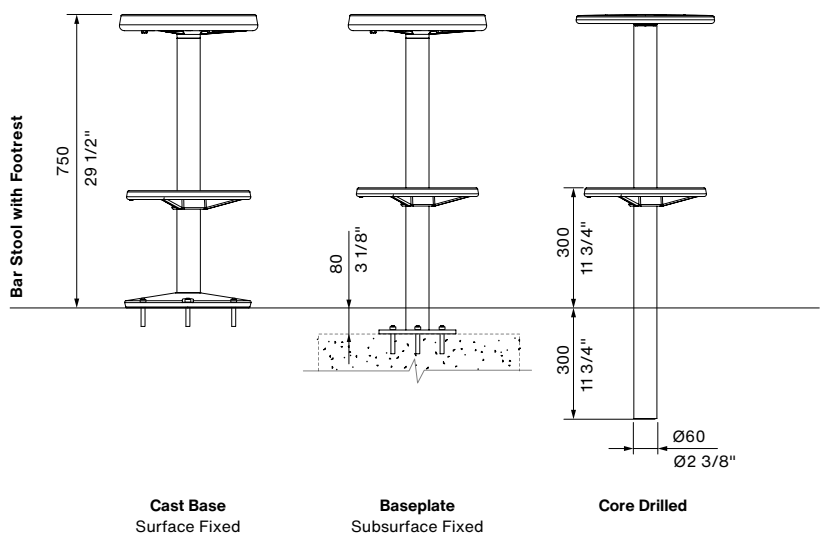
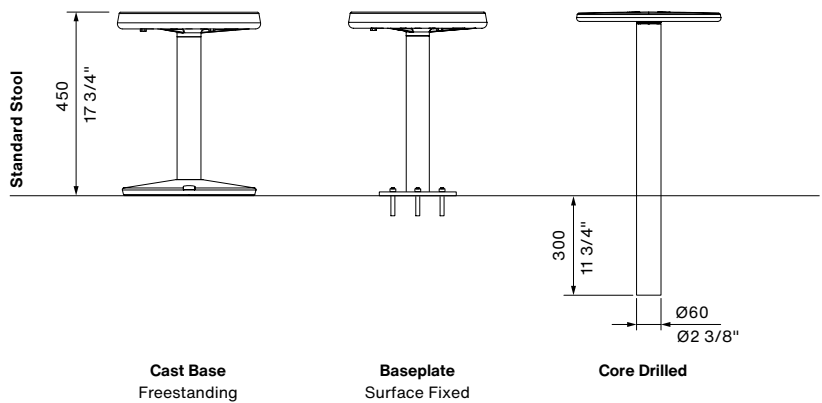
TOP VIEW
Battered
85x30mm



TOP VIEW
Battered
63x30mm



TOP VIEW
Solid



BASE AND MOUNTING OPTIONS

piatto stool



FRAME COLOUR:

Aluminium Powder Coated [See Colour Chart](#)

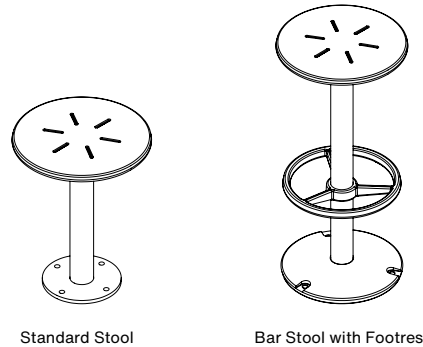
Some options incur additional fees and lead time.

Need more information?

For a brochure, image gallery, CAD downloads, installation and maintenance guides, go to:
streetfurniture.com/au/product/piatto-stool
streetfurniture.com/au/product/piatto-bar-stool

Quick links:

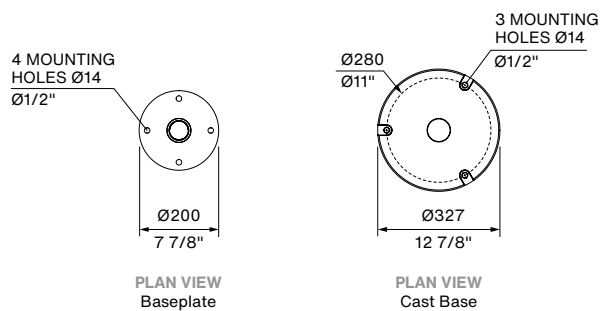
streetfurniture.com/au/colour-chart/
streetfurniture.com/au/warranty/



Standard Stool

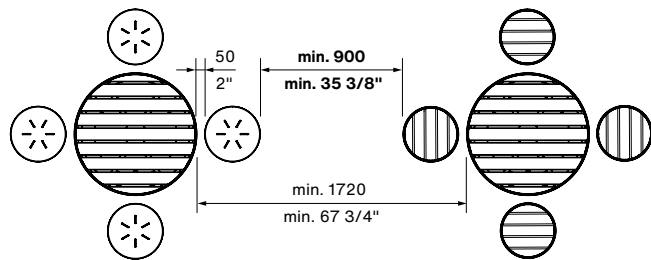
Bar Stool with Footrest

ISOMETRIC VIEW

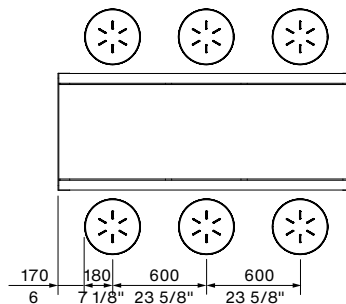


CONFIGURATION EXAMPLES

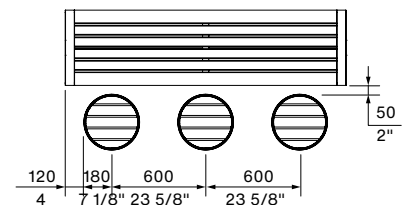
NOTE: Allow a minimum spacing of 900mm for circulation paths and 460mm between grouped settings to ensure comfort and accessibility.



Piatto Table with Piatto Stool



Piatto Stool with Linea Table 1900L



Piatto Stool with Aria Lookout Table 1800L