

# mall bench



Comfortable and timeless, this versatile bench is suitable for a range of public environments.

MCODE: CMM4

**DIMENSIONS:**

615W x 435H x various lengths (mm)  
 24 3/16" W x 17 1/8" H x various lengths

Select one box per category to specify your product.

**LEG AND MOUNTING:**

- Splay
    - Surface Fixed
    - Subsurface Fixed
    - Freestanding
  - Arch
    - Surface Fixed
    - Subsurface Fixed
    - Freestanding
  - Tee\*
    - Surface Fixed
    - Subsurface fixed
    - Freestanding
  - Pedestal
    - Surface Fixed
    - Subsurface Fixed
  - Post\*
    - Surface Fixed with Cast Base
    - Subsurface Fixed with Baseplate
    - Core Drilled (300mm Below Ground)
  - Wall (Fixed to Side of Wall)
  - Plinth (Fixed on Top of Wall)
- \*Specify 'Tee Leg for DDA Setting' or 'Post Leg for DDA Setting' to match a taller table, i.e., wheelchair accessible setting.

**FRAME:**

- [See Colour Chart](#)
- Cast Aluminium Powder Coated

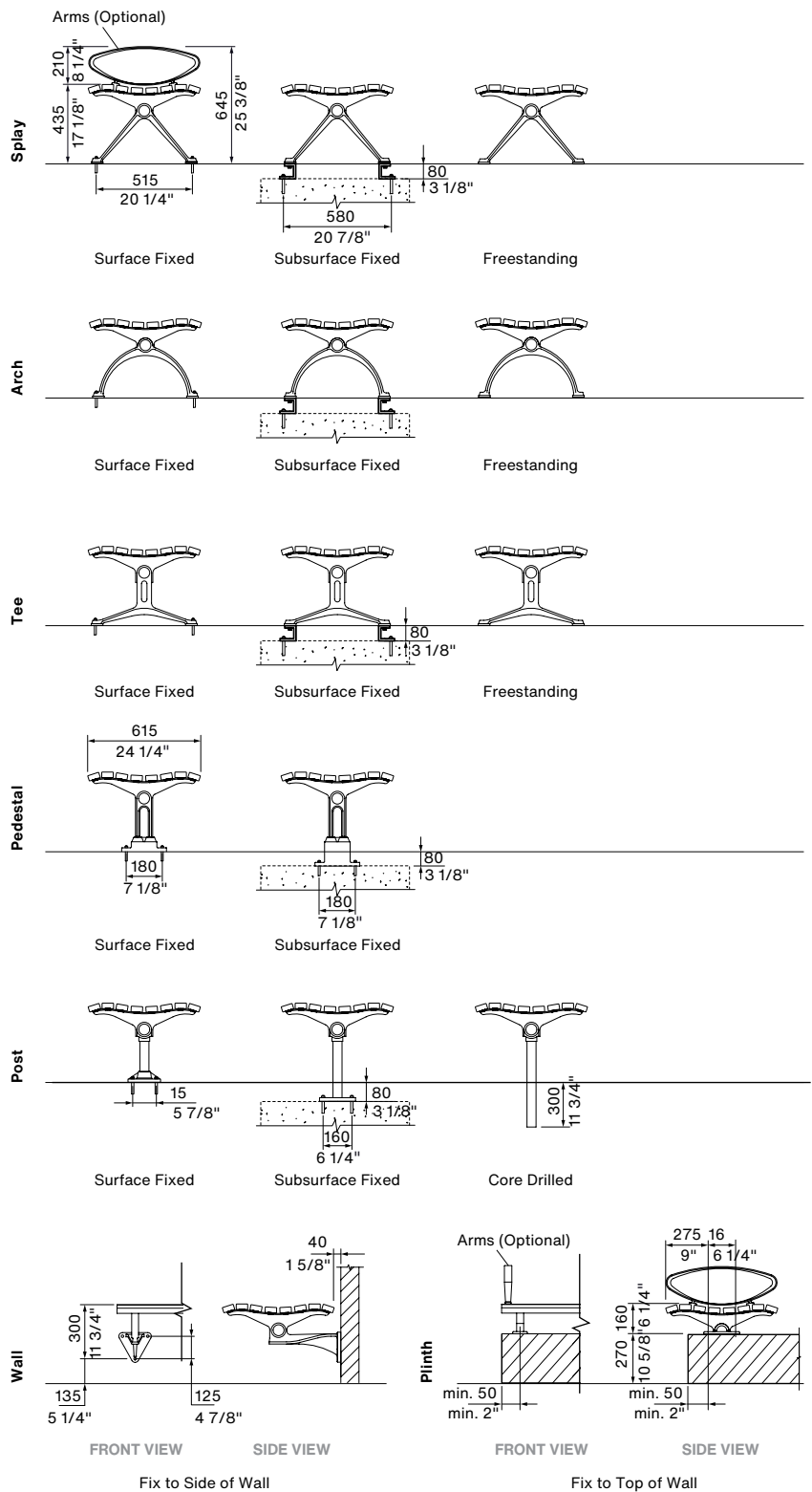
**ARM:**

- None
- Bolt-on Elliptical Arms
  - Powder Coated [See Colour Chart](#)
  - Polished

**ARM QUANTITY:**

- 2
- 3
- Tailored

**LEG AND MOUNTING**



# mall bench



**LENGTH:**

- 1750mm | 68 7/8"
- 2100mm | 82 11/16"
- Tailored

**BATTEN:**

**Eco-certified Wood\***

- WoodPlus™ (Engineered Wood, FSC)
  - Raw
  - Oiled
- Hardwood, Oiled (PEFC)

**Low-carbon Aluminium\*\***

- Aluminium Woodgrain [See Colour Chart](#)
- Aluminium Powder Coated [See Colour Chart](#)
  - Single Colour
  - Multicolour
- Aluminium Anodised

\*Oiled wood needs re-oiling every 3 months, while raw wood can be left to silver naturally. For a fade-resistant, low-maintenance timber look, choose Aluminium Woodgrain (also known as Wood Without Worry™).

\*\*Low-carbon aluminium is produced using renewable energy instead of fossil fuels and is infinitely recyclable.

**BATTEN ENDCAP COLOUR:**

- Match Batten
- Match Frame

Some options incur additional fees and lead time.

**Need more information?**

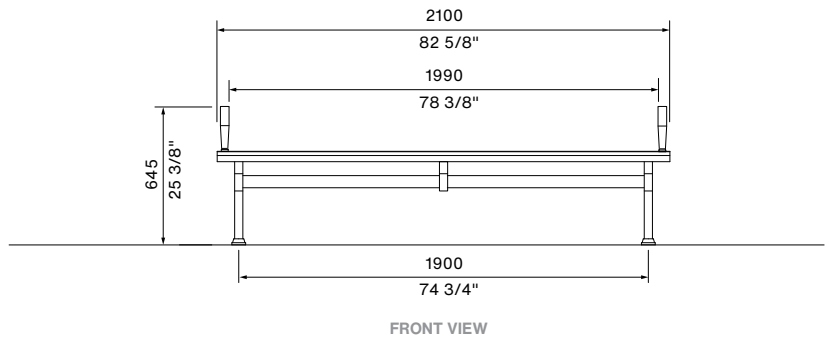
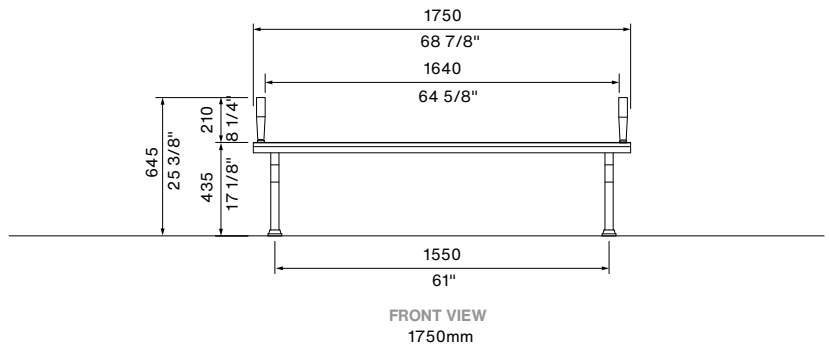
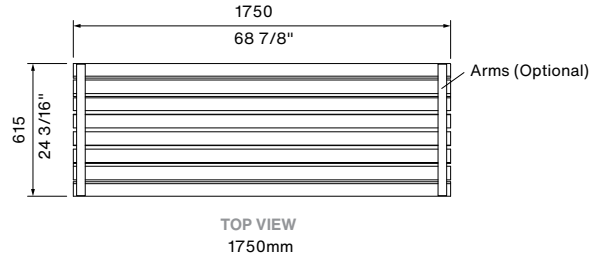
For a brochure, image gallery, CAD downloads, installation and maintenance guides, go to:

[streetfurniture.com/au/product/mall-bench/](http://streetfurniture.com/au/product/mall-bench/)

**Quick links:**

[streetfurniture.com/au/colour-chart/](http://streetfurniture.com/au/colour-chart/)

[streetfurniture.com/au/warranty/](http://streetfurniture.com/au/warranty/)



**BATTEN MAP**

Refer to numbers to specify multicolour battens.

