

# linea planter



**Strong, sleek and minimalist planters in a wide range of sizes, shapes and colours. Liners included with optional wicking bed for self-watering. Integrated adjustable leg assists with levelling on ground plane.**

Select one box per category to specify your product.

MCODE: LP3, LP3-BAT

**CONFIGURATION:**

**Square**

- Square S  
445L x 445W x 435H (mm)  
17 1/2" W x 17 1/2" L x 17 1/8" H
- Square M  
640L x 640W x 650H (mm)  
25 1/4" W x 25 1/4" L x 25 5/8" H
- Square L  
900L x 900W x 650H (mm)  
35 3/8" W x 35 3/8" L x 25 5/8" H
- Square XL  
900L x 900W x 940H (mm)  
35 3/8" W x 35 3/8" L x 37" H

**Rectangular**

- Rectangular S  
900L x 445W x 435H (mm)  
35 3/8" W x 17 1/2" L x 17 1/8" H
- Rectangular M  
900L x 445W x 650H (mm)  
35 3/8" W x 17 1/2" L x 25 5/8" H
- Rectangular L  
900L x 445W x 940H (mm)  
35 3/8" W x 17 1/2" L x 37" H

**Long Rectangular**

- Long Rectangular S  
1200L x 445W x 435H (mm)  
47 1/4" W x 17 1/2" L x 17 1/8" H
- Long Rectangular M  
1200L x 445W x 650H (mm)  
47 1/4" W x 17 1/2" L x 25 5/8" H
- Long Rectangular L  
1200L x 445W x 940H (mm)  
47 1/4" W x 17 1/2" L x 37" H

Tailored

**BODY:**

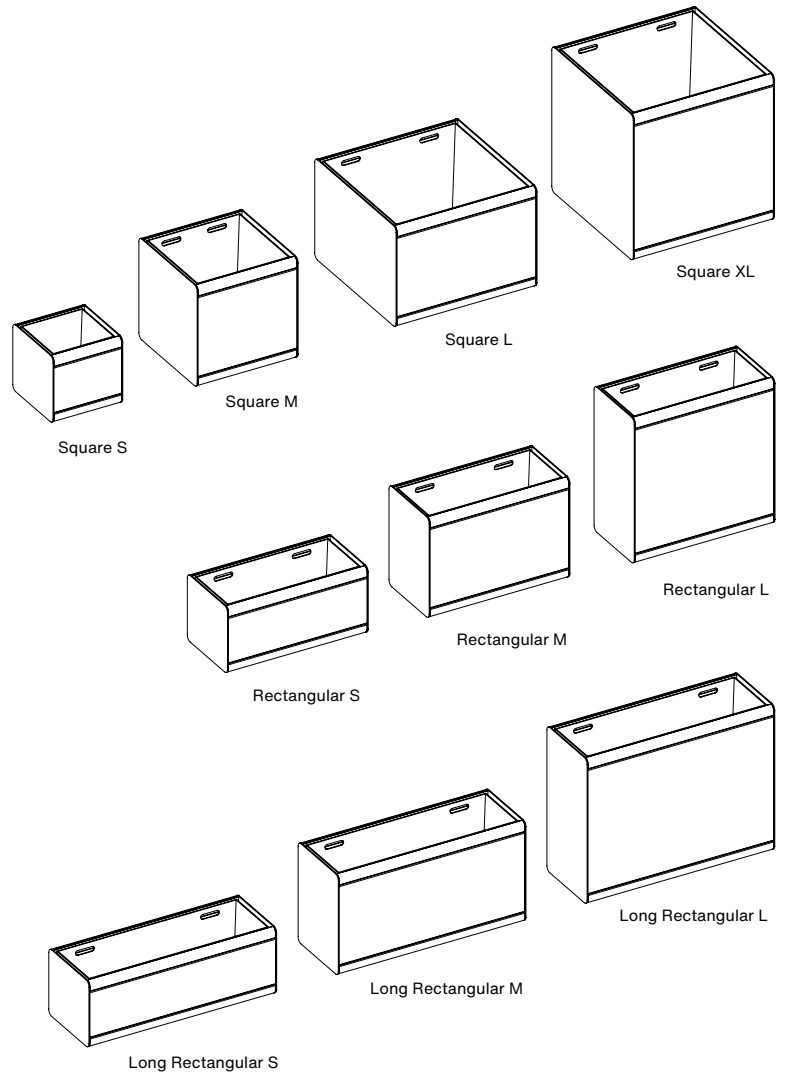
- Battened
- Solid
- Perforated (Custom)

[Download Template Here](#)

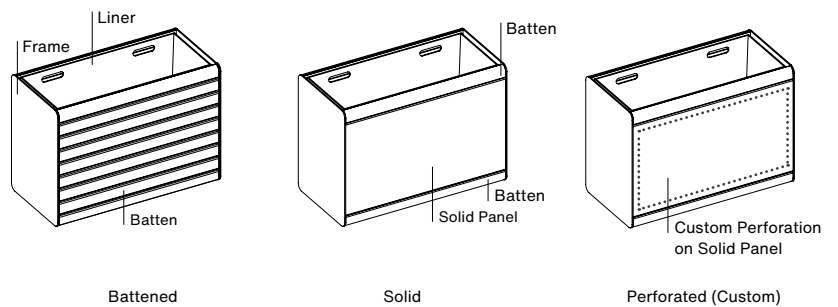
**MOUNTING:**

Universal adjustable leg that can be surface fixed or freestanding.

**CONFIGURATION**



**BODY**



# linea planter



**BATTEN:**

**Eco-certified Wood\***

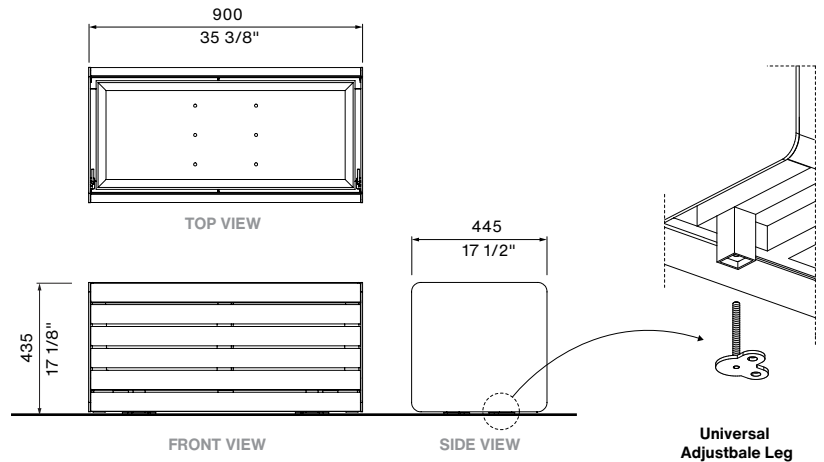
- WoodPlus™ (Engineered Wood, FSC)
  - Raw
  - Oiled
- Hardwood, Oiled (PEFC)

**Low-carbon Aluminium\*\***

- Aluminium Woodgrain [See Colour Chart](#)
- Aluminium Powder Coated [See Colour Chart](#)
  - Single Colour
  - Multicolour
- Aluminium Anodised

\*Oiled wood needs re-oiling every 3 months, while raw wood can be left to silver naturally. For a fade-resistant, low-maintenance timber look, choose Aluminium Woodgrain (also known as Wood Without Worry™).

\*\*Low-carbon aluminium is produced using renewable energy instead of fossil fuels and is infinitely recyclable.



**FRAME:**

[See Colour Chart](#)

Fabricated Aluminium Powder Coated

**LINER:**

Black Polyliner

(Square L and XL come with black metal liner.)

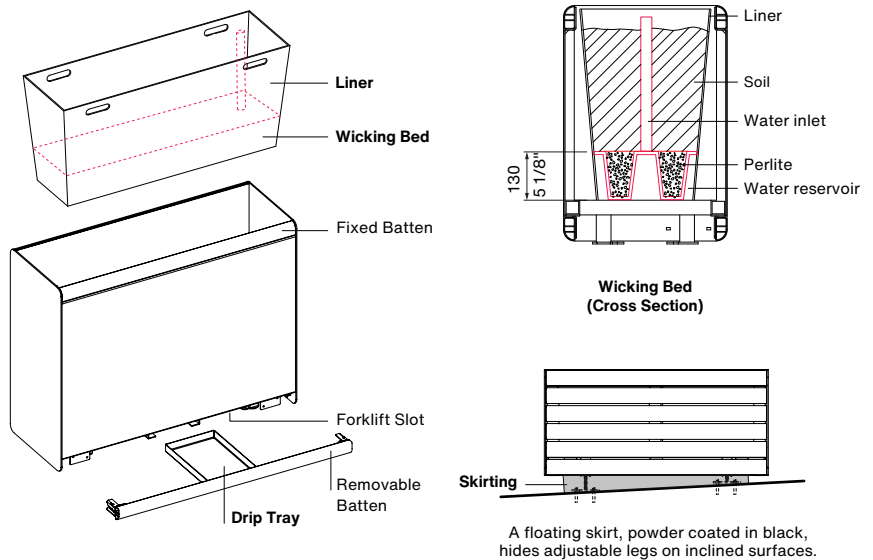
**OPTIONAL EXTRAS:**

Additional cost applies.

- WaterUps® Wicking Bed  
(Integrated in the liner with 130mm depth.)
- Drip Tray
- Skirting  
(Only available for slopes up to 3°. Not compatible with drip tray.)

Some options incur additional fees and lead time.

**OPTIONAL EXTRAS**



**Need more information?**

For a brochure, image gallery, CAD downloads, installation and maintenance guides, go to: [streetfurniture.com/au/product/linea-planter/](http://streetfurniture.com/au/product/linea-planter/)

**Quick links:**

- [streetfurniture.com/au/colour-chart/](http://streetfurniture.com/au/colour-chart/)
- [streetfurniture.com/au/warranty/](http://streetfurniture.com/au/warranty/)

**BATTEN MAP**

Refer to numbers to specify multicolour battens.

