

linea planter



Strong, sleek and minimalist planters in a wide range of sizes, shapes and colours. Liners included with optional wicking bed for self-watering. Integrated adjustable leg assists with levelling on ground plane.

Select one box per category to specify your product.

CONFIGURATION:

Square

- Square S
445L x 445W x 435H (mm)
17 1/2" W x 17 1/2" L x 17 1/8" H
- Square M
640L x 640W x 650H (mm)
25 1/4" W x 25 1/4" L x 25 5/8" H
- Square L
900L x 900W x 650H (mm)
35 3/8" W x 35 3/8" L x 25 5/8" H
- Square XL
900L x 900W x 940H (mm)
35 3/8" W x 35 3/8" L x 37" H

Rectangular

- Rectangular S
900L x 445W x 435H (mm)
35 3/8" W x 17 1/2" L x 17 1/8" H
- Rectangular M
900L x 445W x 650H (mm)
35 3/8" W x 17 1/2" L x 25 5/8" H
- Rectangular L
900L x 445W x 940H (mm)
35 3/8" W x 17 1/2" L x 37" H

Long Rectangular

- Long Rectangular S
1200L x 445W x 435H (mm)
47 1/4" W x 17 1/2" L x 17 1/8" H
- Long Rectangular M
1200L x 445W x 650H (mm)
47 1/4" W x 17 1/2" L x 25 5/8" H
- Long Rectangular L
1200L x 445W x 940H (mm)
47 1/4" W x 17 1/2" L x 37" H

- Tailored

BODY:

- Battened
- Solid
- Perforated (Custom)

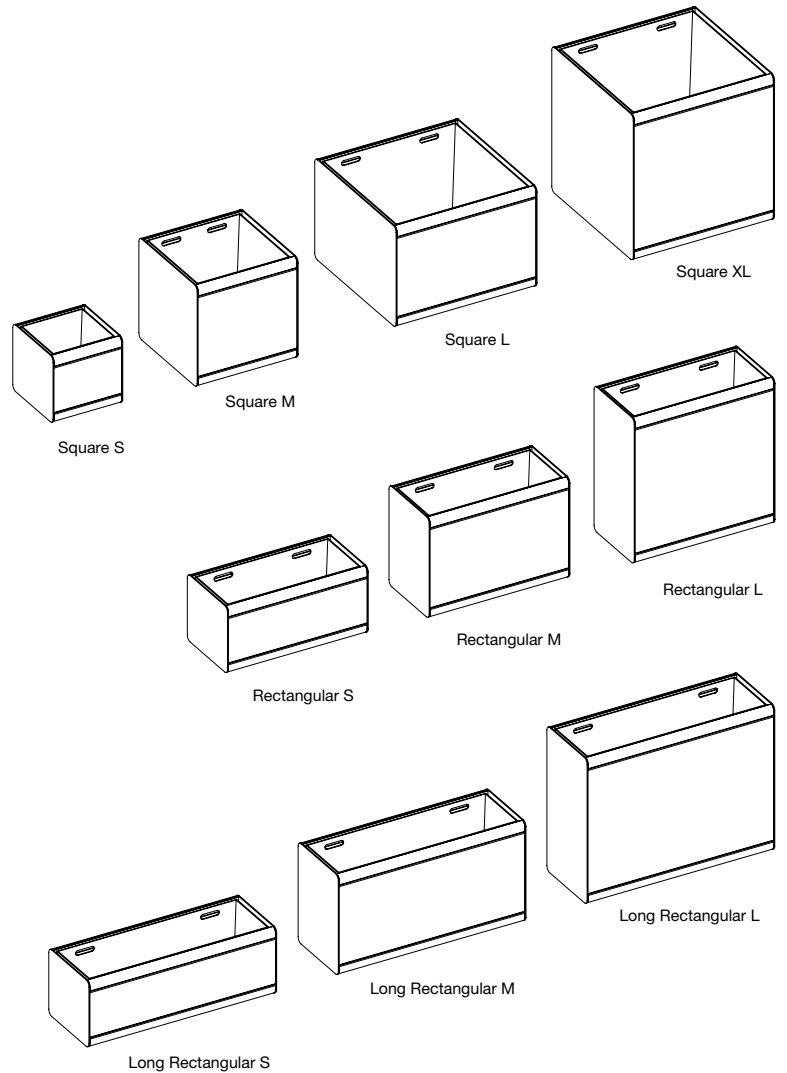
[Download Template Here](#)

BATTEN:

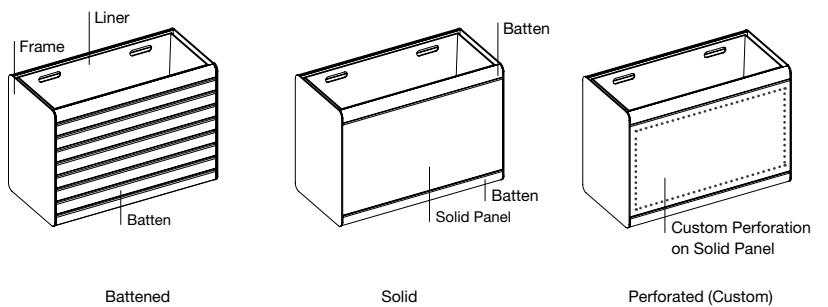
- Aluminium Woodgrain [See Colour Chart](#)
- Aluminium Powder Coated [See Colour Chart](#)
 - Single Colour
 - Multicolour
- Aluminium Anodised
- Eco-certified Engineered Wood*
- Eco-certified Hardwood Oiled*

*Sourced from certified managed forests (PEFC or FSC). Hardwood needs re-oiling every 3 months. For a wood look with low maintenance, choose Aluminium Woodgrain (also known as Wood Without Worry).

CONFIGURATION



BODY



linea planter



FRAME:

[See Colour Chart](#)

Fabricated Aluminium Powder Coated

MOUNTING:

Universal adjustable leg that can be surface fixed or freestanding.

LINER:

Black Polyliner

(Square L and XL come with black metal liner.)

OPTIONAL EXTRAS:

Additional cost applies.

- WaterUps® Wicking Bed
(Integrated in the liner with 130mm depth.)
- Drip Tray
- Skirting
(Only available for slopes up to 3°. Not compatible with drip tray.)

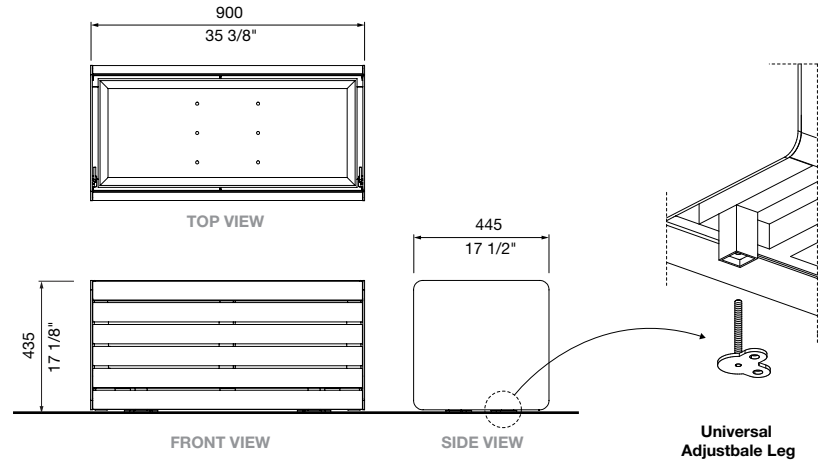
Some options incur additional fees and lead time.

Need more information?

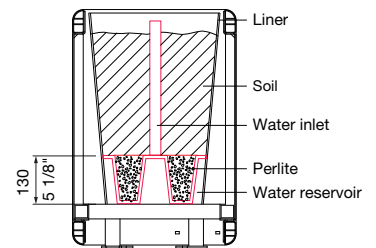
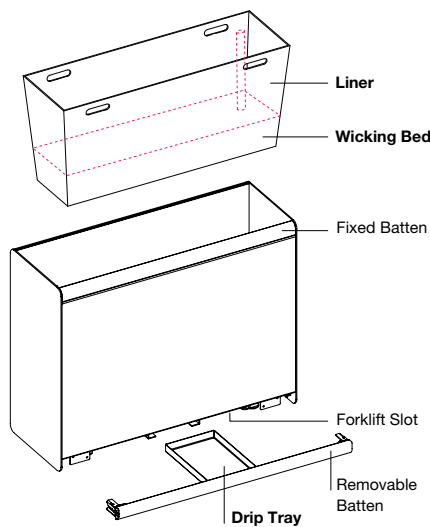
For a brochure, image gallery, CAD downloads, installation and maintenance guides, go to: streetfurniture.com/au/product/linea-planter/

Quick links:

streetfurniture.com/au/colour-chart/
streetfurniture.com/au/warranty/



OPTIONAL EXTRAS



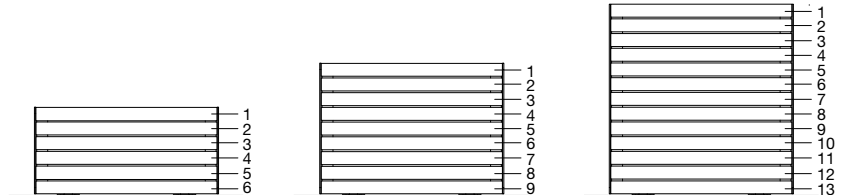
Wicking Bed (Cross Section)



A floating skirt, powder coated in black, hides adjustable legs on inclined surfaces.

BATTEN MAP

Refer to numbers to specify multicolour battens.



For Square S, Rectangular S, Long Rectangular S

For Square M, Square L, Rectangular M, Long Rectangular M

For Square XL, Rectangular L, Long Rectangular L