

linea curved seat



The Linea range is sleek and minimalist yet extremely strong made of stainless steel frames. A curved seat joins this premium range offered with Wood Without Worry and coloured aluminium battens. Meets accessibility requirements (ADA, DDA and AS1428.2) when specified with armrests.

For tailored curves, the minimum internal radius is 1.5 metre or 59".

MCODE: LIS10-C

AL Arc Length (outermost)
IR Internal Radius
ER External Radius

OVERALL DIMENSIONS:

Concave
 745W x 790H x 2025L (mm)
 29 3/8" W x 31 1/8" H x 79 3/4" L

Convex
 745W x 790H x 1930L (mm)
 29 3/8" W x 31 1/8" H x 76" L

Select one box per category to specify your product.

CONFIGURATION:

Street Furniture Australia highly recommends using standard curves where possible.

- Concave**
 - Standard
 AL 2010mm | 79 1/8"
 IR 1500mm | 59"
 - Tailored*
- Convex**
 - Standard
 AL 2010mm | 79 1/8"
 IR 1500mm | 59"
 - Tailored*

*To specify, provide the AL and IR. A setup fee and additional lead time applies to each custom curve.

FRAME:

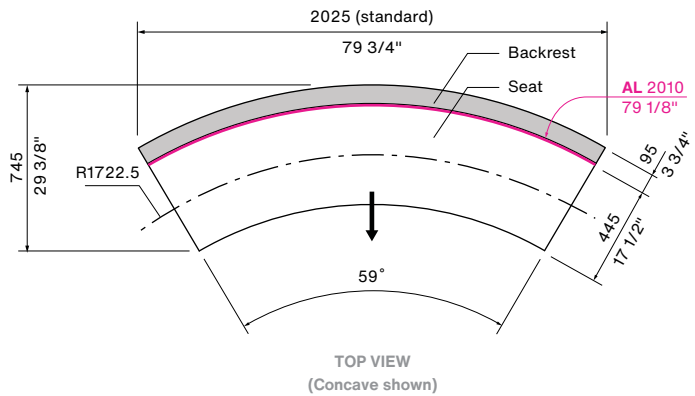
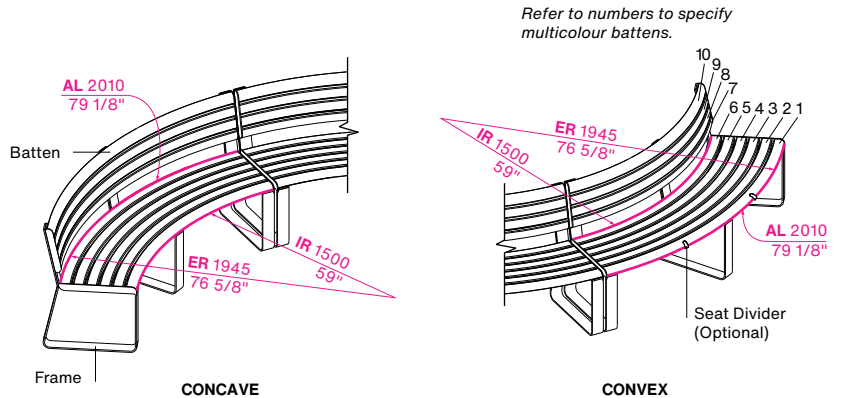
[See Colour Chart](#)

- Stainless 304 Powder Coated
- Stainless 316 Powder Coated

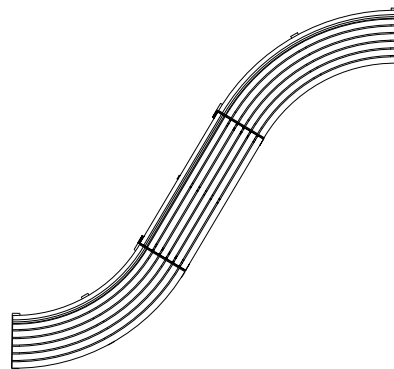
ARM:

Dark colours are not recommended for areas in direct sunlight.

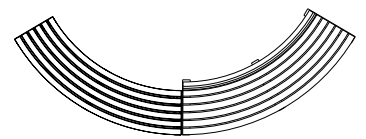
- None
- 1 Arm Left
- 1 Arm Right
- 2 Arms



CONFIGURATION EXAMPLES



MIX CURVED AND STRAIGHT
 CONVEX SEAT + STRAIGHT SEAT + CONCAVE SEAT
 3570 W x 3748 L (mm)
 140 1/2" W x 147 1/2" L



MIX SEAT AND BENCH
 CONVEX SEAT + CURVED BENCH
 1245 W x 3375 L (mm)
 49" W x 132 7/8" L

linea curved seat



BATTEN:

Low-carbon Aluminium*

- Aluminium Woodgrain [See Colour Chart](#)
- Aluminium Powder Coated [See Colour Chart](#)
- Single Colour
- Multicolour
- Aluminium Anodised

*Low-carbon aluminium is produced using renewable energy instead of fossil fuels and is infinitely recyclable.

LEGS AND MOUNTING:

- Standard Leg
 - Surface Fixed
 - Subsurface Fixed
 - Freestanding
- Square Leg

Choose Square Leg for when placing Linea Seat and Bench side-by-side to ensure the legs align.

- Surface Fixed
- Subsurface Fixed
- Wall (Fixed to Side of Wall)
- Plinth (Fixed on Top of Wall)

OPTIONAL EXTRAS:

Refer to the separate technical sheet.

- [Seat Divider \(DV1\)](#)
- [Table Accessory \(TA1\)](#)

Some options incur additional fees and lead time.

Need more information?

For a brochure, image gallery, CAD downloads, installation and maintenance guides, go to: streetfurniture.com/au/product/linea-curved-seat/

Quick links:

- streetfurniture.com/au/colour-chart/
- streetfurniture.com/au/warranty/

LEG AND MOUNTING

