

# linea curved bench



The Linea range is sleek and minimalist. 100% stainless steel frames support many different colours, lengths and mounting types, including plinth and wall-fixed options.

For tailored curves, the minimum internal radius is 1 metre or 39 3/8".

MCODE: LIB6-C

**AL** Arc Length (outermost)  
**IR** Internal Radius  
**ER** External Radius

OVERALL DIMENSIONS:  
 635W x 430H x 1930L (mm)  
 25" W x 17" H x 76" L

Select one box per category to specify your product.

CONFIGURATION:  
 Street Furniture Australia highly recommends using standard curves where possible.

- Standard  
 AL 2010mm | 79 1/8"  
 IR 1500mm | 59"

Tailored\*  
 \*To specify, provide the AL and IR. A setup fee and additional lead time applies to each custom curve.

- LEGS AND MOUNTING:
- Standard Leg
    - Surface Fixed
    - Subsurface Fixed
    - Freestanding
  - Wall (Fixed to Side of Wall)
  - Plinth (Fixed on Top of Wall)

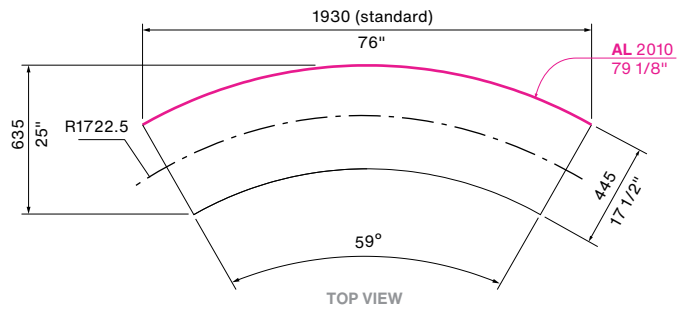
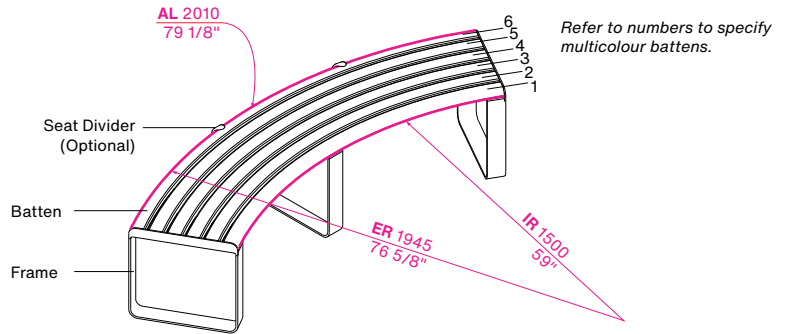
- BATTEN:
- Low-carbon Aluminium\*
- Aluminium Woodgrain [See Colour Chart](#)
  - Aluminium Powder Coated [See Colour Chart](#)
    - Single Colour
    - Multicolour
  - Aluminium Anodised

\*Low-carbon aluminium is produced using renewable energy instead of fossil fuels and is infinitely recyclable.

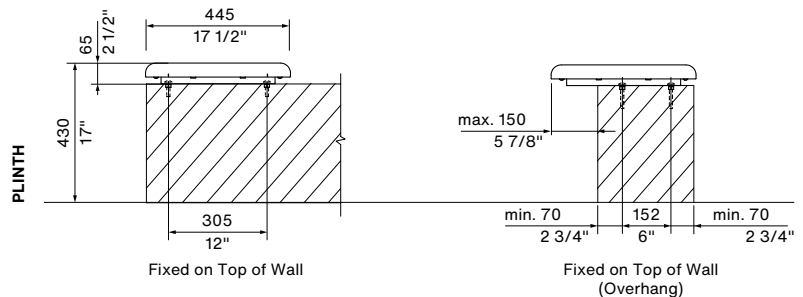
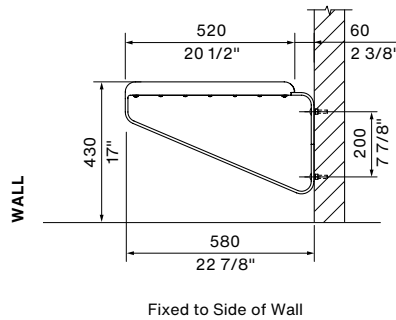
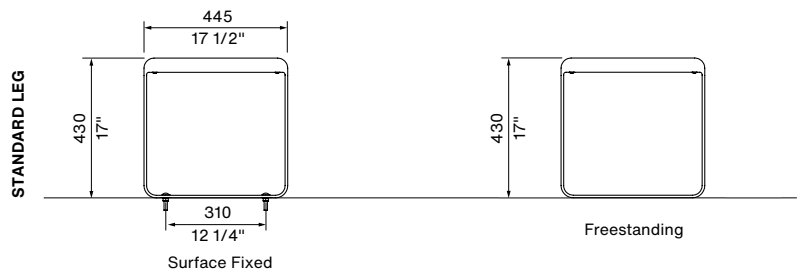
- FRAME:
- [See Colour Chart](#)
- Stainless 304 Powder Coated
  - Stainless 316 Powder Coated

OPTIONAL EXTRAS:  
 Refer to the separate technical sheet.

- [Seat Divider \(DV1\)](#)
- [Table Accessory \(TA1\)](#)



LEG AND MOUNTING



# linea curved bench



Some options incur additional fees and lead time.

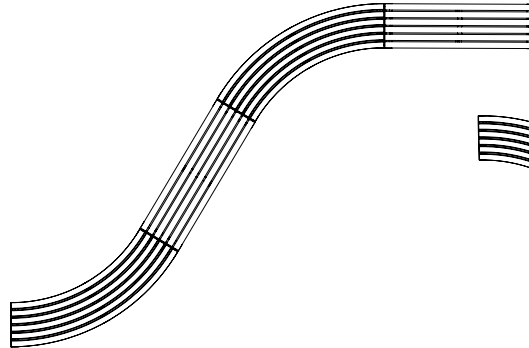
## CONFIGURATION EXAMPLES

### Need more information?

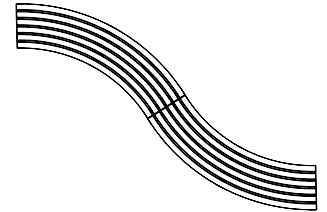
For a brochure, image gallery, CAD downloads, installation and maintenance guides, go to: [streetfurniture.com/au/product/linea-curved-bench/](https://streetfurniture.com/au/product/linea-curved-bench/)

### Quick links:

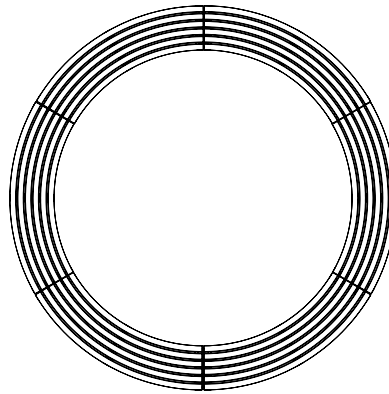
[streetfurniture.com/au/colour-chart/](https://streetfurniture.com/au/colour-chart/)  
[streetfurniture.com/au/warranty/](https://streetfurniture.com/au/warranty/)



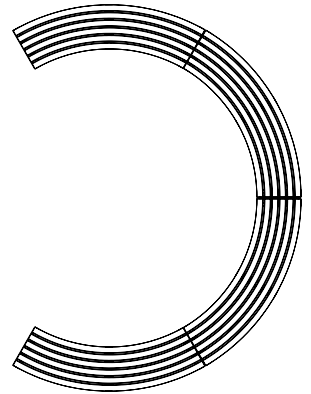
EXTENDED S-SHAPE  
QTY: 2 CURVED BENCHES + 2 BENCHES  
3490 W x 5250 L (mm)  
137 3/8" W x 206 3/4" L



S-SHAPE  
QTY: 2 CURVED BENCHES  
2180 W x 3000 L (mm)  
85 7/8" W x 118 1/8" L



CIRCLE  
QTY: 6 CURVED BENCHES  
ø3905 mm  
ø153 3/4"



C-SHAPE  
QTY: 4 CURVE BENCHES  
2925W x 3905L (mm)  
115 1/8" W x 153 3/4" L