

linea bin



Sleek and minimalist, Linea Bin features a heavy-duty stainless steel frame with a battened aluminium or eco-certified timber exterior.

Select one box per category to specify your product.

SIZE:

Wheeled bin not included.

- 120L**
570L x 640W x 1245H mm
22 1/2" L x 25 1/4" W x 49" H
- 240L**
715L x 810W x 1415H mm
28 1/8" L x 31 7/8" W x 55 3/4" H

FRAME MATERIAL:

Roof and side panel.

- Stainless 304 (Powder Coated Only)
- Stainless 316

ROOF FINISH:

- Powder Coated [See Colour Chart](#)
- Stainless 316 No.4 Finish (Brushed)

SIDE PANEL FINISH:

- Solid
 - Stainless 316 No.4 Finish (Brushed)
 - Powder Coated [See Colour Chart](#)
- Perforated [See Tailoring Guide](#)
 - Stainless 316 No.4 Finish (Brushed)
 - Powder Coated [See Colour Chart](#)

BATTEN:

Door and back.

- Aluminium Woodgrain [See Colour Chart](#)
- Aluminium Powder Coated [See Colour Chart](#)
 - Single Colour
 - Multicoloured

(Refer to Batten Map on next page)

- Aluminium Anodised
- Eco-certified Engineered Wood Oiled*
- Eco-certified Hardwood Oiled*

*Sourced from certified managed forests (PEFC or FSC). Hardwood needs re-oiling every 3 months. For a wood look with low maintenance, choose Aluminium Woodgrain (also known as Wood Without Worry).

SPLASH TRAY:

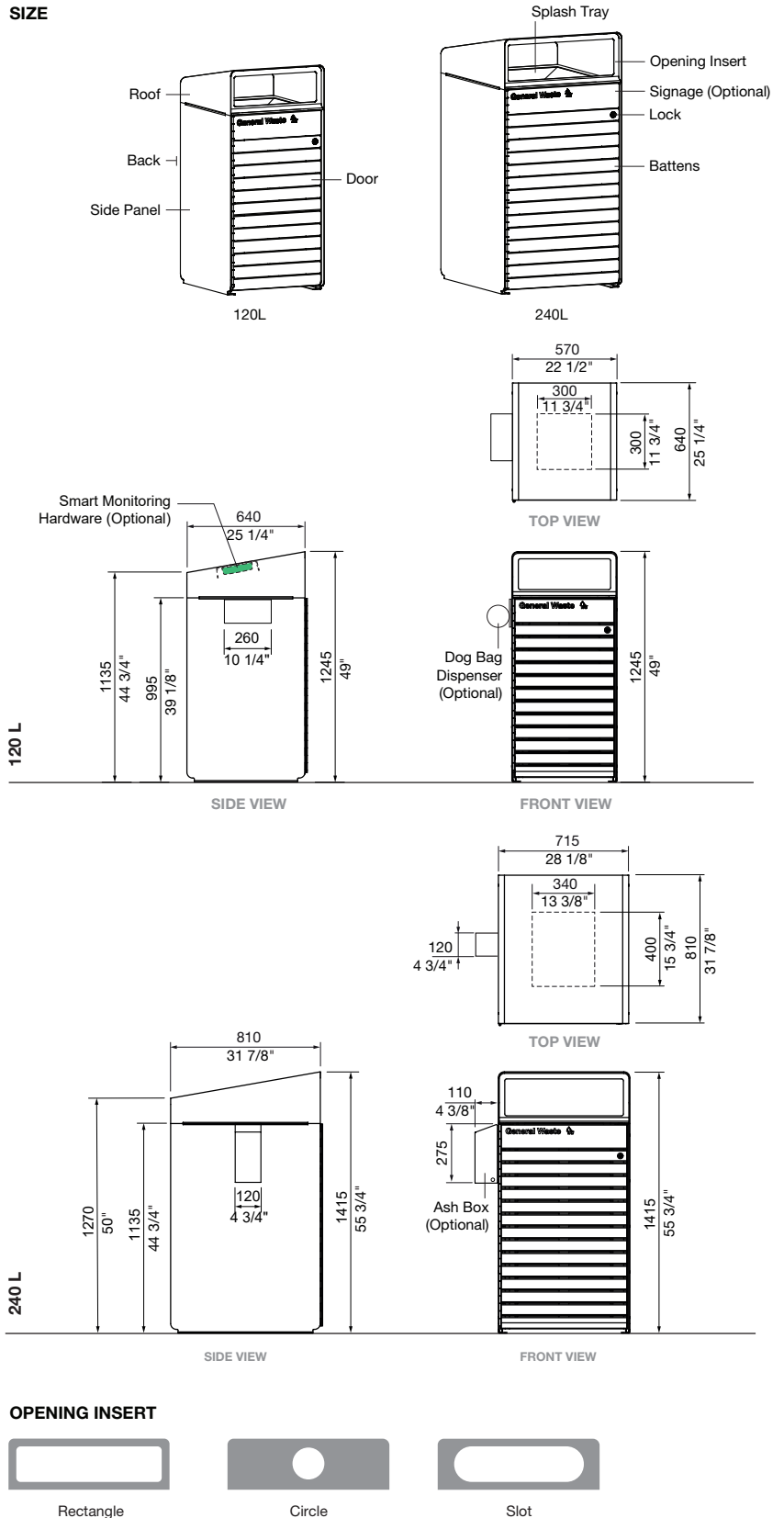
Stainless 316 No.4 Finish (Brushed)

OPENING INSERT:

[See Colour Chart](#)

- Rectangle (Standard)
 - 120L: 165x500 | 6 1/2" x 19 3/4"
 - 240L: 200x645 | 7 7/8" x 25 3/8"
- Circle
 - 120L: Ø165 | 6 1/2"
 - 240L: Ø180 | 7 1/8"
- Slot
 - 120L: 130x430 | 5 1/8" x 16 7/8"
 - 240L: 145x575 | 5 3/4" x 22 5/8"

SIZE



linea bin



SIGNAGE (OPTIONAL):

QTY 1 signage on the front door.

Text is laser-cut with a backing panel, featuring high-contrast colours for accessibility and DDA/ADA alignment.

- None
- General Waste
 - Match Batten*
 - Lobster Red
 - Other [See Colour Chart](#)
- Recycling
 - Match Batten*
 - Mustard
 - Other [See Colour Chart](#)
- Organics
 - Match Batten*
 - Viper Green
 - Other [See Colour Chart](#)
- Tailored [See Tailoring Guide](#)

*Applies only to woodgrain and coloured battens.
For hardwood, select a colour option.

MOUNTING:

Surface Fixed

LOCK:

- Slam Lock with Triangular Key (Standard)
- Keyless Slam Lock

SMART MONITORING (OPTIONAL):

Additional cost applies.

- None
- eBin with Sensor
 - NBloT (Australia and USA)
 - Cat-M1 (USA Only)

OPTIONAL EXTRAS:

Additional cost applies.

- Ash Box [See Technical Sheet](#)
- Dog Bag Dispenser [See Technical Sheet](#)

CONFIGURATION:

- Single
- Dual Side-by-side (QTY 2)**
- Triple Side-by-side (QTY 3)**

**Specify each bin separately.

Some options incur additional fees and lead time.

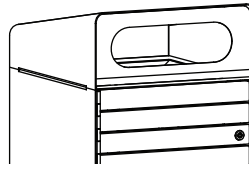
Need more information?

For a brochure, image gallery, CAD downloads, installation installation, maintenance and tailoring guides, go to: streetfurniture.com/product/linea-bin

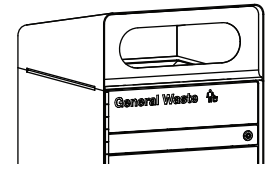
Quick links:

- streetfurniture.com/au/colour-chart/
- streetfurniture.com/au/warranty/

SIGNAGE



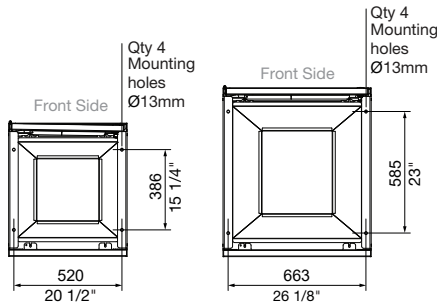
No Signage



With Signage Panel



MOUNTING

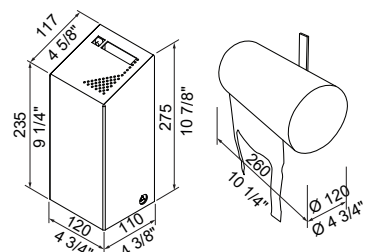


BOTTOM VIEW
120L

BOTTOM VIEW
240L

OPTIONAL EXTRAS

Additional fee applies.

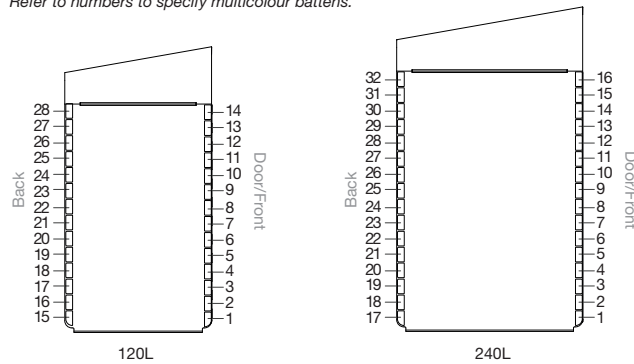


Ash Box

Dog Bag Dispenser

BATTEN MAP

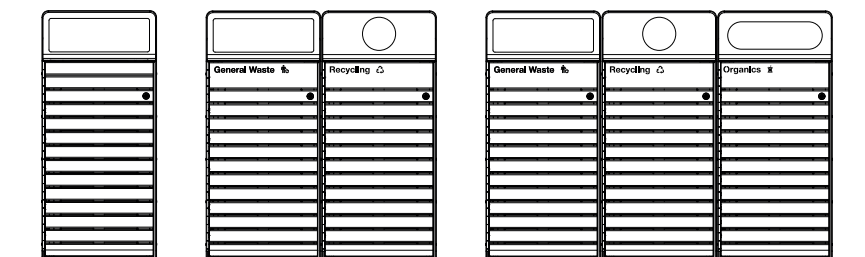
Refer to numbers to specify multicolour battens.



120L

240L

CONFIGURATION



Single

Dual Side-by-side

Triple Side-by-side