

linea bicycle stand

This is a carbon neutral product.



Stylish bicycle parking, beautiful and functional, with ergonomic proportions and robust stainless steel frame. Adheres to AS2890.3 Class 3.

MCODE: BST07

DIMENSIONS:

600L x 75W x 760H (mm)
23 5/8" L x 3" W x 29 7/8" H

Select one box per category to specify your product.

FRAME:

[See Colour Chart](#)

- Stainless Steel 304 Powder Coated
- Stainless Steel 316 Powder Coated
- Stainless Steel 316 Electropolished

MOUNTING:

- Surface Fixed
- Subsurface Fixed
- Core Drilled (300mm Below Ground)

BATTEN INSERT:

- None

Eco-certified Wood*

- WoodPlus™ (Engineered Wood, FSC)
 - Raw
 - Oiled

Hardwood, Oiled (PEFC)

Low-carbon Aluminium**

- Aluminium Woodgrain [See Colour Chart](#)
- Aluminium Powder Coated [See Colour Chart](#)
 - Single Colour
 - Multicolour
- Aluminium Anodised

**Oiled wood needs re-oiling every 3 months, while raw wood can be left to silver naturally. For a fade-resistant, low-maintenance timber look, choose Aluminium Woodgrain (also known as Wood Without Worry™).*

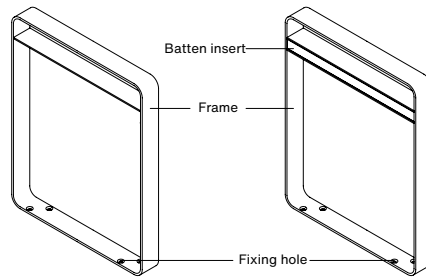
***Low-carbon aluminium is produced using renewable energy instead of fossil fuels and is infinitely recyclable.*

ETCHED ARTWORK:

Artwork size 40x450mm.

- None
- 1 Sided
- 2 Sided
- Tailored

Some options incur additional fees and lead time.



No Batten Insert

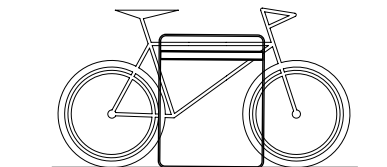
With Batten Insert

ISOMETRIC VIEW



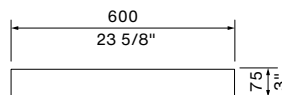
20 x 450mm

OPTIONAL LASER ETCHING

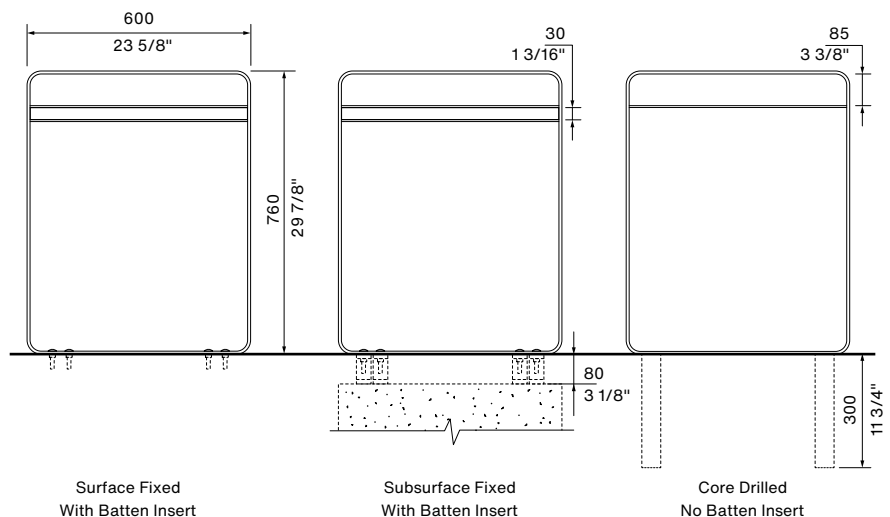


FRONT VIEW WITH BICYCLE

MOUNTING



TOP VIEW



Surface Fixed With Batten Insert

Subsurface Fixed With Batten Insert

Core Drilled No Batten Insert

linea bicycle stand

This is a carbon neutral product.



Need more information?

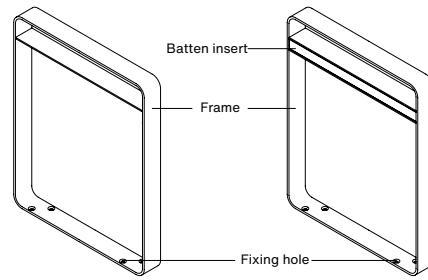
For a brochure, image gallery, CAD downloads, installation and maintenance guides, go to:

streetfurniture.com/au/product/linea-bicycle-stand/

Quick links:

streetfurniture.com/au/colour-chart/

streetfurniture.com/au/warranty/



No Batten Insert

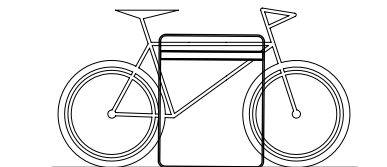
With Batten Insert

ISOMETRIC VIEW



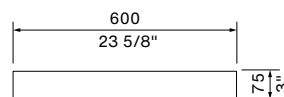
20 x 450mm

OPTIONAL LASER ETCHING

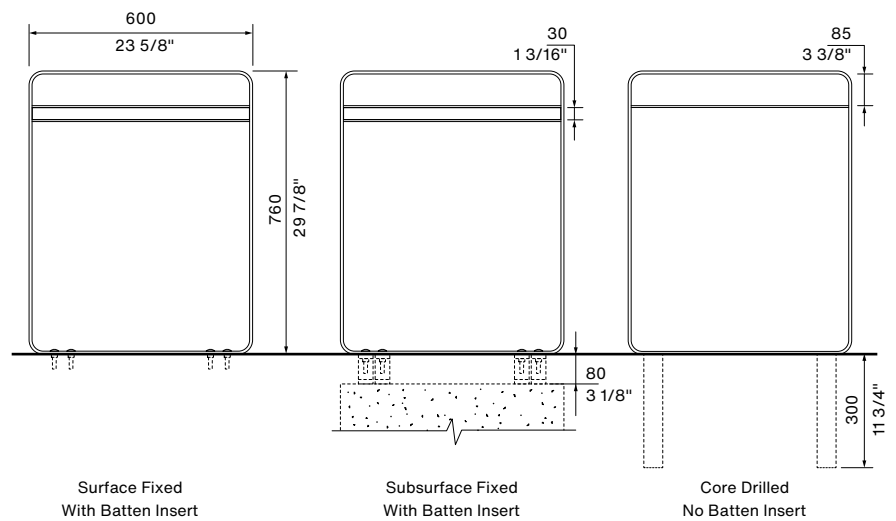


FRONT VIEW WITH BICYCLE

MOUNTING



TOP VIEW



Surface Fixed
With Batten Insert

Subsurface Fixed
With Batten Insert

Core Drilled
No Batten Insert