

classic plaza table

Classic picnic table with curved edges supported by strong, cast aluminium frames.

MCODE: CMP6

DIMENSIONS:

Standard

740W x 720H x various lengths (mm)
29 1/8" W x 28 3/8" H x various lengths

DDA (Wheelchair Accessible)

740W x 850H x various lengths (mm)
29 1/8" W x 33 1/2" H x various lengths

Select one box per category to specify your product.

TYPE:

- Standard
- DDA (Wheelchair Accessible)

WHEELCHAIR ACCESS (DDA Only):

- Side Access
- Single End Access
- Double End Access (min. 2100mm long)*

*Table with wheelchair end access must be fixed to the ground.

LEG AND MOUNTING:

- Surface Fixed
- Subsurface Fixed
- Freestanding

LENGTH:

- 1750mm | 68 7/8"
- 2100mm | 82 5/8"
- Tailored

FRAME:

[See Colour Chart](#)

- Stainless 304 Powder Coated

BATTEN:

Eco-certified Wood*

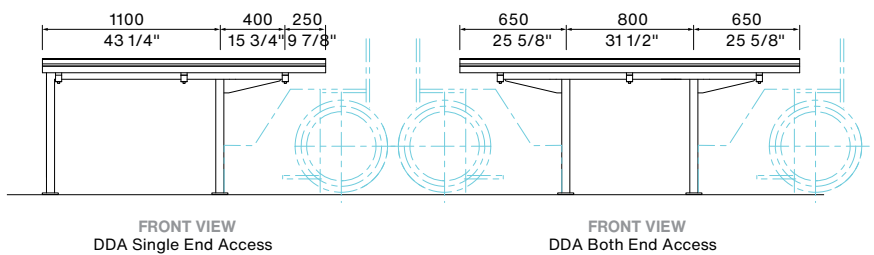
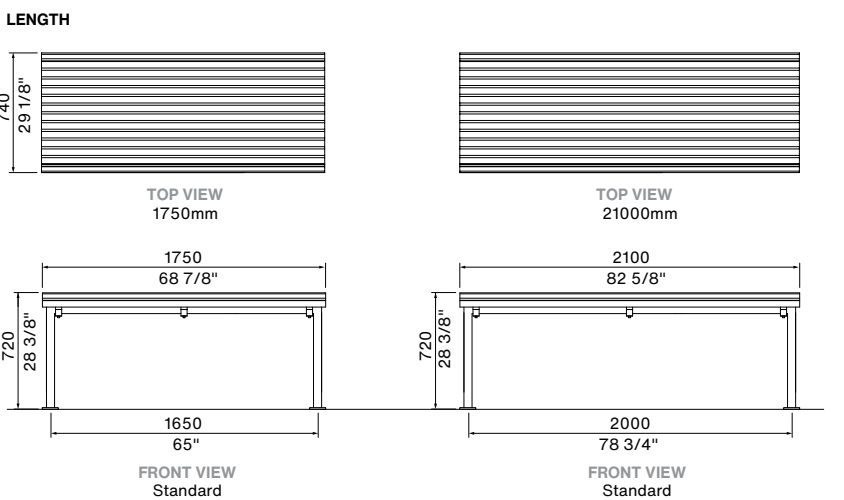
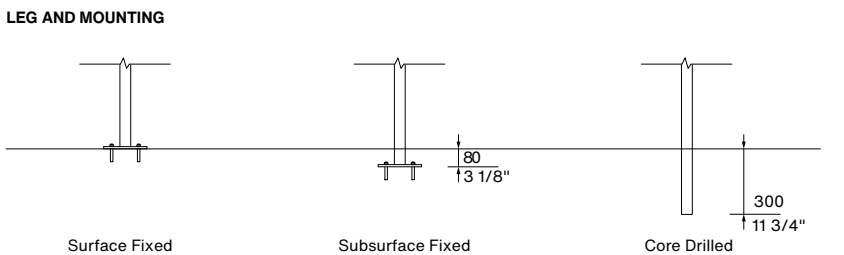
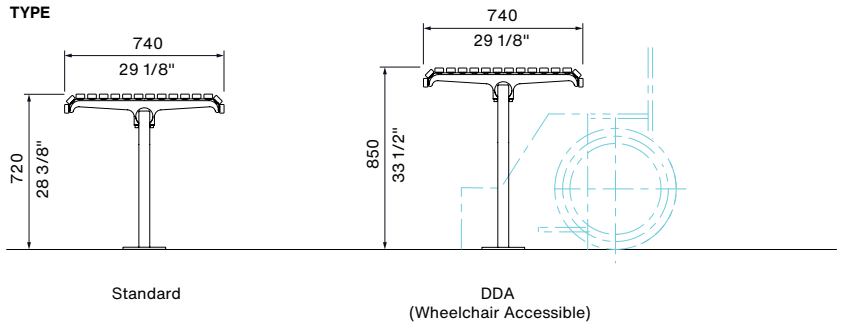
- WoodPlus™ (Engineered Wood, FSC)
 - Raw
 - Oiled
- Hardwood, Oiled (PEFC)

Low-carbon Aluminium**

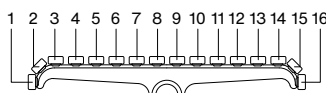
- Aluminium Woodgrain [See Colour Chart](#)
- Aluminium Powder Coated [See Colour Chart](#)
 - Single Colour
 - Multicolour
- Aluminium Anodised

*Oiled wood needs re-oiling every 3 months, while raw wood can be left to silver naturally. For a fade-resistant, low-maintenance timber look, choose Aluminium Woodgrain (also known as Wood Without Worry™).

**Low-carbon aluminium is produced using renewable energy instead of fossil fuels and is infinitely recyclable.



BATTEN MAP
Refer to numbers to specify multicolour battens.



classic plaza table

BATTEN ENDCAP COLOUR:

- Match Batten
- Match Frame

COMPATIBLE SEATING:

Refer to separate technical sheet.

- Classic Plaza Seat
- Classic Plaza Bench

OPTIONAL EXTRAS:

Refer to the separate technical sheet.

- Chess Board

Some options incur additional fees and lead time.

All products are made-to-order, quality-controlled and dispatched from the factory floor to ISO standards.

Need more information?

For a brochure, image gallery, CAD downloads, installation and maintenance guides, go to:

streetfurniture.com/au/product/classic-plaza-table/

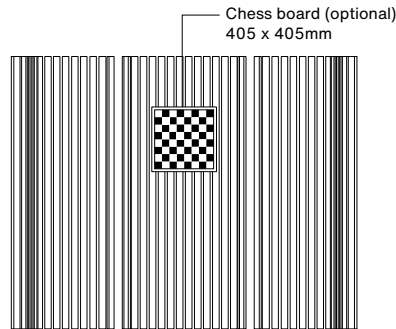
Quick links:

streetfurniture.com/au/colour-chart/

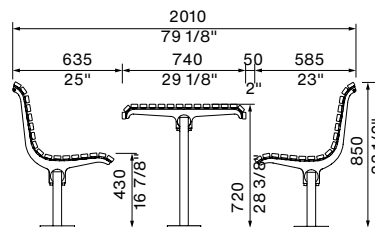
streetfurniture.com/au/warranty/

CONFIGURATION EXAMPLES

Standard, 1750mm

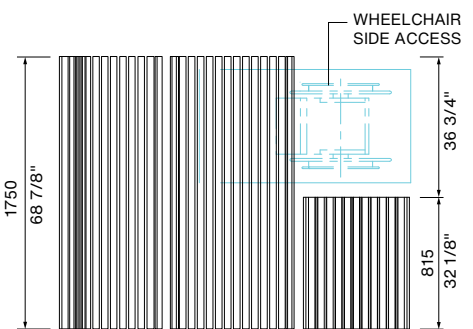


TOP VIEW

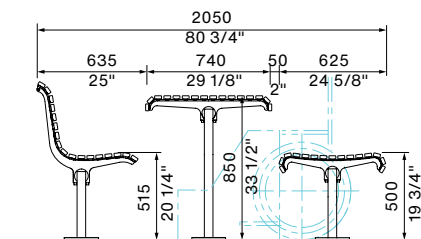


SIDE VIEW

DDA with Side Access, 1750mm

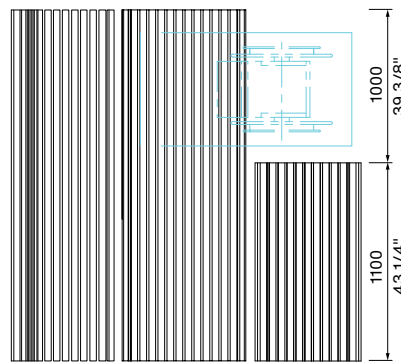


TOP VIEW

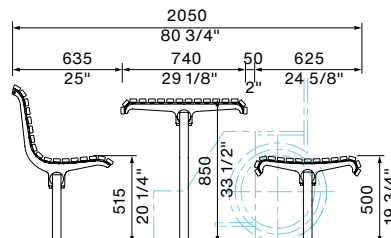


SIDE VIEW

DDA with Side and Single End Access, 2100mm

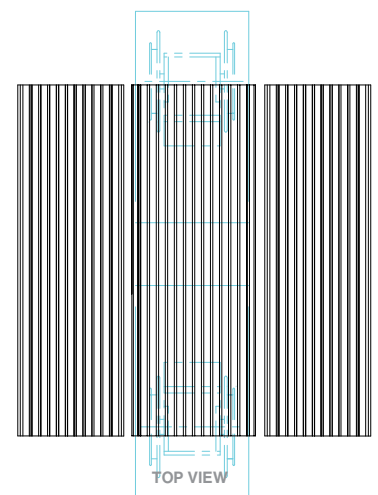


TOP VIEW

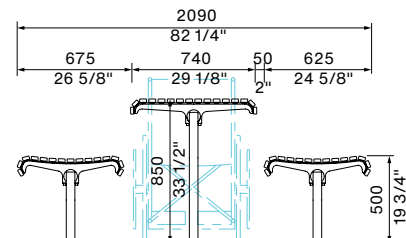


SIDE VIEW

DDA Double End Access, 2100mm



TOP VIEW



SIDE VIEW