

arqua fountain



Sculptural, high-tech fountain that supplies water for drinking and refilling containers. Arqua Fountain adheres to DDA and is wheelchair-friendly.

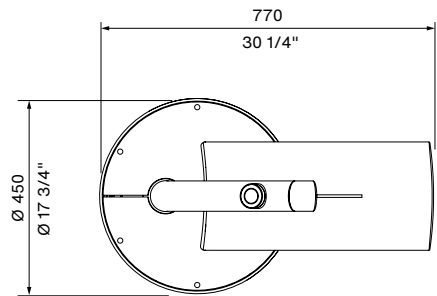


This product is certified under the WaterMark standard WMTS105.

MCODE: DF4

DIMENSIONS:

770L x 450W x 1125H (mm)
30 1/4" L x 17 3/4" W x 44 1/4" H



TOP VIEW

Select one box per category to specify your product.

BODY:

See [Colour Chart](#)

- Stainless 304 Powder Coated
- Stainless 316 Powder Coated
- Stainless 316 Electropolished

HEIGHT:

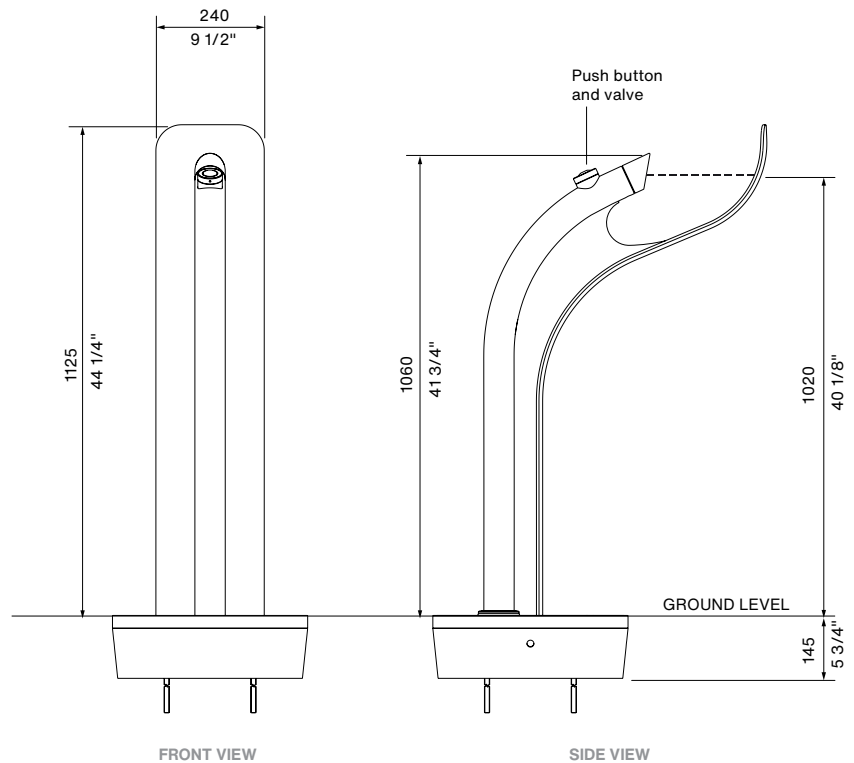
- 1125mm | 44 1/4" (Standard)
- 780mm | 30 11/16" (Child)
- Tailored

SPOUT AND BUTTON:

- Stainless 316 Bright Polished

Some options incur additional fees and lead time.

The Arqua fountain range adheres to Australian drinking water guidelines. Drinking water connected must be at a 7pH level for human consumption. Recommended operating temperature range from 5°C to maximum 60°C. Recommended operating pressure is minimum 0.5 bar (50Kpa) to maximum 5 bar (500Kpa). Installer must check pressure from the relief valve as required.



FRONT VIEW

SIDE VIEW

Need more information?

For a brochure, image gallery, CAD downloads, installation and maintenance guides, go to: streetfurniture.com/au/product/arqua-fountain/

Quick links:

streetfurniture.com/au/colour-chart/
streetfurniture.com/au/warranty/



DRINK



REFILL