

aria seat

This is a carbon neutral product.



The Aria range is a contemporary yet highly durable solution for the public realm.

Aria products are a part of a modular furniture system. To create your own shape and size, visit build.streetfurniture.com

MCODE: CMA1

DIMENSIONS:
535W x 790H x various lengths (mm)
21 1/16" W x 31 1/8" H x various lengths

Select one box per category to specify your product.

LEGS AND MOUNTING:

- Splay Leg
 - Surface Fixed
 - Subsurface Fixed
 - Freestanding
- Pedestal Leg
 - Surface Fixed
 - Subsurface Fixed
- Pedestal Tall Leg For Accesible Picnic Setting
 - Surface Fixed
 - Subsurface Fixed
- Plinth Bracket (Fixed on Top of Wall)

BATTEN:

Eco-certified Wood*

- WoodPlus™ (Engineered Wood, FSC)
 - Raw
 - Oiled
- Hardwood, Oiled (PEFC)

Low-carbon Aluminium**

- Aluminium Woodgrain [See Colour Chart](#)
- Aluminium Powder Coated [See Colour Chart](#)
 - Single Colour
 - Multicolour
- Aluminium Anodised

*Oiled wood needs re-oiling every 3 months, while raw wood can be left to silver naturally. For a fade-resistant, low-maintenance timber look, choose Aluminium Woodgrain (also known as Wood Without Worry™).

**Low-carbon aluminium is produced using renewable energy instead of fossil fuels and is infinitely recyclable.

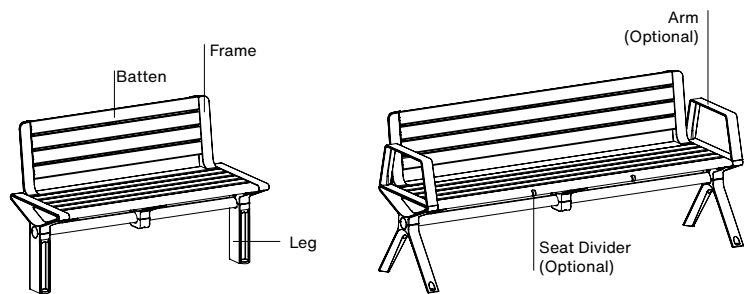
FRAME:

- Cast Aluminium Powder Coated [See Colour Chart](#)

ARM:

Dark colours are not recommended for areas in direct sunlight.

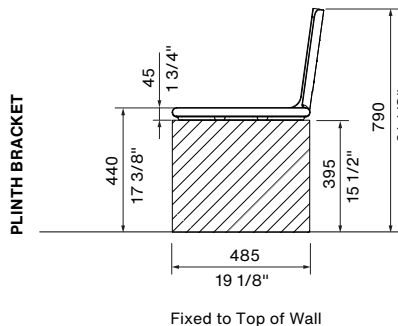
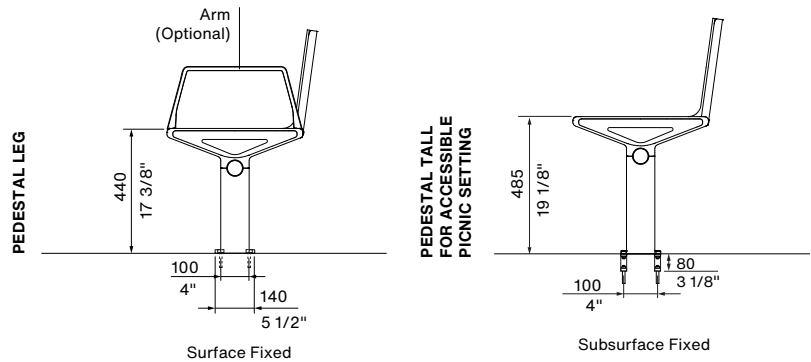
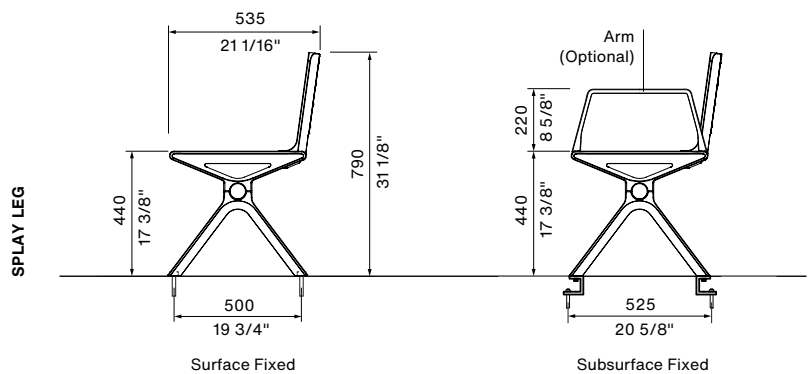
- None
- 1 Arm Left
- 1 Arm Right
- 2 Arms



2S - 1200mm with Pedestal Leg

3S - 1800mm with Splay Leg

LEG AND MOUNTING



aria seat



LENGTH:

- 1-seater 600mm | 23 5/8"
- 2-seater 1200mm | 47 1/4"
- 3-seater 1800mm | 70 7/8"
- 3.5-seater 2100mm | 82 5/8"
- Tailored

OPTIONAL EXTRAS:

Refer to the separate technical sheet.

- [Seat Divider \(DV5\)](#)
- [Table Accessory \(TA2\)](#)

Some options incur additional fees and lead time.

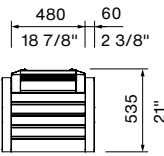
Need more information?

For a brochure, image gallery, CAD downloads, installation and maintenance guides, go to: streetfurniture.com/au/product/aria-seat/

Quick links:

- streetfurniture.com/au/colour-chart/
- streetfurniture.com/au/warranty/

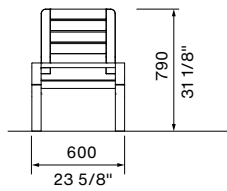
LENGTH



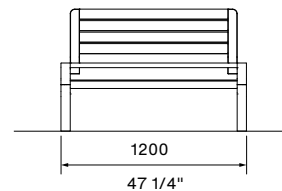
TOP VIEW



TOP VIEW



FRONT VIEW
1S - 600mm



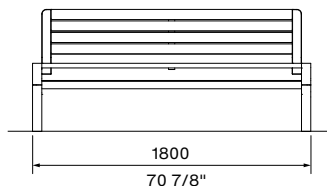
FRONT VIEW
2S - 1200mm



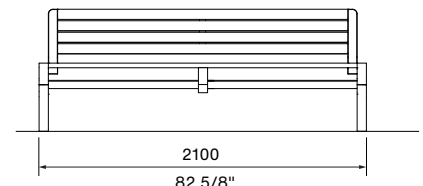
TOP VIEW



TOP VIEW



FRONT VIEW
3S - 1800mm



FRONT VIEW
3.5S - 2100mm

BATTEN MAP

Refer to numbers to specify multicolour battens.

