

aria lookout table



Create places to eat, work and dine with a view with the Aria Lookout Table.

MCODE: CMA4-T

DIMENSIONS:
480W x 765H x various lengths (mm)
18 7/8" W x 30 1/8" H x various lengths

Select one box per category to specify your product.

LEGS AND MOUNTING:

- Pedestal Leg
 - Surface Fixed
 - Subsurface Fixed

LENGTH:

- 1200mm | 47 1/4"
- 1800mm | 70 7/8"
- 2100mm | 82 5/8"
- 2400mm | 94 1/2"
- Tailored

BATTEN:

- Eco-certified Wood*
 - WoodPlus™ (Engineered Wood, FSC)
 - Raw
 - Oiled
 - Hardwood, Oiled (PEFC)
- Low-carbon Aluminium**
 - Aluminium Woodgrain [See Colour Chart](#)
 - Aluminium Powder Coated [See Colour Chart](#)
 - Single Colour
 - Multicolour
 - Aluminium Anodised

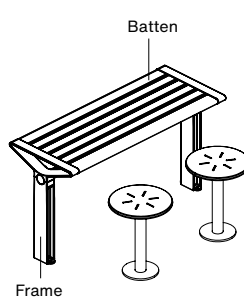
*Oiled wood needs re-oiling every 3 months, while raw wood can be left to silver naturally. For a fade-resistant, low-maintenance timber look, choose Aluminium Woodgrain (also known as Wood Without Worry™).

**Low-carbon aluminium is produced using renewable energy instead of fossil fuels and is infinitely recyclable.

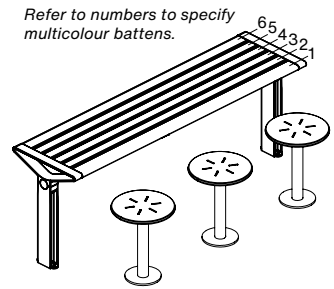
FRAME:

- Cast Aluminium Powder Coated [See Colour Chart](#)

Some options incur additional fees and lead time.

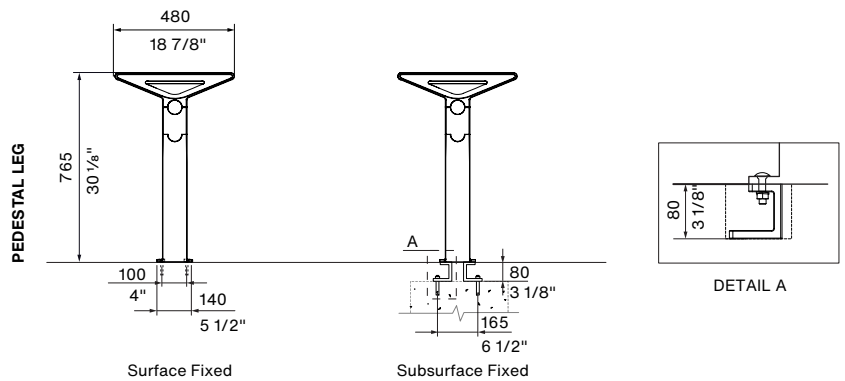


Aria Lookout Table 1200L
with Piatto Stool (QTY2)



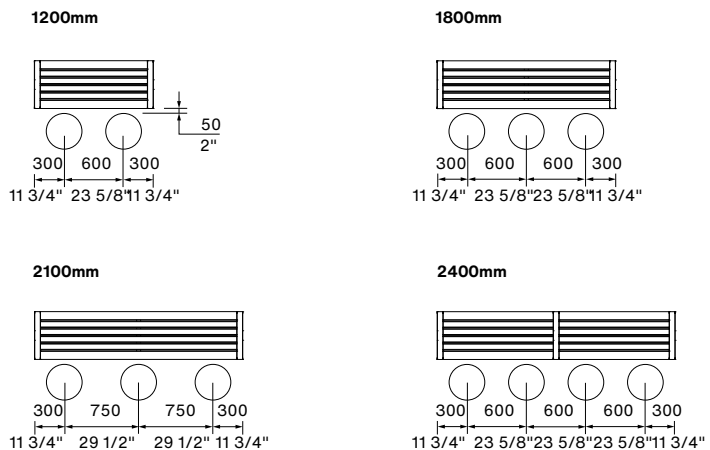
Aria Lookout Table 1800L
with Piatto Stool (QTY3)

LEG AND MOUNTING



CONFIGURATION EXAMPLES

Pairing the Aria Lookout Table with the Piatto or Cafe Stool.



aria lookout table



OPTIONAL EXTRAS:
 Refer to the separate technical sheet.
 [Chess Board](#)

Need more information?
 For a brochure, image gallery, CAD downloads, installation and maintenance guides, go to:
streetfurniture.com/au/product/aria-lookout-table/

Quick links:
streetfurniture.com/au/colour-chart/
streetfurniture.com/au/warranty/

