

The Forum Seat is a hybrid between a patio and street furniture product, features minimal design, and comes in a range of fade-resistant bright colours. It is DDA-compliant. Complement Forum with Cafe Tables and Stools.

MCODE:  
FS7

DIMENSIONS:  
555W x 735H x various lengths (mm)  
21 7/8" W x 29" H x various lengths

Select one box per category to specify your product.

- LENGTH:
- 1-seater (590mm | 23 1/4")
  - 3-seater (1500mm | 59")
  - 3-seater extended (1800mm | 70 7/8")
  - 4-seater (2500mm | 98 3/8")
  - Tailored

- FRAME:
- Cast aluminium powder coated  
(see colour chart)

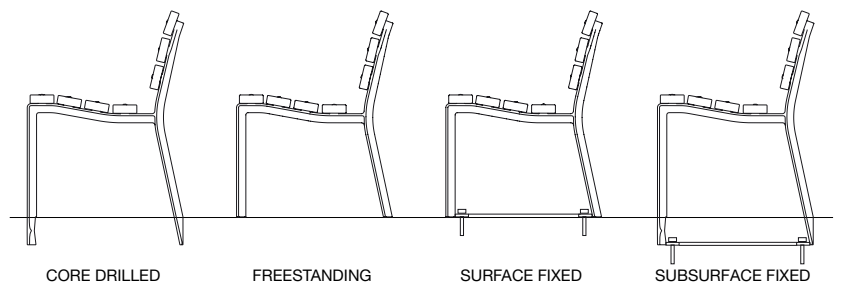
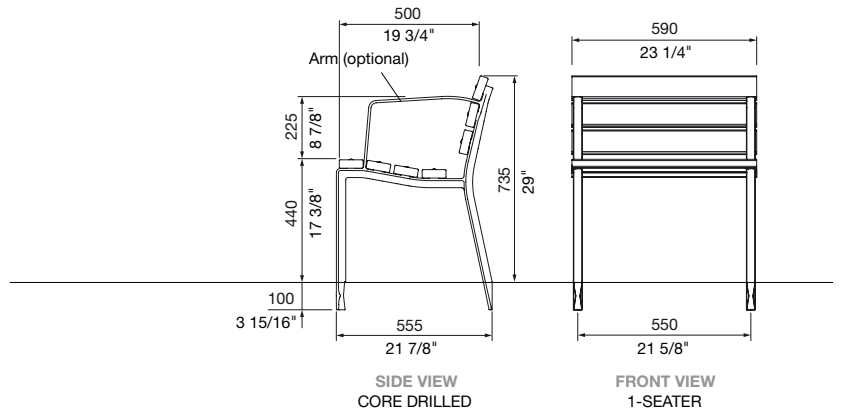
- MOUNTING:
- Core drilled (100mm below ground)
  - Freestanding
  - Surface fixed
  - Subsurface fixed

- BATTEN:
- Street Furniture Australia uses sustainable timber from certified managed forests. Timber requires oiling every three months. For a timber look with low maintenance, choose aluminium woodgrain.
- Eco-certified Jarrah hardwood, oiled (PEFC)
  - Aluminium anodised
  - Aluminium powder coated (see colour chart)
  - Aluminium woodgrain (see colour chart)
  - Tailored

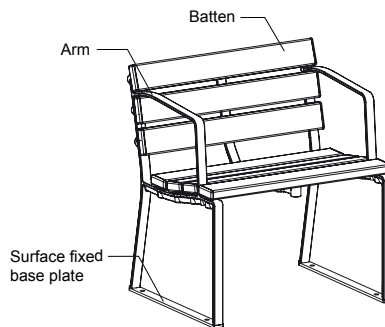
- BATTEN END CAP:
- Solid powder colour applies to aluminium battens only.
- Match batten colour
  - Match frame colour
  - Tailored (see colour chart)

- ARM:
- Integral arms
  - No arms

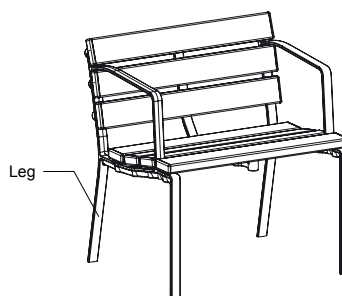
Some options incur additional fees and lead time.



MOUNTING OPTIONS



**FORUM SEAT**  
1-seater, surface fixed, with arms  
FS7



**FORUM SEAT**  
1-seater, freestanding, with arms  
FS7

**Need more information?**

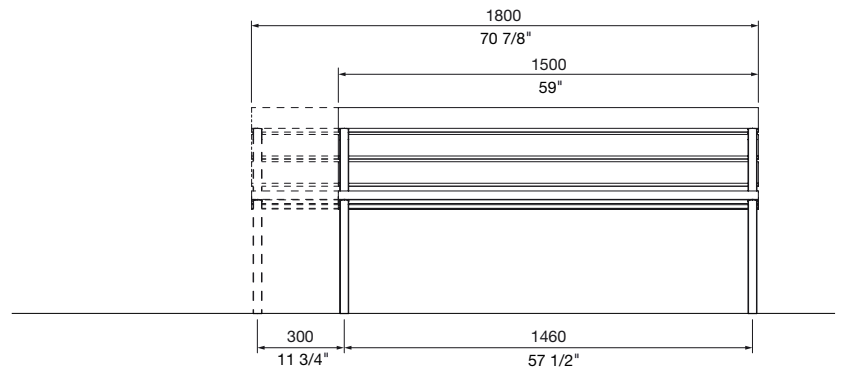
For a brochure, image gallery, CAD downloads, installation and maintenance guides, go to: [streetfurniture.com/au/product/forum-seat/](http://streetfurniture.com/au/product/forum-seat/)

**Quick links:**

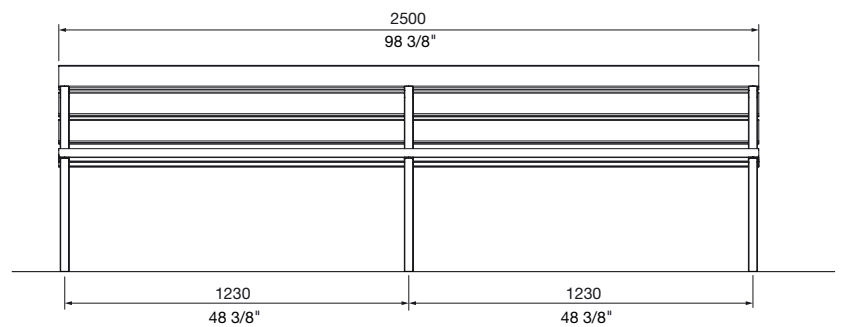
[streetfurniture.com/au/colour-chart/](http://streetfurniture.com/au/colour-chart/)

[streetfurniture.com/au/warranty/](http://streetfurniture.com/au/warranty/)

[streetfurniture.com/au/parts-promise/](http://streetfurniture.com/au/parts-promise/)



FRONT VIEW  
3-SEATER / 3 SEATER EXTENDED



FRONT VIEW  
4-SEATER

**LENGTH OPTIONS**