

wide bollard



Wide bollards in aluminium or stainless steel body come with a choice of two collars and two cast aluminium heads.

DIMENSIONS:

Ø165L x various heights (mm)
 Ø6 1/2" L x various heights

Select one box per category to specify your product.

HEAD:

- B8 Flat, no collar
- B3F Flat, single collar
- B2F Flat, double collar
- B3 Dome, single collar
- B2 Dome, double collar
- Tailored

HEAD AND COLLAR FINISH:

- [See Colour Chart](#)
- Cast aluminium
 - Powder coated
 - Polished

PIPE:

- Aluminium powder coated [See Colour Chart](#)
- Stainless 304 No.4 finish (brushed)
- Stainless 316 No.4 finish (brushed)

MOUNTING:

- Surface fixed
- Subsurface fixed
- Core drilled (300mm below ground)
- Removable surface fixed
- Removable in-ground
- Tailored

EYENUT:

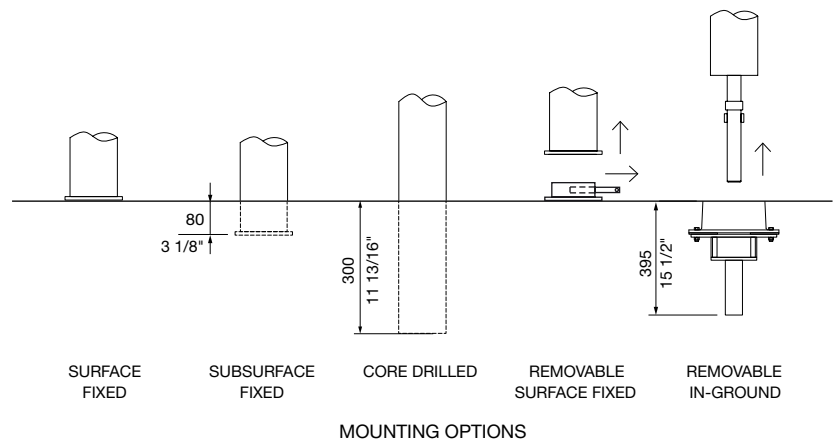
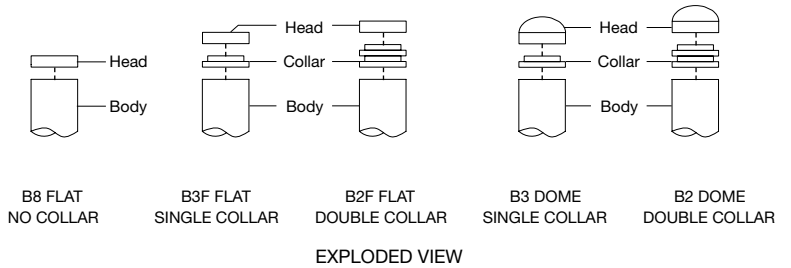
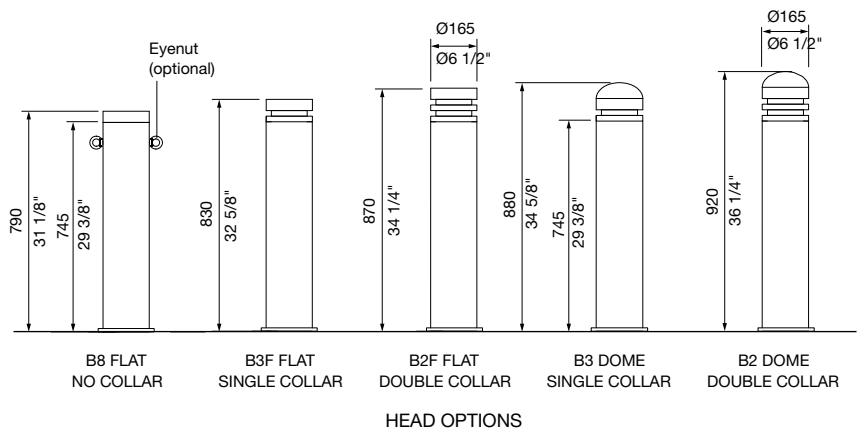
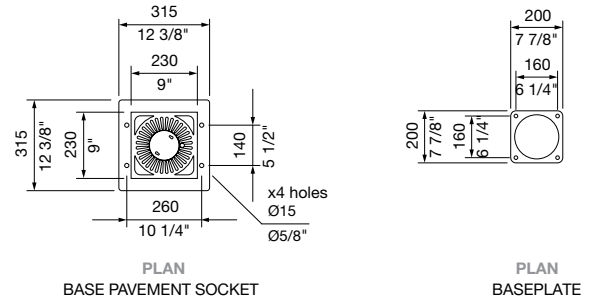
- None
- Qty 1
- Qty 2 (180° apart)
- Tailored

REFLECTIVE STRIP:

100mm wide strip.

- None
- Red
- Yellow
- White
- Tailored

Some options incur additional fees and lead time.



September 2024

wide bollard

This is a
carbon neutral
product.



Need more information?

For a brochure, image gallery, CAD downloads, installation and maintenance guides, go to:

streetfurniture.com/au/product/wide-bollard/

Quick links:

streetfurniture.com/au/colour-chart/

streetfurniture.com/au/warranty/