

The wide U-shaped bicycle stand wholly supports the bicycle at two points.
Complies with AS2890.3 Class 3.

MCODE:
BST03

DIMENSIONS:
845L x 120W x 850H (mm)
33 1/4" L x 4 3/4" W x 33 1/2" H

Select one box per category to specify your product.

PIPE:

- Stainless 304 No.4 finish (brushed)
- Stainless 316 No.4 finish (brushed)
- Tailored

MOUNTING:

- Surface fixed
- Subsurface fixed
- Core drilled (300mm below ground)
- Tailored

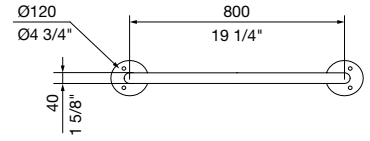
Some options incur additional fees and lead time.

Need more information?

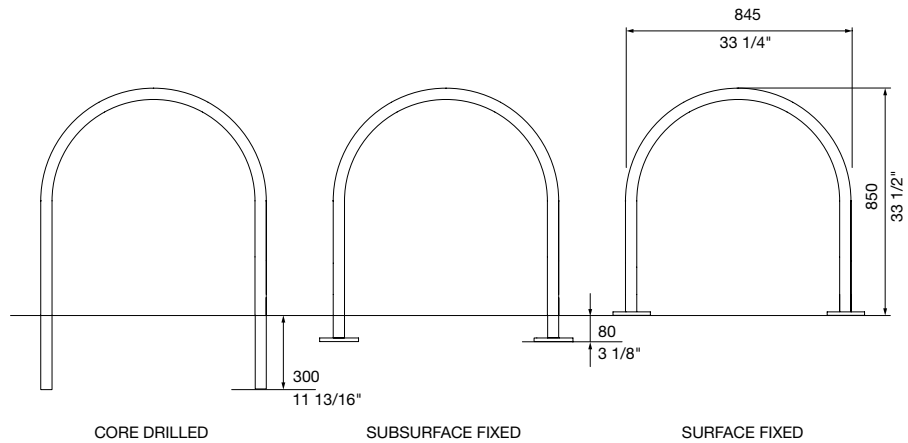
For a brochure, image gallery, CAD downloads, installation and maintenance guides, go to:
streetfurniture.com/au/product/semi-hoop/

Quick links:

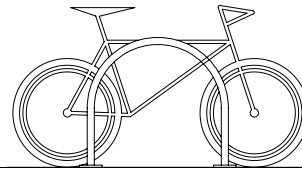
streetfurniture.com/au/colour-chart/
streetfurniture.com/au/warranty/
streetfurniture.com/au/parts-promise/



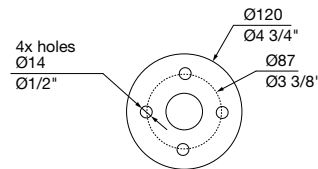
TOP VIEW



MOUNTING OPTIONS



FRONT VIEW WITH BIKE



BASE PLATE DETAIL