

park bench

street furniture™ technical sheets

<u>product name</u>	<u>mcode</u>	<u>page</u>
Park Bench	PB5	2
Park DDA Bench	PB5-DDA	3

park dda bench



Classic outdoor bench, timeless and accommodating. Wide battens are bolted to cast aluminium frames.

DIMENSIONS:

485W x 435H x various lengths (mm)
19 1/8" W x 17 1/8" H x various lengths

Select one box per category to specify your product.

LENGTH:

- *815mm | 32 1/8"
- 1500mm | 59"
- 1800mm | 70 7/8"
- 2500mm | 98 3/8"
- Tailored

* For wheelchair side access in a table setting.

FRAME:

[See colour chart](#)

- Cast aluminium powder coated

MOUNTING:

- Surface fixed
- Subsurface fixed
- Freestanding
- Tailored

BATTEN:

- Aluminium Woodgrain [See Colour Chart](#)
- Aluminium Powder Coated [See Colour Chart](#)
- Aluminium Anodised
- Eco-certified Hardwood Oiled*

*Sourced from certified managed forests (PEFC or FSC). Hardwood needs re-oiling every 3 months.

For a wood look with low maintenance, choose Aluminium Woodgrain (also known as Wood Without Worry).

BATTEN ENDCAP COLOUR:

- Match Batten
- Match Frame

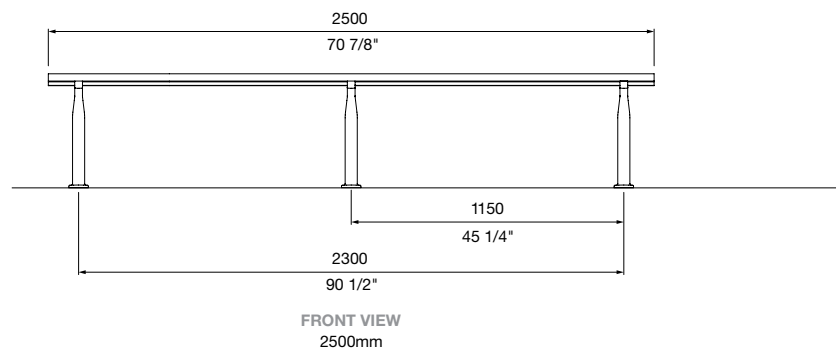
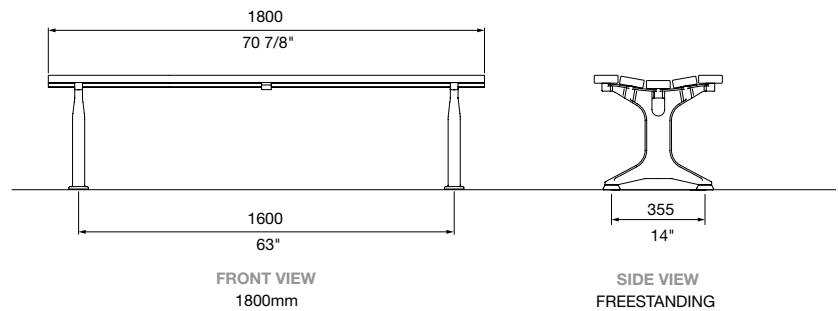
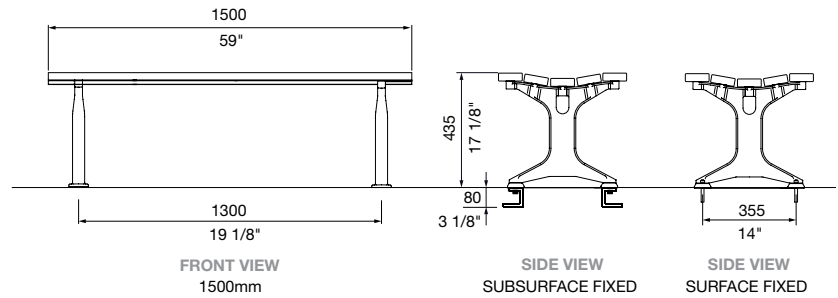
Some options incur additional fees and lead time.

Need more information?

For a brochure, image gallery, CAD downloads, installation and maintenance guides, go to: streetfurniture.com/au/product/park-bench/

Quick links:

- streetfurniture.com/au/colour-chart/
- streetfurniture.com/au/warranty/



park dda bench



The Park DDA range features dedicated castings for accessible and comfortable seats, benches and table settings.

DIMENSIONS:

485W x 470H x various lengths (mm)
19 1/8" W x 18 1/2" H x various lengths

Select one box per category to specify your product.

LENGTH:

- *815mm | 32 1/8"
- 1500mm | 59"
- 1800mm | 70 7/8"
- 2500mm | 98 3/8"
- Tailored

* For wheelchair side access in a table setting.

FRAME:

[See colour chart](#)

- Cast aluminium powder coated

MOUNTING:

- Surface fixed
- Subsurface fixed
- Tailored

BATTEN:

- Aluminium Woodgrain [See Colour Chart](#)
- Aluminium Powder Coated [See Colour Chart](#)
- Aluminium Anodised
- Eco-certified Hardwood Oiled*

*Sourced from certified managed forests (PEFC or FSC). Hardwood needs re-oiling every 3 months. For a wood look with low maintenance, choose Aluminium Woodgrain (also known as Wood Without Worry).

BATTEN ENDCAP COLOUR:

- Match Batten
- Match Frame

Some options incur additional fees and lead time.

Need more information?

For a brochure, image gallery, CAD downloads, installation and maintenance guides, go to: streetfurniture.com/au/product/park-dda-bench/

Quick links:

- streetfurniture.com/au/colour-chart/
- streetfurniture.com/au/warranty/

