

Small table



Comfortable and timeless, this versatile table is suitable for a range of public environments.

MCODE:

Standard CMM6

DDA (Wheelchair Accessible) CMM6-DDA

DIMENSIONS:

Standard

720W x 720H x various lengths (mm)

28 3/8" W x 28 3/8" H x various lengths

DDA (Wheelchair Accessible)

720W x 840H x various lengths (mm)

28 3/8" W x 33 1/8" H x various lengths

Select one box per category to specify your product.

TYPE:

Standard

DDA (Wheelchair Accessible)*

*DDA tables must be fixed to the ground.

LEG AND MOUNTING:

Tee Leg

- Surface Fixed
- Subsurface Fixed
- Freestanding

LENGTH:

- 1750mm | 68 7/8"
- 2100mm | 82 5/8"
- Tailored

FRAME:

[See Colour Chart](#)

Cast Aluminium Powder Coated

BATTEN:

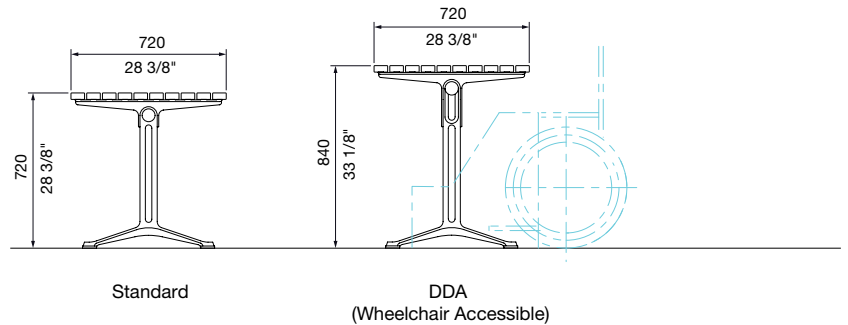
- Aluminium Woodgrain [See Colour Chart](#)
- Aluminium Powder Coated [See Colour Chart](#)
 - Single Colour
 - Multicolour
- Aluminium Anodised
- Eco-certified Hardwood Oiled*

*Sourced from certified managed forests (PEFC or FSC). Hardwood needs re-oiling every 3 months. For a wood look with low maintenance, choose Aluminium Woodgrain (also known as Wood Without Worry).

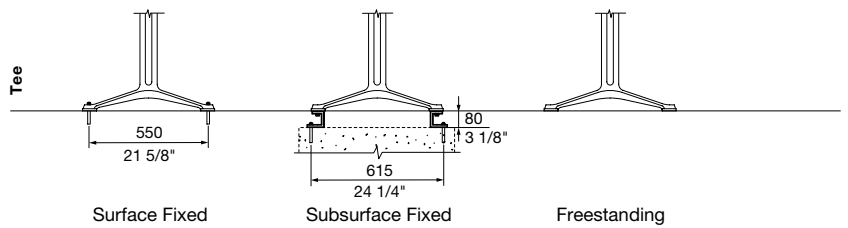
BATTEN ENDCAP COLOUR:

- Match Batten
- Match Frame

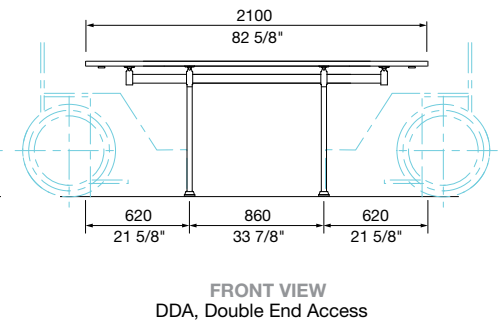
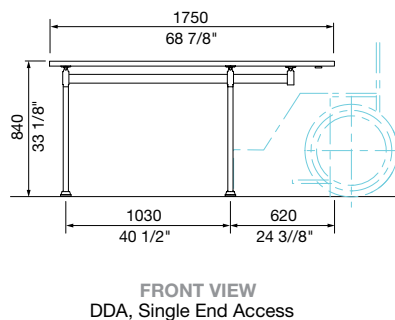
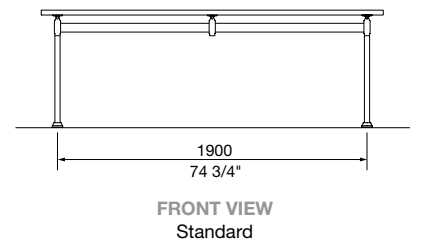
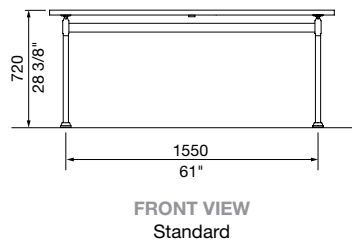
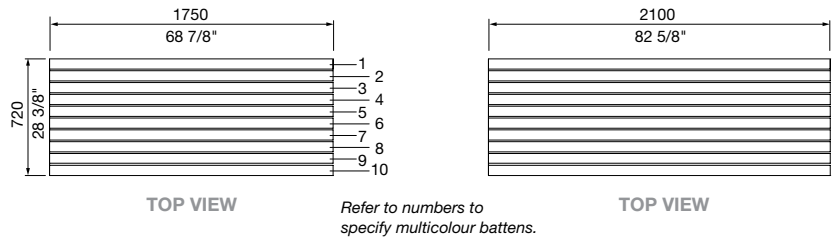
TYPE



LEG AND MOUNTING



LENGTH



mall table



WHEELCHAIR ACCESS (DDA Only):

- Side Access
- Single End Access
- Double End Access*

*Min. 2100mm length only.

COMPATIBLE SEATING:

Refer to separate technical sheet.

- Mall Seat (CMM1, CMM5)
- Mall Bench (CMM4)
- Mall Slim Bench (CMM8)

DDA Table only compatible with Post Leg to better suit the taller DDA table height.

CHESS BOARD:

- None
- Chess Board 405x405(mm) | 15 15/16" x 15 15/16"

Some options incur additional fees and lead time.

Need more information?

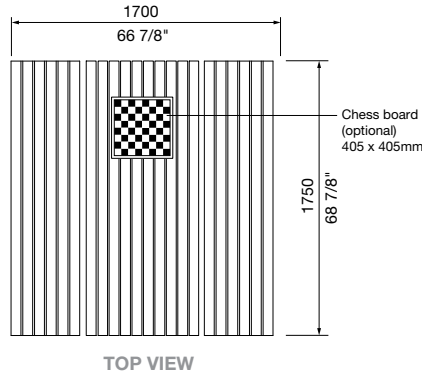
For a brochure, image gallery, CAD downloads, installation and maintenance guides, go to: streetfurniture.com/au/product/mall-table/

Quick links:

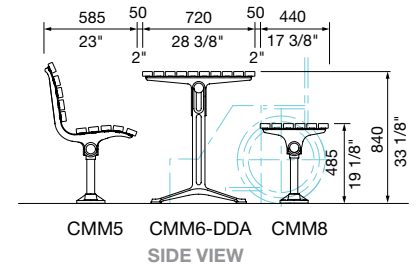
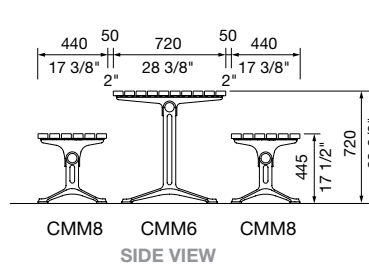
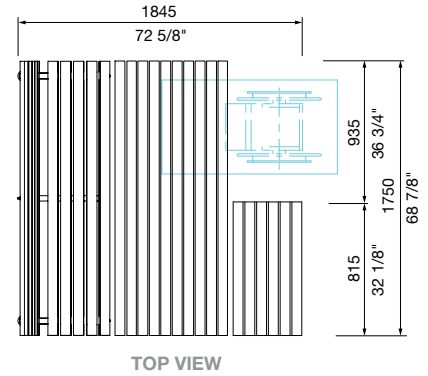
- streetfurniture.com/au/colour-chart/
- streetfurniture.com/au/warranty/

CONFIGURATION EXAMPLES

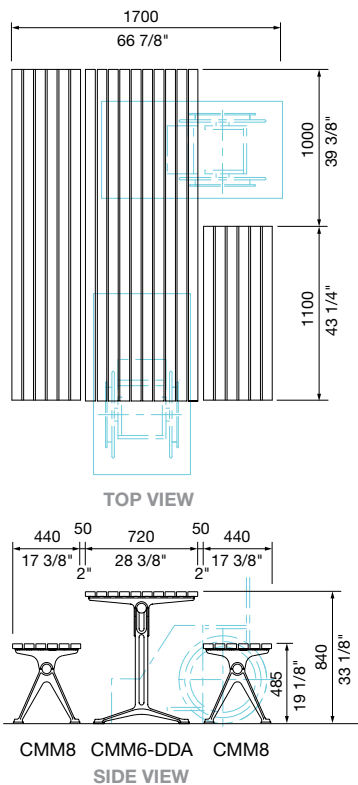
Standard, 1750mm



DDA with side access, 1750mm



DDA with Side and Single End Access, 2100mm



DDA Double End Access, 2100mm

