

Comfortable and timeless, this versatile bench is suitable for a range of public environments.

MCODE:
CMM4

DIMENSIONS:
615W x 435H x various lengths (mm)
24 3/16" W x 17 1/8" H x various lengths

Select one box per category to specify your product.

LEG AND MOUNTING:

- Splay
 - Surface Fixed
 - Subsurface Fixed
 - Freestanding
 - Arch
 - Surface Fixed
 - Subsurface Fixed
 - Freestanding
 - Tee
 - Surface Fixed
 - Subsurface fixed
 - Freestanding
 - Pedestal
 - Surface Fixed
 - Subsurface Fixed
 - Post*
 - Surface Fixed with Cast Base
 - Subsurface Fixed with Baseplate
 - Core Drilled (300mm Below Ground)
 - Wall (Fixed to Side of Wall)
 - Plinth (Fixed on Top of Wall)
- *Specify 'Splay' or 'Post Leg for DDA Setting' to match a taller table, i.e., wheelchair accessible setting.

ARM:

- None
- Bolt-on Elliptical Arms
 - Powder Coated [See Colour Chart](#)
 - Polished

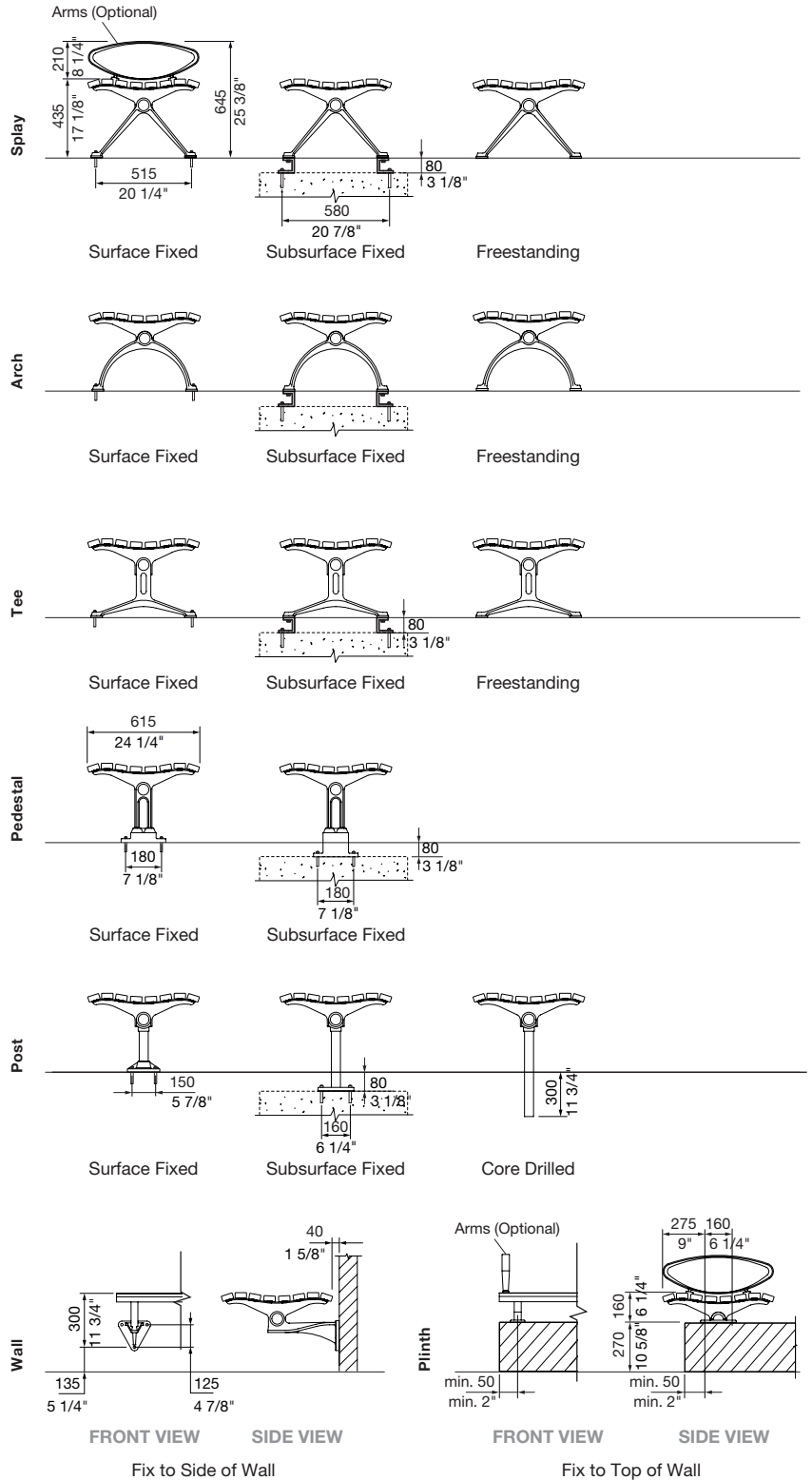
ARM QUANTITY:

- 2
- 3
- Tailored

FRAME:

- [See colour chart](#)
- Cast Aluminium Powder Coated

LEG AND MOUNTING



LENGTH:

- 1750mm | 68 7/8" (Max. 25kg | 55lbs)
- 2100mm | 82 11/16" (Max. 30kg | 66lbs)
- Tailored

BATTEN:

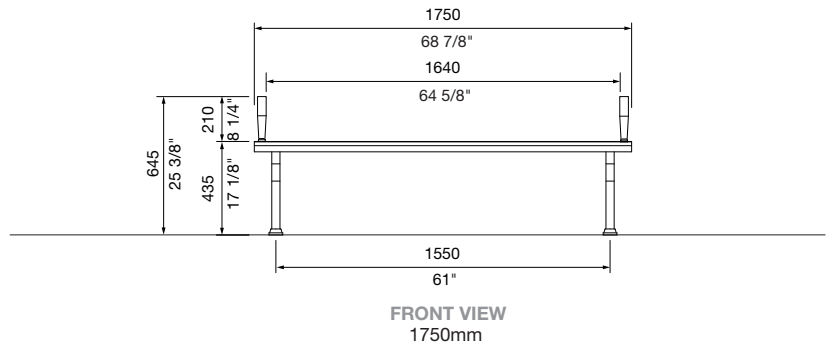
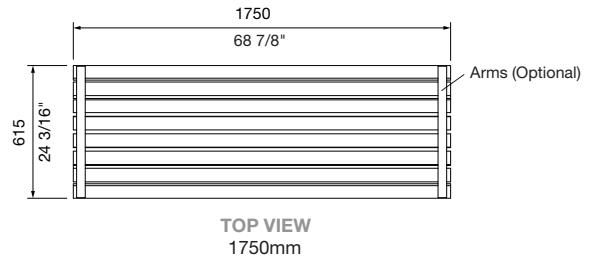
- Aluminium Woodgrain [See Colour Chart](#)
- Aluminium Powder Coated [See Colour Chart](#)
 - Single Colour
 - Multicolour
- Aluminium Anodised
- Eco-certified Hardwood Oiled*

*Sourced from certified managed forests (PEFC or FSC). Hardwood needs re oiling every 3 months. For a wood look with low maintenance, choose Aluminium Woodgrain (also known as Wood Without Worry).

BATTEN ENDCAP COLOUR:

- Match Batten
- Match Frame

Some options incur additional fees and lead time.

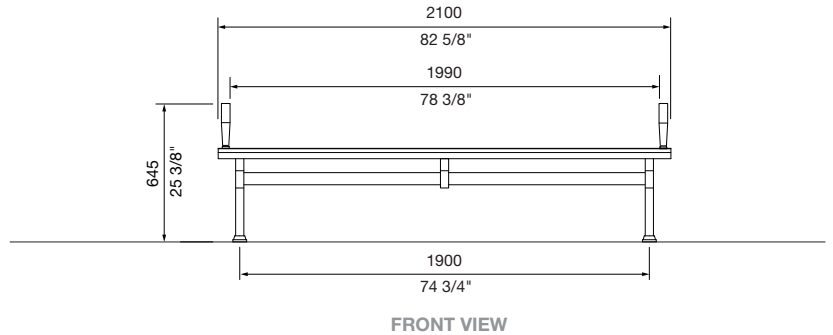


Need more information?

For a brochure, image gallery, CAD downloads, installation and maintenance guides, go to: streetfurniture.com/au/product/mall-bench/

Quick links:

- streetfurniture.com/au/colour-chart/
- streetfurniture.com/au/warranty/



BATTEN MAP

Refer to numbers to specify multicolour battens.

