

Round, square and rectangular planters add colour and greenery to soften urban settings. Available in a range of sizes and heights, with solid, perforated or batted body options.

Liner included.

Select one box per category to specify your product.

CONFIGURATION AND DIMENSION:

- Rectangular** (Max. 36kg | 80lbs)
500W x 1000L x 560H (mm)
19 3/4" W x 39 3/8" L x 22" H
- Square** (Max. 57kg | 125lbs)
1000W x 1000L x 560H (mm)
39 3/8" W x 39 3/8" L x 22" H
- Square XL** (Max. 66kg | 145lbs)
1000W x 1000L x 800H (mm)
39 3/8" W x 39 3/8" L x 31 1/2" H
- Round** (Max. 40kg | 88lbs)
Ø500 x 500H (mm)
Ø19 3/4" x 19 3/4" H
- Round Tall** (Max. 46kg | 101lbs)
Ø500 x 700H (mm)
Ø19 3/4" x 27 1/2" H
- Round Large** (Max. 51kg | 112lbs)
Ø700 x 500H (mm)
Ø27 1/2" x 19 3/4" H
- Round XL** (Max. 130kg | 287lbs)
Ø1000 x 800H (mm)
Ø39 3/8" x 31 1/2" H
- Tailored

FRAME:

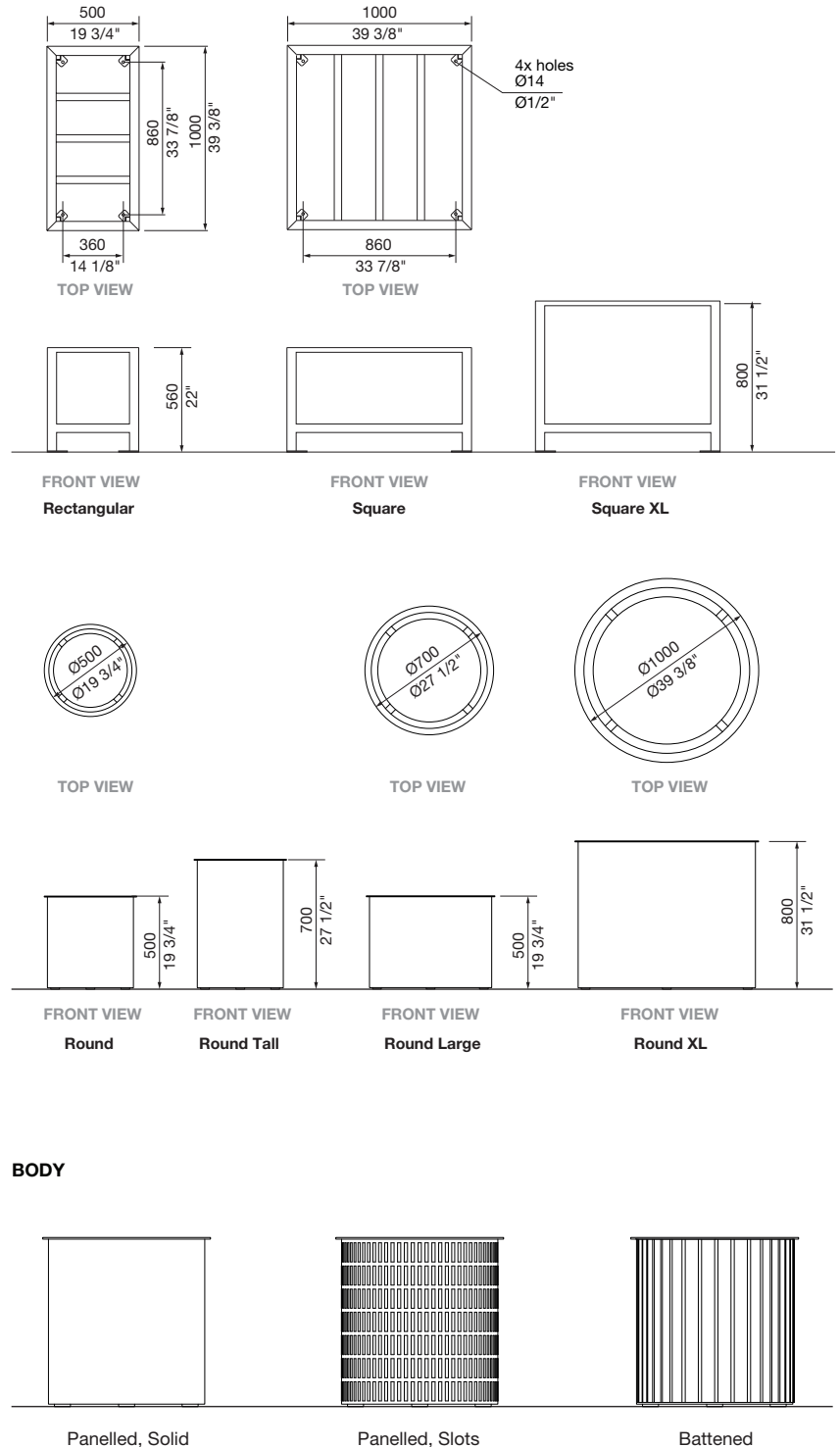
[See Colour Chart](#)

Fabricated Aluminium Powder Coated

BODY:

- Panelled**
 - Solid
 - Slots
 - Custom Perforations
- Battened**
 - Aluminium Woodgrain [See Colour Chart](#)
 - Aluminium Powder Coated [See Colour Chart](#)
 - Single Colour
 - Multicolour
 - Aluminium Anodised
 - Eco-certified Hardwood Oiled*

*Sourced from Australian PEFC managed forests. Hardwood needs re oiling every 3 months. For a wood look with low maintenance, choose Aluminium Woodgrain (also known as Wood Without Worry).



LINER:

- Black Polyliner
(for Rectangular and Square Planter)
- Aluminium Liner
(for Square XL and all Round Planter)

MOUNTING:

- Surface Fixed
- Surface Fixed with Adjustable Feet
- Freestanding
- Tailored

OPTIONAL EXTRAS:

Additional cost applies.

- WaterUps® Wicking Bed
*Integrated in the liner with 130mm depth.
Not available for Round Ø500 x 500H (mm).*
- Drip Tray

Some options incur additional fees and lead time.

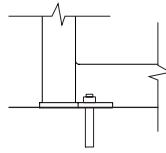
Need more information?

For a brochure, image gallery, CAD downloads, installation and maintenance guides, go to:
streetfurniture.com/au/product/frame-planter/

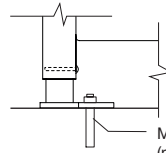
Quick links:

- streetfurniture.com/au/colour-chart/
- streetfurniture.com/au/warranty/

MOUNTING

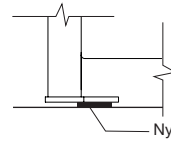


FRONT VIEW
Surface Fixed



FRONT VIEW
Surface Fixed with
Adjustable Feet

M12 Dynabolt
(not supplied)

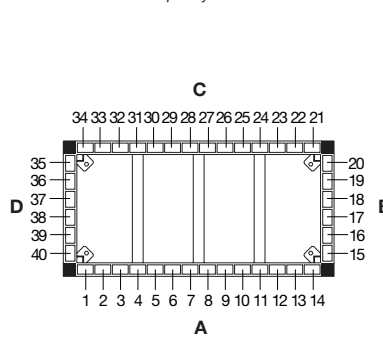


FRONT VIEW
Freestanding

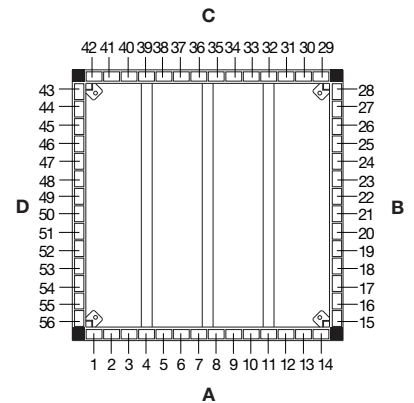
Nylon Skid

BATTEN MAP

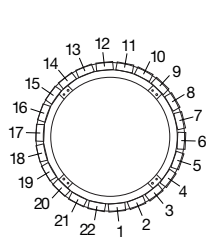
Refer to numbers to specify multicolour battens.



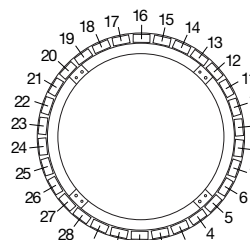
Rectangular



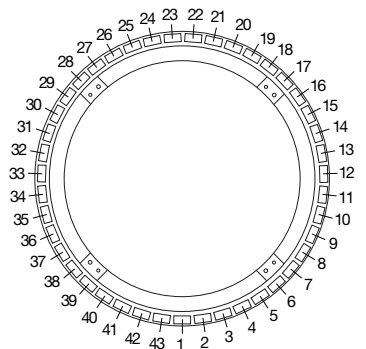
Square and Square XL



Round
and Round Tall



Round Large



Round XL