

Best-selling ash cylinder, compact and easily fixed to posts, columns and walls. Security key provided.

MCODE:
AC1

DIMENSIONS:
150L x 200W x 300H (mm)
5 7/8" L x 7 7/8" W x 11 13/16" H

Select one box per category to specify your product.

CAPACITY:

3L

BODY:

Cast aluminium powder coated
(see colour chart)

LOCK:

Spring Lock

MOUNTING:

Wall-mount

Bin-mount

Post clamp Ø60mm or Ø2 3/8" (no post)

Post clamp Ø60mm or Ø2 3/8" with post
(1200mm or 47 1/4" H, surface fixed)

Some options incur additional fees and lead time.

Need more information?

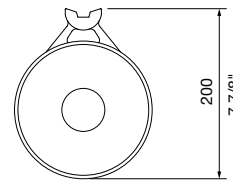
For a brochure, image gallery, CAD downloads, installation and maintenance guides, go to:
streetfurniture.com/au/product/ash-cylinder/

Quick links:

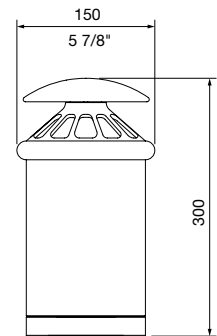
streetfurniture.com/au/colour-chart/

streetfurniture.com/au/warranty/

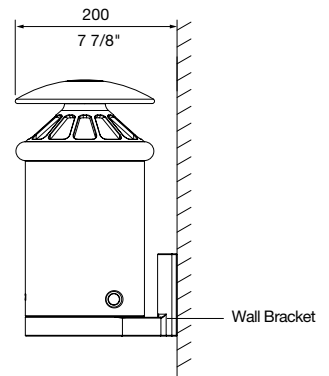
streetfurniture.com/au/parts-promise/



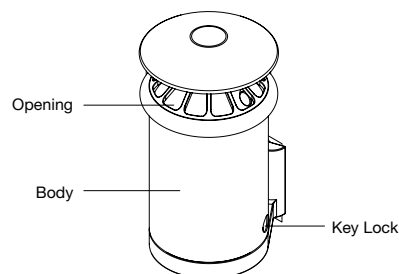
TOP VIEW



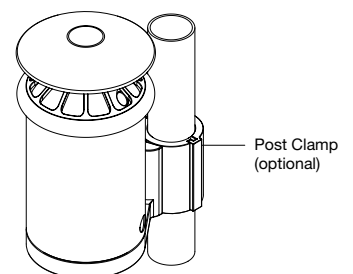
FRONT VIEW



SIDE VIEW



WALL MOUNT



POST MOUNT

MOUNTING OPTIONS