

classic plaza table

street furniture™ technical sheets

<u>product name</u>	<u>mcode</u>	<u>page</u>
Classic Plaza Table	CMP6	2
Classic Plaza DDA Table	CMP6-DDA	4

classic plaza table

This is a carbon neutral product.



Classic picnic table with curved edges supported by strong stainless steel frames.

DIMENSIONS:

740W x 720H x various lengths (mm)
29 1/8" W x 28 3/8" H x various lengths

Select one box per category to specify your product.

LENGTH:

- 1750mm | 68 7/8"
- 2100mm | 82 11/16"
- Tailored

FRAME:

[See colour chart](#)

- Stainless 304 powder coated

LEG AND MOUNTING:

- Surface fixed
- Subsurface fixed
- Core drilled (300mm below ground)

BATTEN:

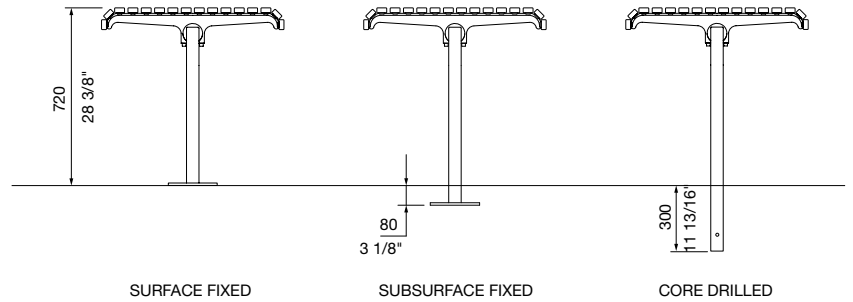
- Aluminium Woodgrain [See Colour Chart](#)
- Aluminium Powder Coated [See Colour Chart](#)
- Aluminium Anodised
- Eco-certified Hardwood Oiled*

**Sourced from certified managed forests (PEFC or FSC). Hardwood needs re-oiling every 3 months. For a wood look with low maintenance, choose Aluminium Woodgrain (also known as Wood Without Worry).*

BATTEN ENDCAP COLOUR:

- Match Batten
- Match Frame

Some options incur additional fees and lead time.

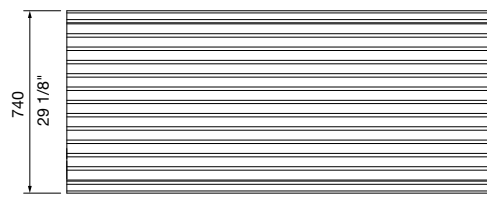


SURFACE FIXED

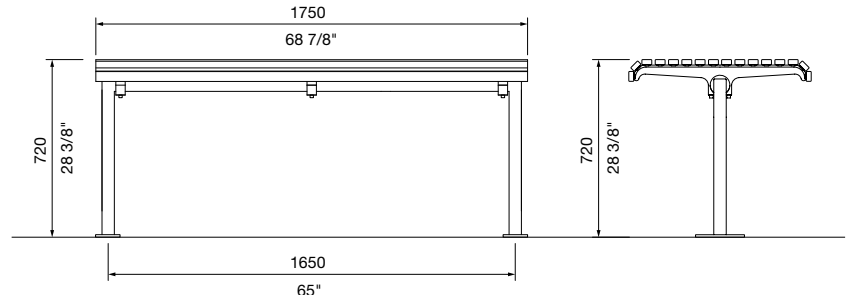
SUBSURFACE FIXED

CORE DRILLED

LEG AND MOUNTING OPTIONS

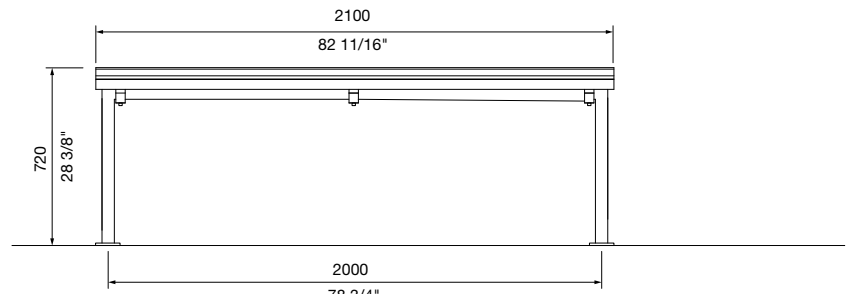


TOP VIEW
1750mm

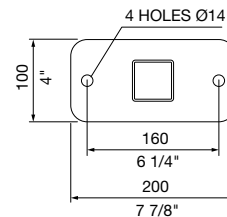


FRONT VIEW
1750mm

SIDE VIEW
SURFACE FIXED



FRONT VIEW
2100mm



BASEPLATE DETAIL
SURFACE FIXED

classic plaza table

This is a carbon neutral product.



COMPATIBLE SEATING:

Refer to separate technical sheet.

- Classic Plaza DDA Seat (CMP5)
- Classic Plaza Bench (CMP4)

CHESS BOARD:

- None
- Chess Board 405x405(mm) | 15 15/16" x 15 15/16"

Need more information?

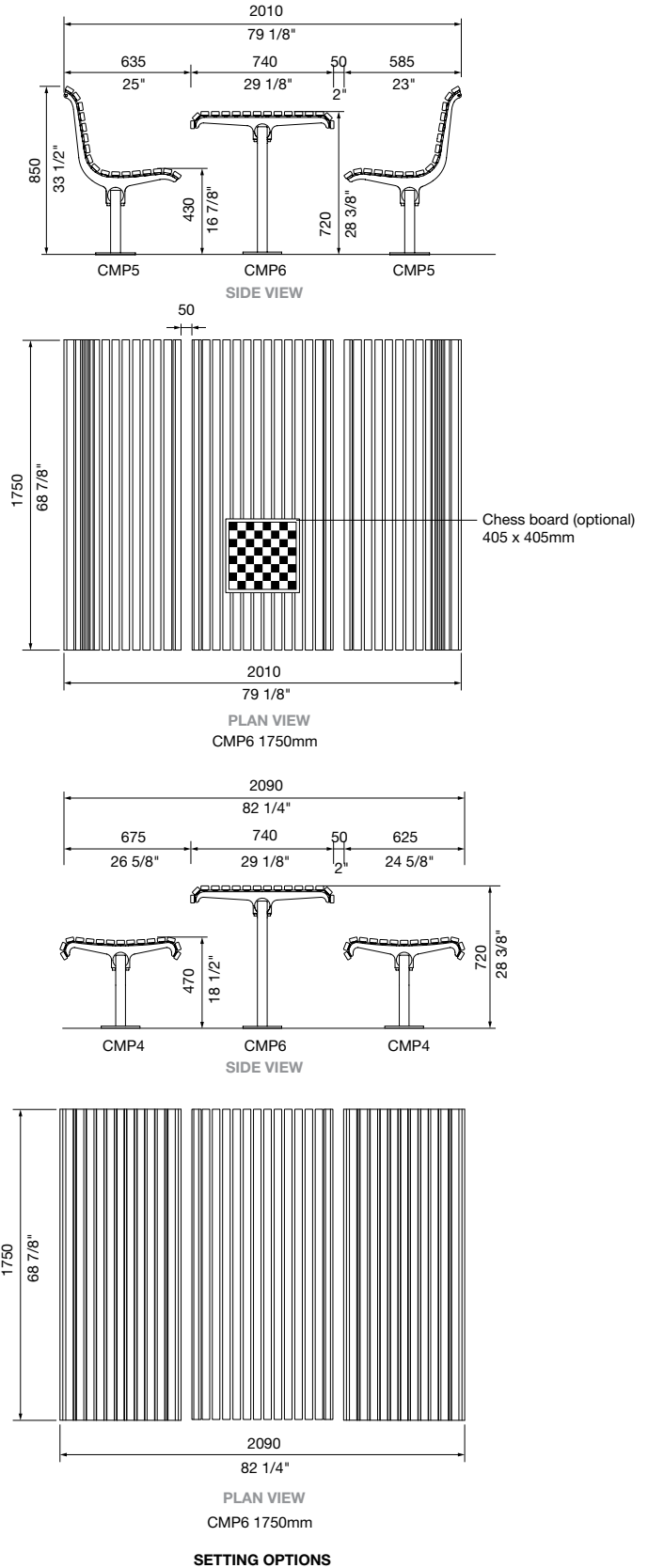
For a brochure, image gallery, CAD downloads, installation and maintenance guides, go to:

streetfurniture.com/au/product/classic-plaza-table/

Quick links:

streetfurniture.com/au/colour-chart/

streetfurniture.com/au/warranty/



classic plaza dda table

This is a carbon neutral product.



Classic picnic table with curved edges supported by strong stainless steel frames. Complies with AS1428.2-1992.

DIMENSIONS:

740W x 850H x various lengths (mm)
29 1/8" W x 33 1/2" H x various lengths

Select one box per category to specify your product.

LENGTH:

- 1750mm | 68 7/8"
- 2100mm | 82 11/16"
- Tailored

FRAME:

[See colour chart](#)

- Stainless 304 powder coated

LEG AND MOUNTING:

- Surface fixed
- Subsurface fixed
- Core drilled (300mm below ground)

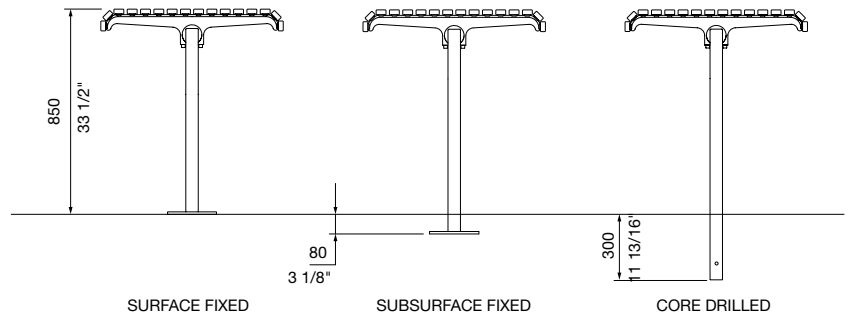
BATTEN:

- Aluminium Woodgrain [See Colour Chart](#)
- Aluminium Powder Coated [See Colour Chart](#)
- Aluminium Anodised
- Eco-certified Hardwood Oiled*

**Sourced from certified managed forests (PEFC or FSC). Hardwood needs re-oiling every 3 months. For a wood look with low maintenance, choose Aluminium Woodgrain (also known as Wood Without Worry).*

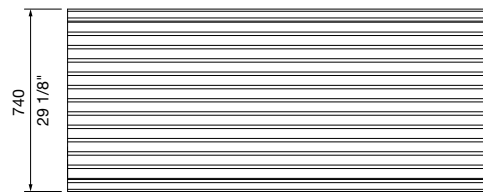
BATTEN ENDCAP COLOUR:

- Match Batten
- Match Frame

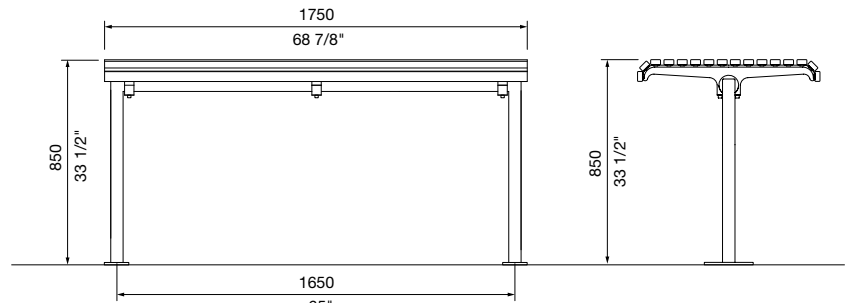


SURFACE FIXED SUBSURFACE FIXED CORE DRILLED

LEG AND MOUNTING OPTIONS

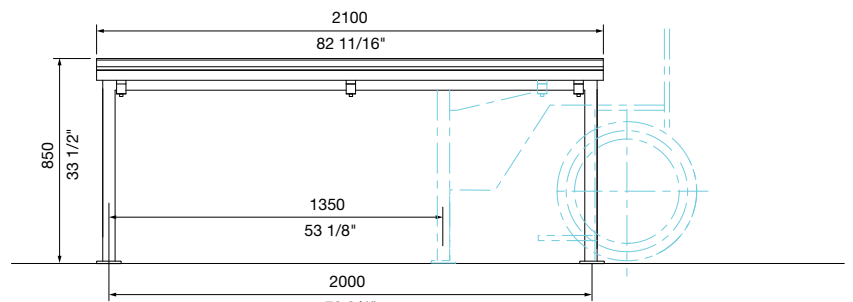


TOP VIEW
1750mm

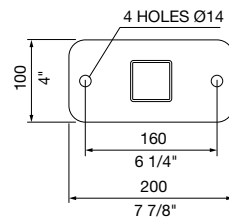


FRONT VIEW
1750mm

SIDE VIEW
SURFACE FIXED



FRONT VIEW
2100mm



BASEPLATE DETAIL
SURFACE FIXED

classic plaza dda table



WHEELCHAIR ACCESS:

DDA tables specified with end-access (one end or both ends) must be fixed to the ground - surface fixed, subsurface fixed or core drilled.

- Side access
- Access from 1 end
- Access from both ends (only for 2100mm)

COMPATIBLE SEATING:

- Classic Plaza Seat for DDA setting (CMP5)
 - Surface fixed
 - Subsurface fixed
 - Core drilled (300mm below ground)
- Classic Plaza Bench for DDA setting (CMP4)
 - Surface fixed
 - Subsurface fixed
 - Core drilled (300mm below ground)

CHESS BOARD:

- None
- Chess Board 405x405(mm) | 15 15/16" x 15 15/16"

Some options incur additional fees and lead time.

Need more information?

For a brochure, image gallery, CAD downloads, installation and maintenance guides, go to:

streetfurniture.com/au/product/classic-plaza-table/

Quick links:

streetfurniture.com/au/colour-chart/

streetfurniture.com/au/warranty/

