

classic galleria table

street furniture™ technical sheets

<u>product name</u>	<u>mcode</u>	<u>page</u>
Classic Galleria Table	CMG6	2
Classic Galleria DDA Table	CMG6-DDA	4

classic galleria table

This is a carbon neutral product.



Classic picnic table with curved edges supported by strong, cast aluminium frames.

DIMENSIONS:

740W x 720H x various lengths (mm)
29 1/8" W x 28 3/8" H x various lengths

Select one box per category to specify your product.

LENGTH:

- 1750mm | 68 7/8"
- 2100mm | 82 11/16"
- Tailored

FRAME:

[See colour chart](#)

- Cast aluminium powder coated

LEG AND MOUNTING:

- 08 Tee Table (DDA height)
 - Surface fixed
 - Subsurface fixed
 - Freestanding

BATTEN:

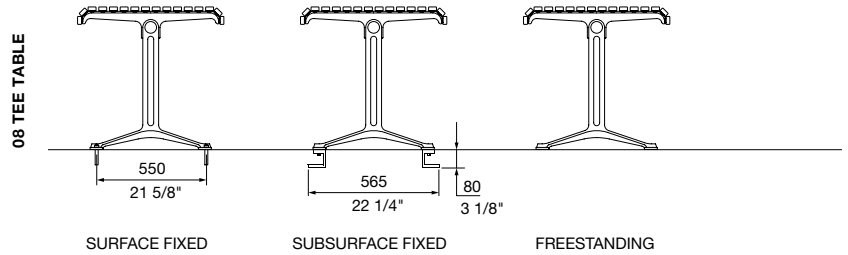
- Aluminium Woodgrain [See Colour Chart](#)
- Aluminium Powder Coated [See Colour Chart](#)
- Aluminium Anodised
- Eco-certified Hardwood Oiled*

*Sourced from certified managed forests (PEFC or FSC). Hardwood needs re-oiling every 3 months. For a wood look with low maintenance, choose Aluminium Woodgrain (also known as Wood Without Worry).

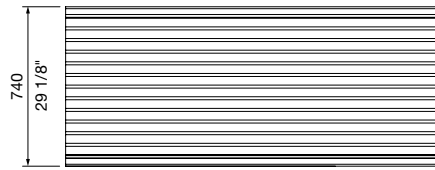
BATTEN ENDCAP COLOUR:

- Match Batten
- Match Frame

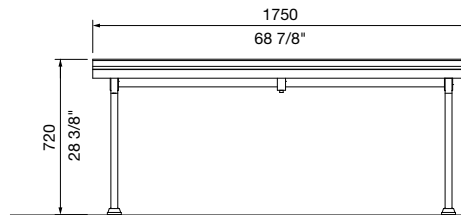
Some options incur additional fees and lead time.



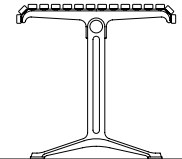
LEG AND MOUNTING OPTIONS



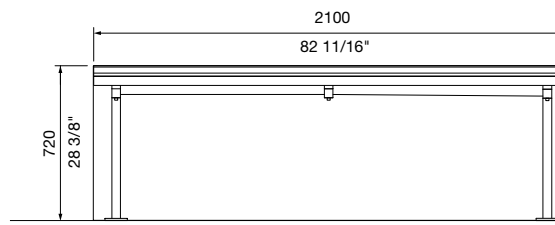
TOP VIEW
1750mm



FRONT VIEW
1750mm



SIDE VIEW
TEE TABLE LEG



FRONT VIEW
2100mm

classic galleria table

This is a carbon neutral product.



COMPATIBLE SEATING:

Refer to separate technical sheet.

- Classic Galleria DDA Seat (CMG5)
- Classic Galleria Slim Bench (CMG8)

CHESS BOARD:

- None
- Chess Board 405x405(mm) | 15 15/16" x 15 15/16"

Need more information?

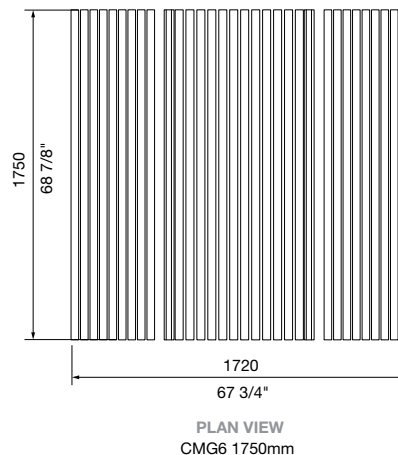
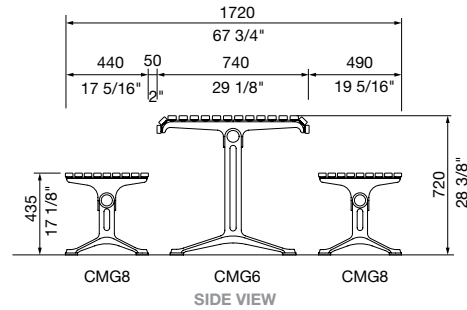
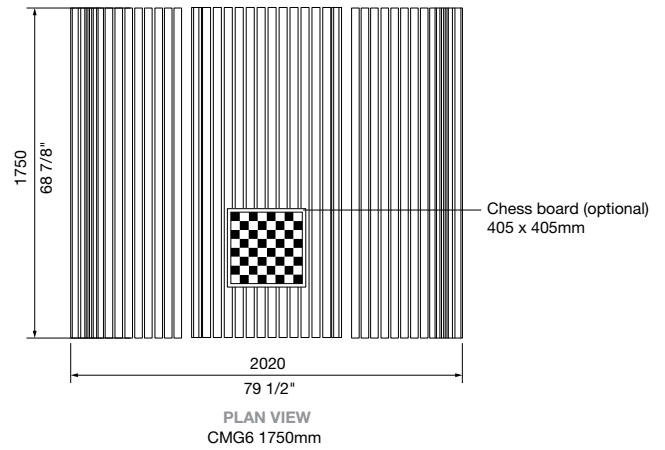
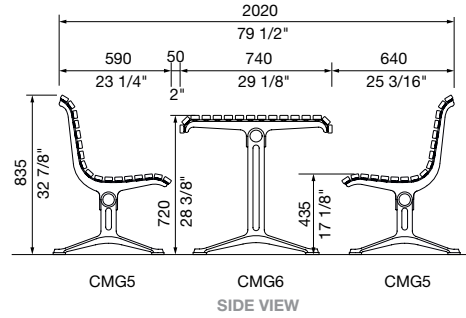
For a brochure, image gallery, CAD downloads, installation and maintenance guides, go to:

streetfurniture.com/au/product/classic-galleria-table/

Quick links:

streetfurniture.com/au/colour-chart/

streetfurniture.com/au/warranty/



SETTING OPTIONS

classic galleria dda table

Classic picnic table with curved edges supported by strong, cast aluminium frames. Complies with AS1428.2-1992.

DIMENSIONS:

740W x 850H x various lengths (mm)
29 1/8" W x 33 7/16" H x various lengths

Select one box per category to specify your product.

LENGTH:

- 1750mm | 68 7/8"
- 2100mm | 82 11/16"
- Tailored

FRAME:

[See colour chart](#)

- Cast aluminium powder coated

LEG AND MOUNTING:

- 08 Tee Table (DDA height)
 - Surface fixed
 - Subsurface fixed
 - Freestanding

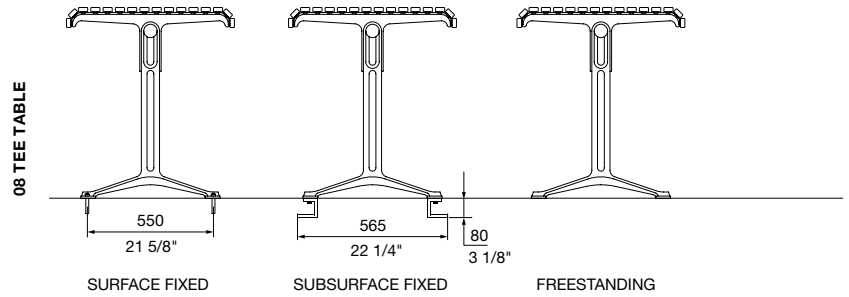
BATTEN:

- Aluminium Woodgrain [See Colour Chart](#)
- Aluminium Powder Coated [See Colour Chart](#)
- Aluminium Anodised
- Eco-certified Hardwood Oiled*

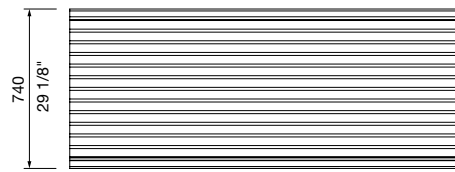
*Sourced from certified managed forests (PEFC or FSC). Hardwood needs re-oiling every 3 months. For a wood look with low maintenance, choose Aluminium Woodgrain (also known as Wood Without Worry).

BATTEN ENDCAP COLOUR:

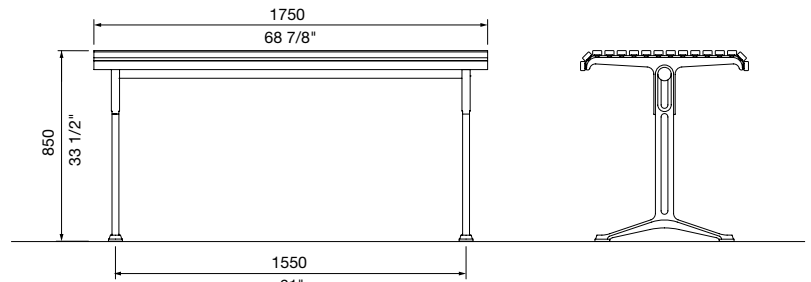
- Match Batten
- Match Frame



LEG AND MOUNTING OPTIONS

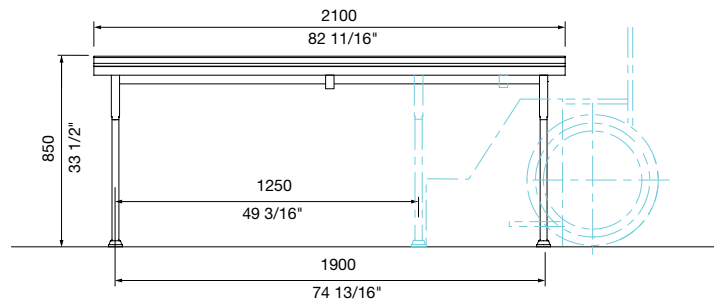


TOP VIEW
1750mm



FRONT VIEW
1750mm

SIDE VIEW
TEE TABLE LEG



FRONT VIEW
2100mm

classic galleria dda table

This is a carbon neutral product.



WHEELCHAIR ACCESS:

DDA tables specified with end-access (one end or both ends) must be fixed to the ground - surface fixed, subsurface fixed or core drilled.

- Side access
- Access from 1 end
- Access from both ends (only for 2100mm)

COMPATIBLE SEATING:

- Classic Galleria DDA Seat (CMG5)
 - Post leg for DDA setting (CMG505)
 - Surface fixed with cast base
 - Surface fixed with base plate
 - Subsurface fixed with base plate
 - Core drilled (300mm below ground)
 - Tee leg for DDA setting (CMG506)
 - Surface fixed
 - Subsurface fixed
- Classic Galleria Bench (CMG4)
 - Post leg for DDA setting (CMG405)
 - Surface fixed with cast base
 - Surface fixed with base plate
 - Subsurface fixed with base plate
 - Core drilled (300mm below ground)
 - Tee leg for DDA setting (CMG406)
 - Surface fixed
 - Subsurface fixed
- Classic Galleria Slim Bench (CMG8)
 - Splay Narrow leg (CMG803)
 - Surface fixed
 - Subsurface fixed
 - Post leg for DDA setting (CMG805)
 - Surface fixed with cast base
 - Surface fixed with base plate
 - Subsurface fixed with base plate
 - Core drilled (300mm below ground)
 - Tee Narrow leg for DDA setting (CMG809)
 - Surface fixed
 - Subsurface fixed

CHESS BOARD:

- None
- Chess Board 405x405(mm) | 15 15/16" x 15 15/16"

Some options incur additional fees and lead time.

Need more information?

For a brochure, image gallery, CAD downloads, installation and maintenance guides, go to:

streetfurniture.com/au/product/classic-galleria-table/

Quick links:

streetfurniture.com/au/colour-chart/

streetfurniture.com/au/warranty/

