

Sculptural, high-tech fountain that supplies water for drinking and refilling containers. Arqua Fountain adheres to DDA and is wheelchair-friendly.



This product is certified under the WaterMark standard WMTS105:2016.

MCODE:
DF4

DIMENSIONS:

770L x 450W x 1125H (mm)
30 1/4" L x 17 3/4" W x 44 1/4" H

Select one box per category to specify your product.

BODY:

- Stainless 304 powder coated ([see colour chart](#))
- Stainless 316 powder coated ([see colour chart](#))
- Stainless 316 electropolished

HEIGHT:

- 1125mm | 44 1/4" (standard)
- 780mm | 30 11/16" (child)
- Tailored

SPOUT AND BUTTON:

- Stainless 316 bright polished

Arqua products have a maximum working pressure of 6 bar (87psi/0.6MPa). Installer must check pressure from the relief valve as required.

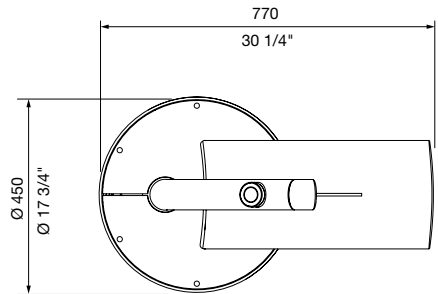
Some options incur additional fees and lead time.

Need more information?

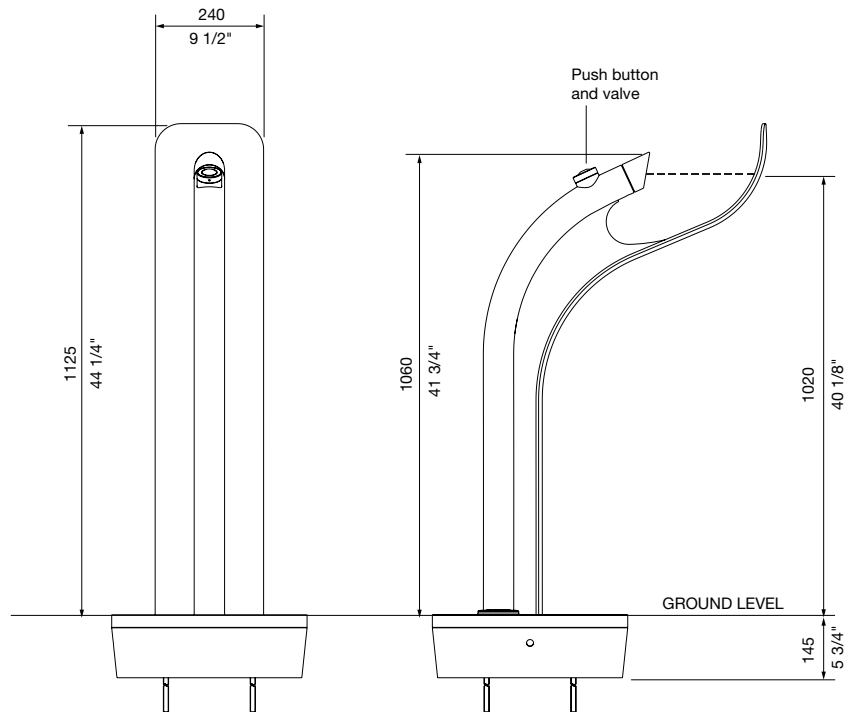
For a brochure, image gallery, CAD downloads, installation and maintenance guides, go to:
streetfurniture.com/au/product/arqua-fountain/

Quick links:

- streetfurniture.com/au/colour-chart/
- streetfurniture.com/au/warranty/
- streetfurniture.com/au/parts-promise/



TOP VIEW



FRONT VIEW

SIDE VIEW



DRINK



REFILL

Arqua products have a maximum working pressure of 6 bar (87psi/0.6MPa). Installer must check pressure from the relief valve as required.