

# linea vt

premium vertical hardwood



street  
furniture  
australia



# introducing linea vt

A premium extension of the Linea collection, Linea VT is a meticulously-crafted all-timber range featuring vertical battens.

# straight



01

**Linea VT Seat LVS10 with arms**  
Palladium Silver frame, freestanding.  
540W x 790H x 1800L | 21 1/4" W x 31 1/8" H x 70 7/8" L



02

**Linea VT Bench LVB6**  
Pioneer Red frame, plinth-fixed.  
445W x 65H x 1800L | 17 1/2" W x 2 1/2" H x 70 7/8" L

# curved



03

**Linea VT Curved Seat LVS10-C with arms**  
Sensation Orange frame, freestanding.  
745W x 790H x 1930CL | 29 3/8" W x 31 1/8" H x 76" L



04

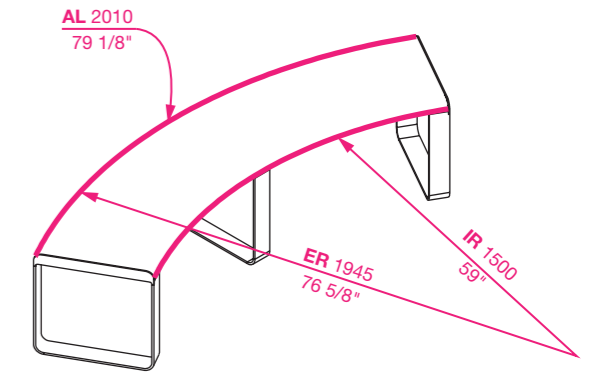
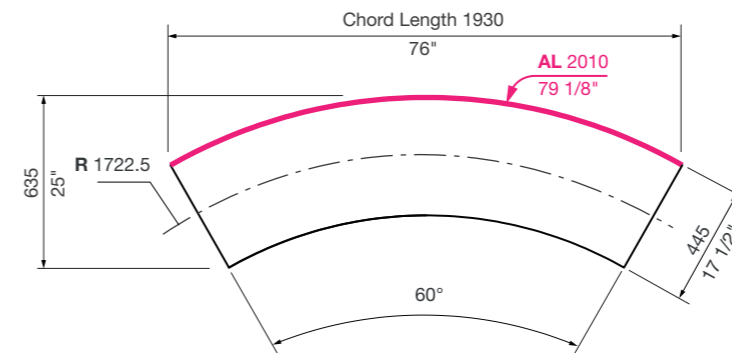
**Linea VT Curved Bench LVB6-C**  
Textura Doe Skin frame, wall-fixed.  
635W x 1930CL x 340H | 25" W x 76" H x 13 3/8" L

## Choose a standard or custom curve.

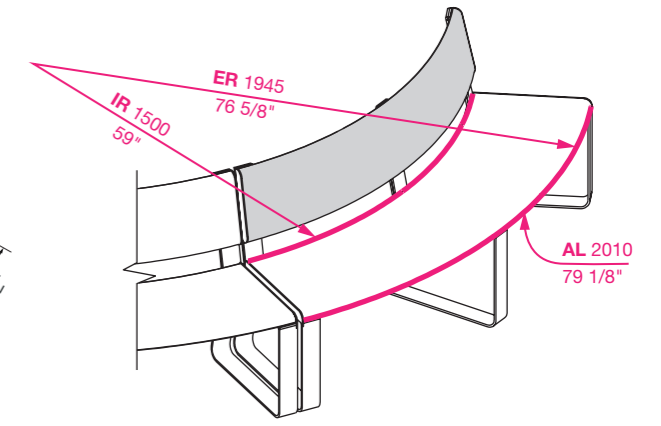
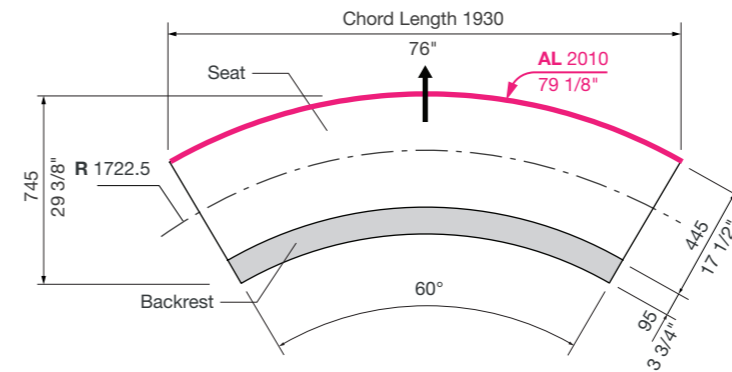
Street Furniture Australia highly recommends using standard curves to save time, cost and for spare parts.

For custom curves, ensure the Internal Radius (IR)  $\geq 1500\text{mm}$  or 59". A set up fee and additional lead time will apply for each custom curve. To specify a custom curve, choose Convex or Concave and provide the Arc Length (AL), Internal and/or External Radius (IR or ER). Consult with a sales representative for more information.

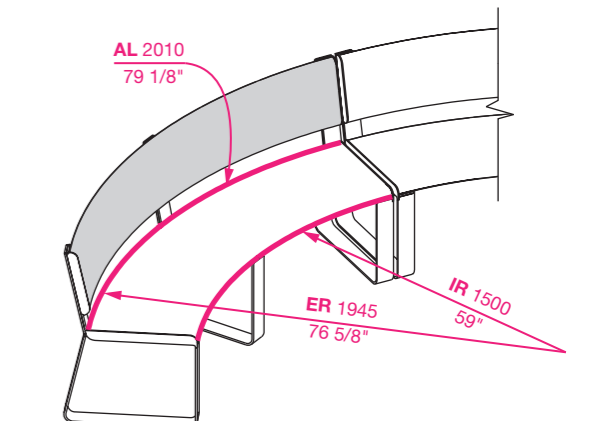
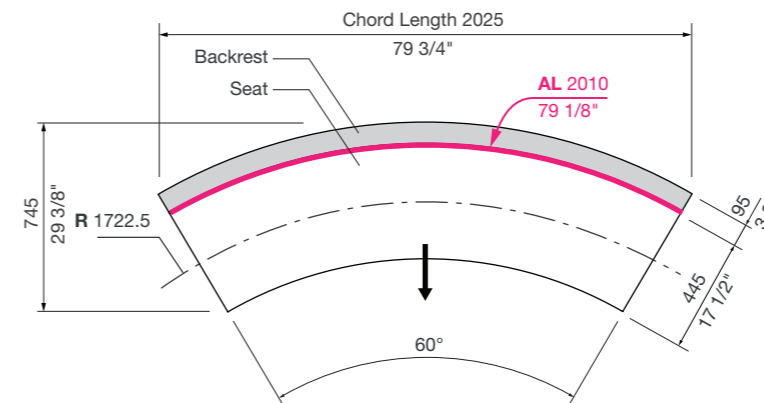
**AL** Arc Length    **IR** Internal Radius    **ER** External Radius



**CURVED BENCH**



**CURVED SEAT (CONVEX)**



**CURVED SEAT (CONCAVE)**

# detail matters

The Linea VT range uses only the most durable materials and considers every detail from safety and comfort to aesthetics and longevity.



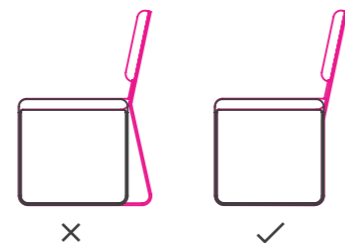
## Eco-certified hardwood

Select-grade hardwood is exclusively sourced from certified managed forests (FSC or PEFC). To retain appearance, hardwood requires oiling every 3 months.



## A deeper wall bench

For safety, wall-fixed benches (without backrest) feature longer battens to reduce the gap between the wall and bench.



## Seamless transition

A Square Leg\* option is available to seamlessly align seats and benches when placed side-by-side.

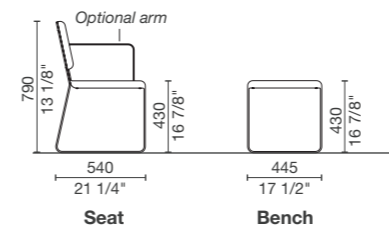
\*Surface and subsurface fixed only.

## How to order

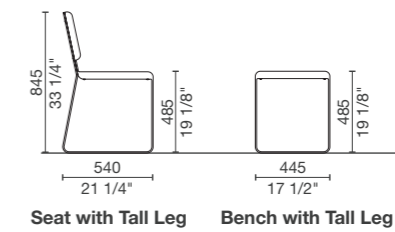
Select one per category to specify your product.

### 1. Select product

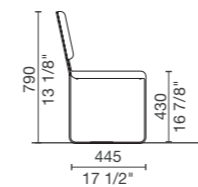
#### Standard



#### Wheelchair access



#### Extra option

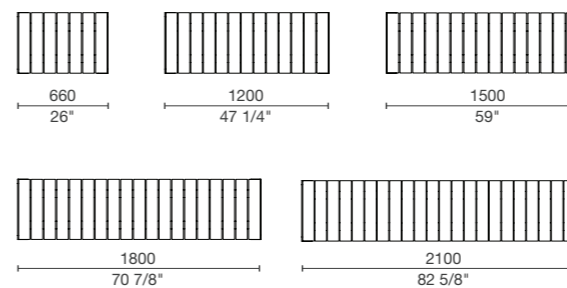


To seamlessly align seats and benches when placed side-by-side.

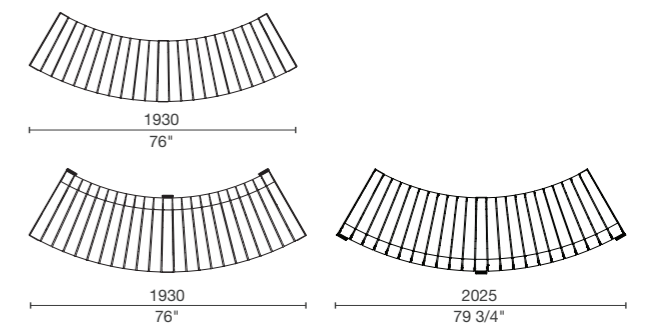
Seat with Square Leg  
(Surface and subsurface fixed only)

### 2. Select length

#### Straight

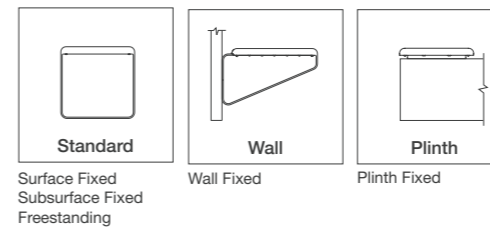


#### Curved



### 3. Select mounting

Legs may require basic assembly on-site.



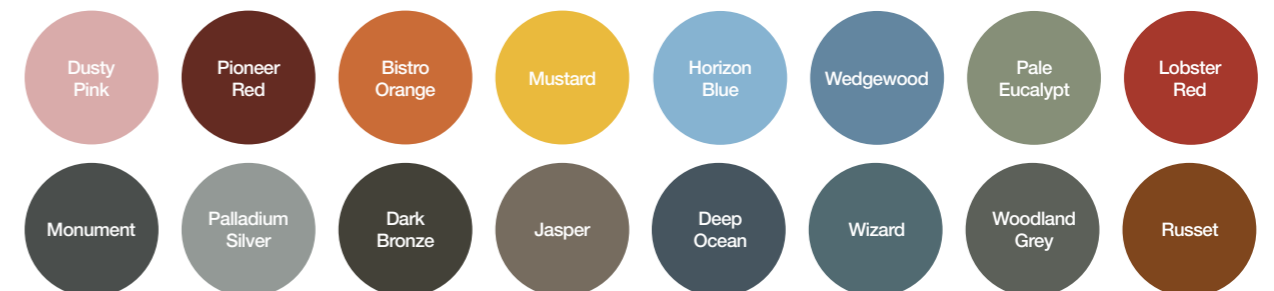
### 4. Select seat arms

When specified with arms, the Linea VT Seat meets ADA and DDA requirements and is fully compliant with AS1428.2.

- None
- 2 end arms, in same finish as frame
- Tailored

### 5. Select frame colour

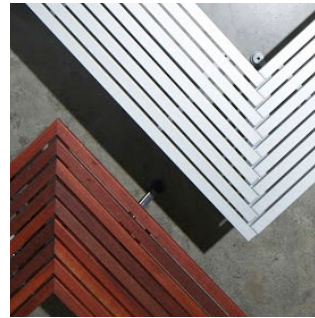
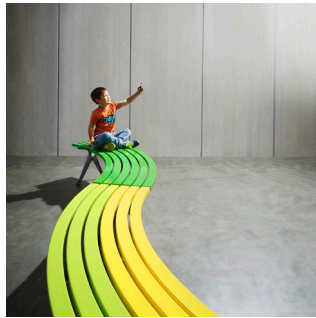
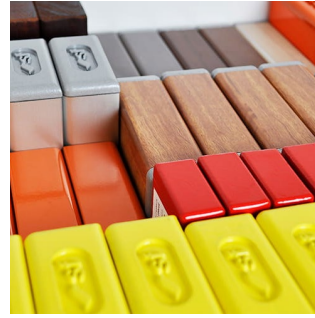
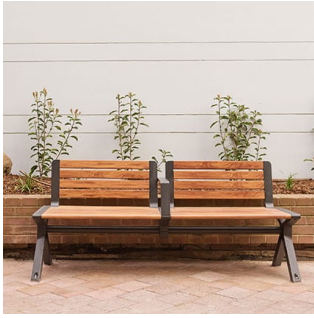
For the full colour chart, go to [streetfurniture.com/colour-chart](https://streetfurniture.com/colour-chart)



Colours shown are indicative only, variations may occur in printing.

For further tailoring, contact us to speak with a sales consultant.

Australia 1800 027 799  
International +61 2 8774 8888  
Email [info@streetfurniture.com](mailto:info@streetfurniture.com)



# JOIN streetchat

Get news, trends and tips  
on furnishing the public realm at  
[streetfurniture.com/streetchat](http://streetfurniture.com/streetchat)

Australia 1800 027 799  
International +61 2 8774 8888

Email [info@streetfurniture.com](mailto:info@streetfurniture.com)  
N6 391 Park Road, Regents Park  
NSW 2143, Australia



[streetfurniture.com](http://streetfurniture.com)

 Australian Institute of  
Landscape Architects  
Supporting Corporate Partner

 American Society of  
Landscape Architects  
Corporate Member No.1173455