

# linea vt bench



Our most premium range features vertical quarter-bullnose timber battens supported by incredibly strong stainless steel frames. Available in many lengths, colours and mounting types.

**DIMENSIONS:**

445W x 430H x various lengths (mm)  
17 1/2" W x 17" H x various lengths

Select one box per category to specify your product.

**LEGS AND MOUNTING:**

- Standard Leg
  - Surface fixed
  - Subsurface fixed
  - Freestanding
- Tall Leg
  - Surface fixed
  - Subsurface fixed
  - Freestanding
- Wall
  - Fixed to side of wall
- Plinth
  - Fixed to top of wall

**FRAME:**

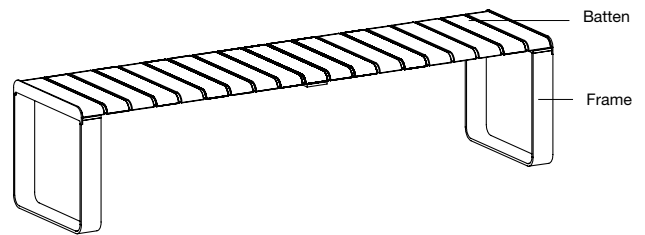
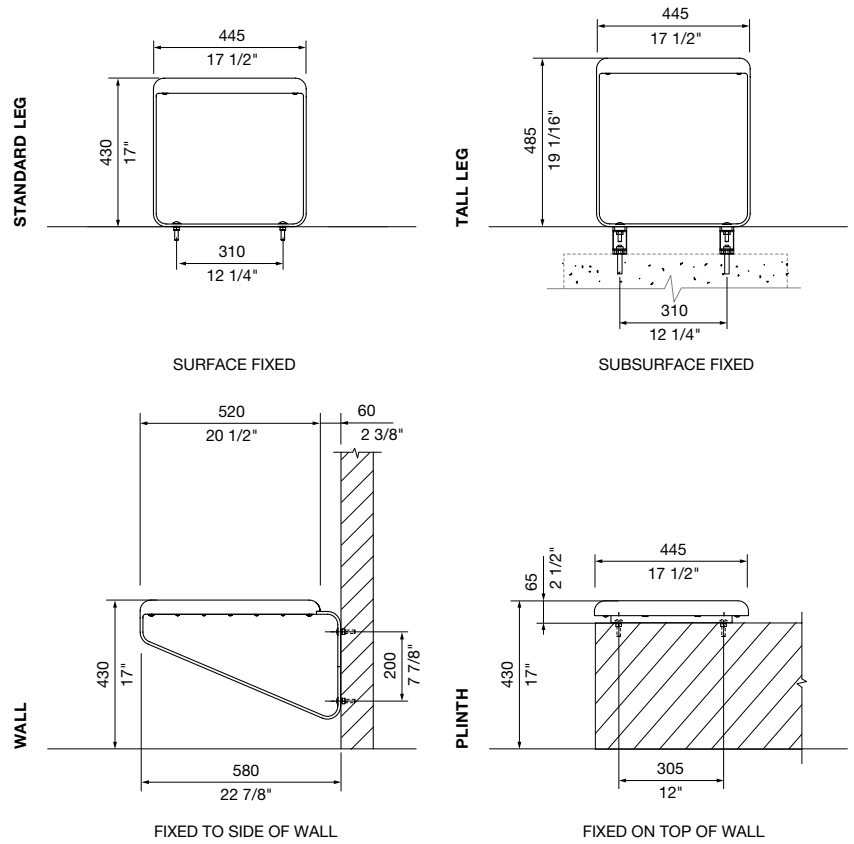
[See colour chart](#)

- Stainless 304 powder coated

**BATTEN:**

Street Furniture Australia uses sustainable timber from certified managed forests (PEFC or FSC). Timber requires oiling every three months.

Australian Spotted Gum, hardwood oiled



**LINEA BENCH**  
3-seater 1800mm

# linea vt bench



**LENGTH:**

- 1-seater 660mm | 26"
- 2-seater 1200mm | 47 1/4"
- 2.5-seater 1500mm | 59"
- 3-seater 1800mm | 70 7/8"
- 3.5-seater 2100mm | 82 5/8"
- Tailored

Some options incur additional fees and lead time.

**Need more information?**

For a brochure, image gallery, CAD downloads, installation and maintenance guides, go to: [streetfurniture.com/product/linea-vt-bench/](https://streetfurniture.com/product/linea-vt-bench/)

**Quick links:**

[streetfurniture.com/au/colour-chart/](https://streetfurniture.com/au/colour-chart/)  
[streetfurniture.com/au/warranty/](https://streetfurniture.com/au/warranty/)

