

Stylish bicycle parking, beautiful and functional, with ergonomic proportions and robust stainless steel frame. Adheres to AS2890.3 Class 3.

MCODE:
BST07

DIMENSIONS:
600L x 75W x 760H (mm)
23 5/8" L x 3" W x 29 7/8" H

WEIGHT:
Approximate only and depends on materials selected.
16kg | 35 lbs

Select one box per category to specify your product.

- FRAME:
- Stainless 304 powder coated (*see colour chart*)
 - Stainless 304 metallic brushed*
 - Stainless 316 metallic brushed*
- *Coming soon. Currently available with a longer lead time.

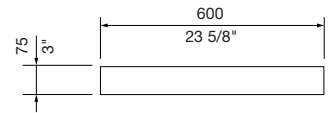
- MOUNTING:
- Surface fixed
 - Subsurface fixed
 - Core drilled (300mm below ground)

- BATTEN INSERT:
- Street Furniture Australia uses sustainable timber from certified managed forests. Timber requires oiling every three months. For a timber look with low maintenance, choose aluminium woodgrain.*
- None
 - Aluminium anodised
 - Aluminium powder coated (*see colour chart*)
 - Aluminium woodgrain (*see colour chart*)
 - Eco-certified hardwood oiled

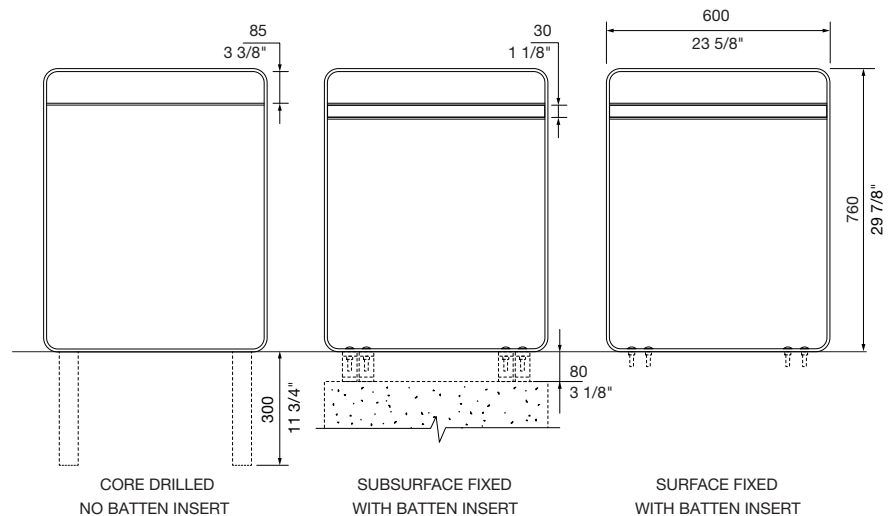
Some options incur additional fees and lead time.

Need more information?
For a brochure, image gallery, CAD downloads, installation and maintenance guides, go to:
streetfurniture.com/au/product/linea-bicycle-stand/

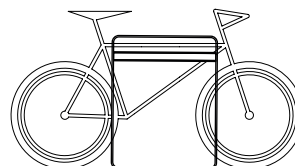
Quick links:
streetfurniture.com/au/colour-chart/
streetfurniture.com/au/warranty/
streetfurniture.com/au/parts-promise/



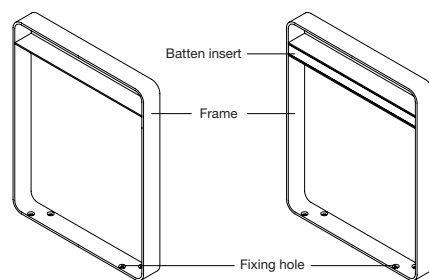
TOP VIEW



MOUNTING OPTIONS



FRONT VIEW WITH BICYCLE



NO BATTEN INSERT

WITH BATTEN INSERT

ISOMETRIC VIEW



OPTIONAL LASER ETCHING