

linea bollard



Available as a single or two-tone bollard. Constructed with a tough stainless steel frame and square insert. Select from fixed and removable options.

DIMENSIONS:

100W x 120L x 910H (mm)
4" W x 4 3/4" L x 27 1/8" H

Select one box per category to specify your product.

FRAME:

[See Colour Chart](#)

Stainless 304 powder coated

SQUARE INSERT:

[See Colour Chart](#)

- Stainless 304 powder coated
- Aluminium woodgrain

EYENUT:

- None
- Qty 1
- Qty 2 (180° apart)
- Tailored

REFLECTIVE STRIP:

Not compatible with a Textura powder coated frame.

- None (standard)
- Red
- Yellow
- White
- Tailored

MOUNTING:

- Surface fixed
- Subsurface fixed
- Core drilled (300mm below ground)
- Removable surface fixed
- Removable in-ground

OPTIONAL EXTRAS:

Additional cost applies.

- Laser Etched Square Insert 70x450mm

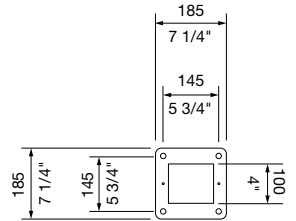
Some options incur additional fees and lead time.

Need more information?

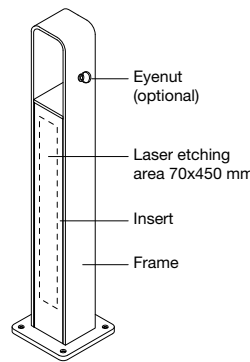
For a brochure, image gallery, CAD downloads, installation and maintenance guides, go to: streetfurniture.com/au/product/linea-bollard/

Quick links:

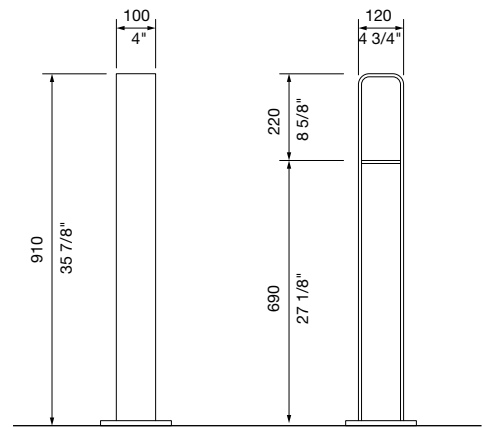
streetfurniture.com/au/colour-chart/
streetfurniture.com/au/warranty/



PLAN

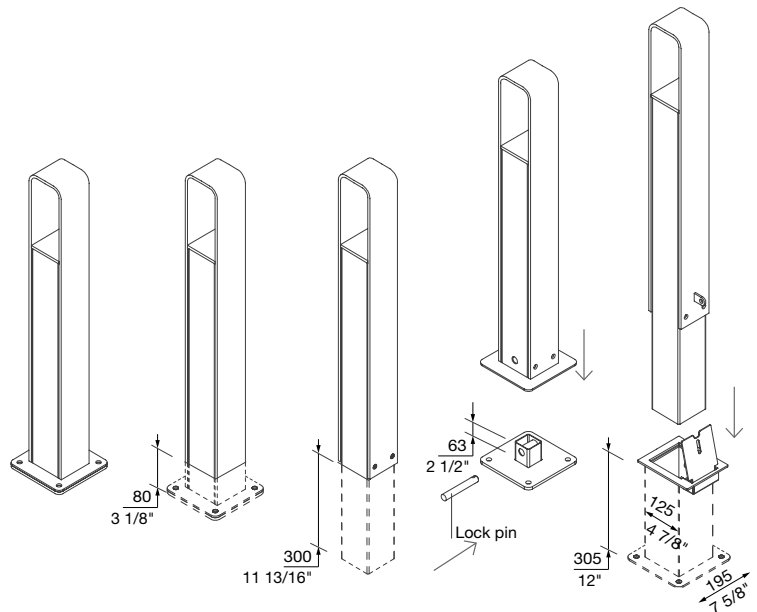


ISOMETRIC VIEW
SURFACE FIXED



SIDE VIEW
SURFACE FIXED

FRONT VIEW
SURFACE FIXED



SURFACE
FIXED

SUBSURFACE
FIXED

CORE DRILLED

REMOVABLE
SURFACE FIXED

REMOVABLE
IN-GROUND

MOUNTING OPTIONS