



flower

installation guide

This guide relates to:

No.	Product	MCODE
1.	Flower Chair	FC1

Welcome and congratulations on your purchase from **Street Furniture Australia.**

This guide refers to seating products of Flower range.
Before beginning installation please read this guide thoroughly.

Important to note:

- Handle bin(s) and parts carefully to prevent scratching, warping, bending or twisting. Do not slide parts on concrete or other hard or abrasive surfaces.
- Please check that you have received all components for your selected product and base design. Report missing or damaged parts to a Street Furniture Australia sales representative.
- There are several steps on this installation guide, that may or may not be applicable to your order.

© **Street Furniture Australia Pty Limited** ABN 46 070 910 100

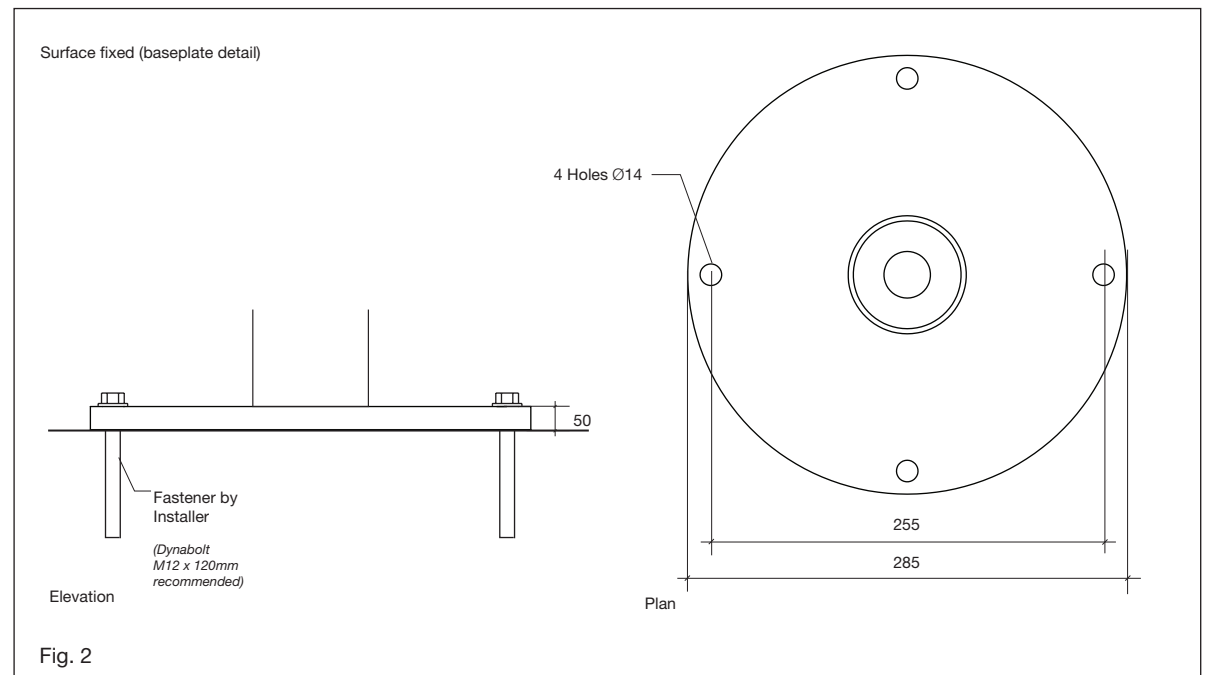
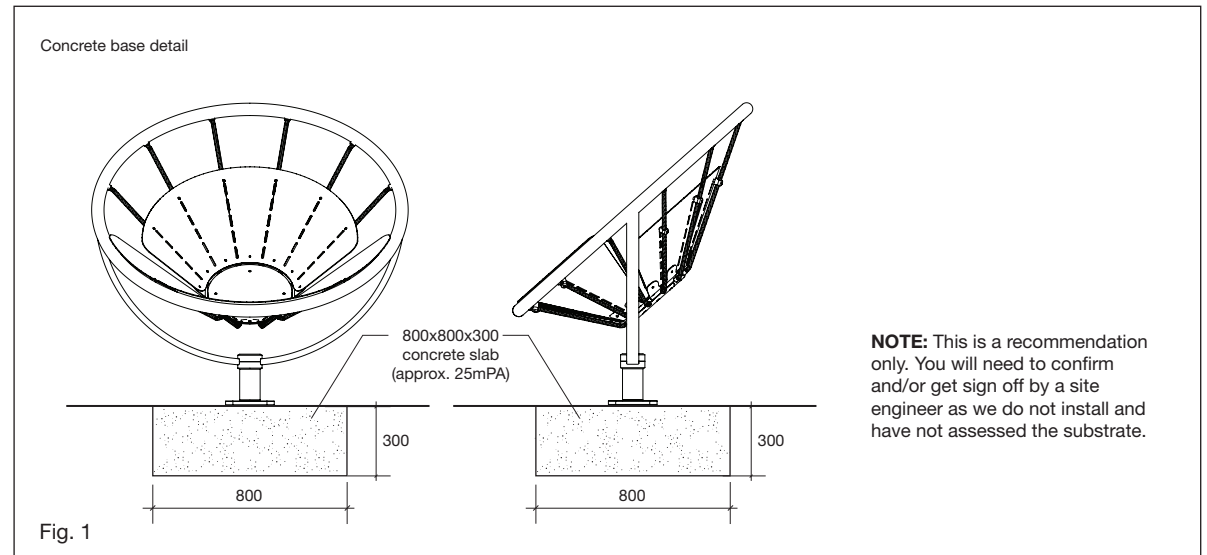
*Street Furniture Australia is ISO-certified by QAS International in Quality, Environment, Health and Safety.
All products are made-to-order, quality-controlled and dispatched from the inhouse factory floor.*

Australia 1800 027 799 **International** +61 2 A8774 8888 **Email** info@streetfurniture.com

Version 1 @ 21.10.2020 MDP-16

streetfurniture.com

1



installation instructions

A. HOW TO INSTALL THE PRODUCT ON SITE

Select the correct leg and mounting option for installation method.

Note: installation hardware is not included.

Fig. 1: Concrete base dimension for surface fixed

Fig. 2: Baseplate detail for surface fixed

© Street Furniture Australia Pty Limited ABN 46 070 910 100

Street Furniture Australia is ISO-certified by QAS International in Quality, Environment, Health and Safety. All products are made-to-order, quality-controlled and dispatched from the inhouse factory floor.

Australia 1800 027 799 International +61 2 A8774 8888 Email info@streetfurniture.com

Version 1 @ 21.10.2020 MDP-16

streetfurniture.com

2