



escola bin enclosure

installation guide

This guide relates to:

No.	Product	MCODE
1.	Escola Bin Enclosure 120L	WBE-E120
2.	Escola Bin Enclosure 240L	WBE-E240
3.	Escola eBin 120L	EBIN-E120
4.	Escola eBin 240L	EBIN-E240

Welcome and thank you for your purchase from **Street Furniture Australia.**

This guide refers to the Escola Bin Enclosure range: 120L, 240L and eBin. Before beginning installation please read this guide thoroughly.

Important to note:

- Moving the bin may require at least two people, to avoid damage.
- Handle bins and parts carefully to prevent scratching, warping, bending or twisting. Do not slide parts on concrete or other hard or abrasive surfaces.
- Please check that you have received all components for your selected product. Report missing or damaged parts to a Street Furniture Australia sales representative.
- There are several steps in this installation guide, that may or may not be applicable to your order.

© **Street Furniture Australia Pty Limited** ABN 46 070 910 100

*Street Furniture Australia is ISO-certified by QAS International in Quality, Environment, Health and Safety.
All products are made-to-order, quality-controlled and dispatched from the inhouse factory floor.*

Australia 1800 027 799 **International** +61 2 A8774 8888 **Email** info@streetfurniture.com

Version 1 @ 21.10.2020 MDP-19

streetfurniture.com

1

installation instructions:
size 120L

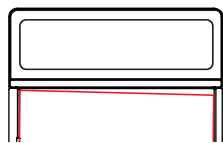
A. HOW TO INSTALL ESCOLA BIN 120L ON SITE

The bin can be installed as surface fixed (**Fig. 1**) or freestanding (**Fig. 2**).

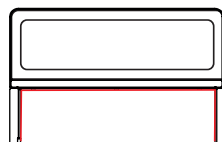
Note: installation hardware is not included.

Important Note

Doors **may appear tilted** until fixed into place.



tilted door
uninstalled or on uneven surface



squared door
installed on leveled surface

If required, when installing use packing shims or washers (not included) to correct a tilted door.

ESCOLA BIN 120L Surface Fixed

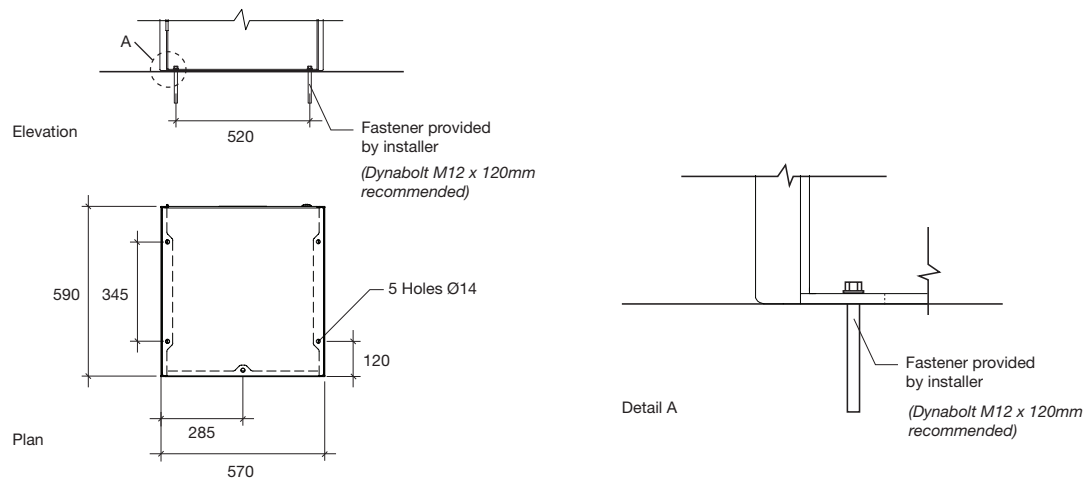


Fig. 1

ESCOLA BIN 120L Freestanding

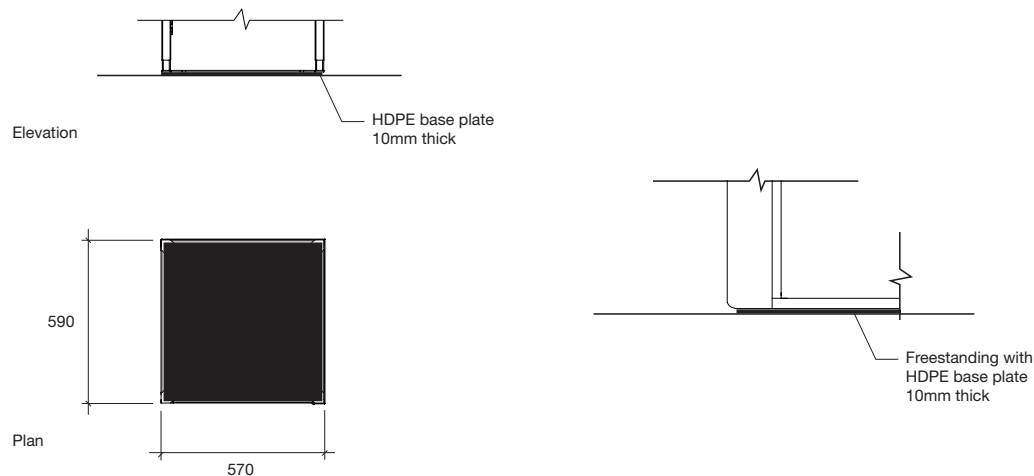


Fig. 2

installation instructions:
size 240L

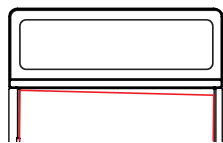
A. HOW TO INSTALL ESCOLA BIN 240L ON SITE

The bin can be installed as surface fixed (**Fig. 1**) or freestanding (**Fig. 2**).

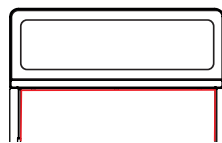
Note: installation hardware is not included.

Important Note

Doors **may appear tilted** until fixed into place.



tilted door
uninstalled or on uneven surface



squared door
installed on leveled surface

If required, when installing use packing shims or washers (not included) to correct a tilted door.

ESCOLA BIN 240L Surface Fixed

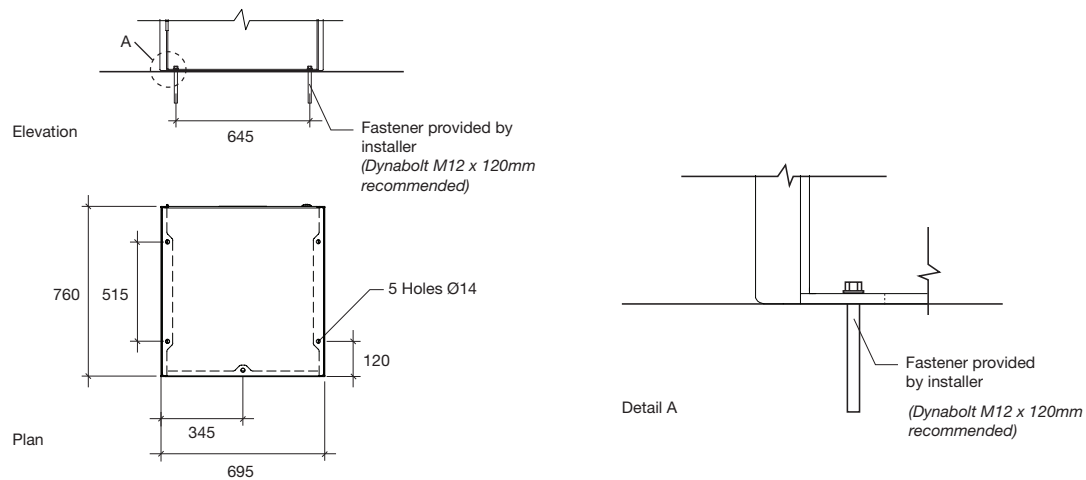


Fig. 1

ESCOLA BIN 240L Freestanding

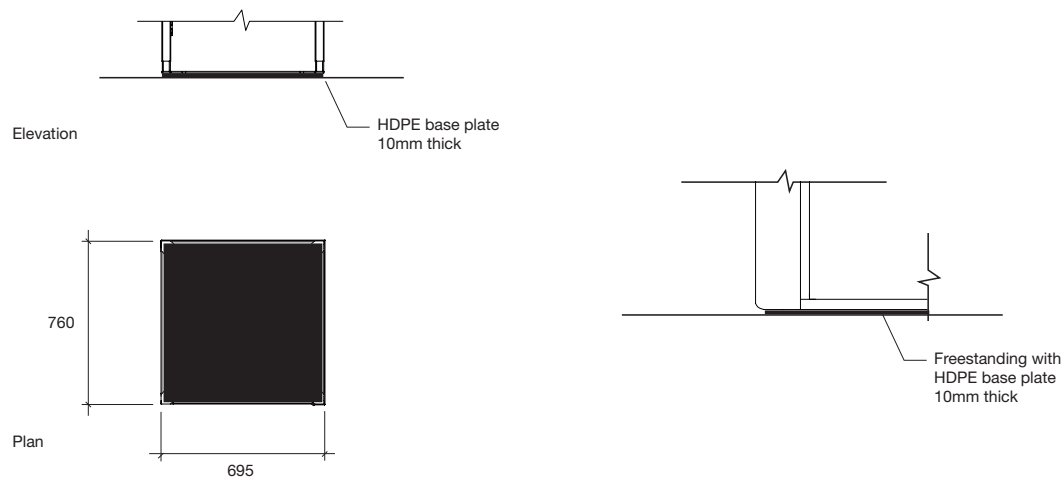


Fig. 2

activation instructions: escola ebin

A. HOW TO ACTIVATE EBIN SENSOR ON SITE

Follow the steps to ensure the sensors are correctly activated.

1. Make sure you have the magnetic key required. **Fig. 1**
2. The sensor is mounted on the underside of the roof. **Fig. 2**
3. Swipe the magnetic key across the sensor to activate. Single 'beep' indicates activation.
4. Once the eBin is fixed in its final position, email Smartsensor the coordinates by dropping a Pin in Google Maps. This will allow them to set the bin on the dashboard. Include a picture of the paperwork attached to the sensor. **Fig. 3**
5. Download Smartsensor app or access the dashboard on your web browser at <https://dashboard.smartsensor.com.au> **Fig. 4**
6. Sign in with your account details provided by Smartsensor.
7. Start tracking and customise your dashboard.
8. Please contact Smartsensor directly with any questions about the dashboard.

