

linea table

street furniture™ technical sheets

<u>product name</u>	<u>mcode</u>	<u>page</u>
Linea Table	LIT10	2
Linea DDA Table	LIT10-DDA	4

linea table



The Linea Table is a sleek and minimalist design featuring 100% stainless steel frames to support many different battens, colours, lengths and mounting types.

For picnic settings, match with shorter seats or benches for ease of access.

DIMENSIONS:

750W x 720H x various lengths (mm)
29 1/2" W x 28 3/8" H x various lengths

Select one box per category to specify your product.

TABLE TOP:

[See colour chart](#)

Street Furniture Australia uses sustainable timber from certified managed forests (PEFC or FSC). Timber requires oiling every three months. For a timber look with low maintenance, choose aluminium woodgrain.

- Battered
 - Aluminium anodised
 - Aluminium woodgrain
 - Aluminium powder coated
 - Eco-certified hardwood oiled
- Solid, aluminium powder coated

LENGTH:

- 1000mm | 39 3/8"
- 1600mm | 63"
- 1900mm | 74 3/4" (popular)
- 2200mm | 86 5/8"
- 2500mm* | 98 3/8"
- Tailored

*Excludes solid table top.

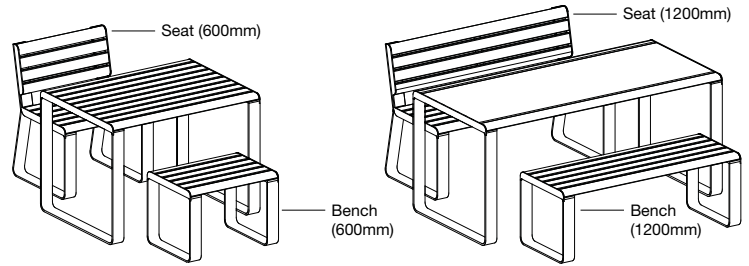
FRAME:

[See colour chart](#)

- Stainless 304 powder coated

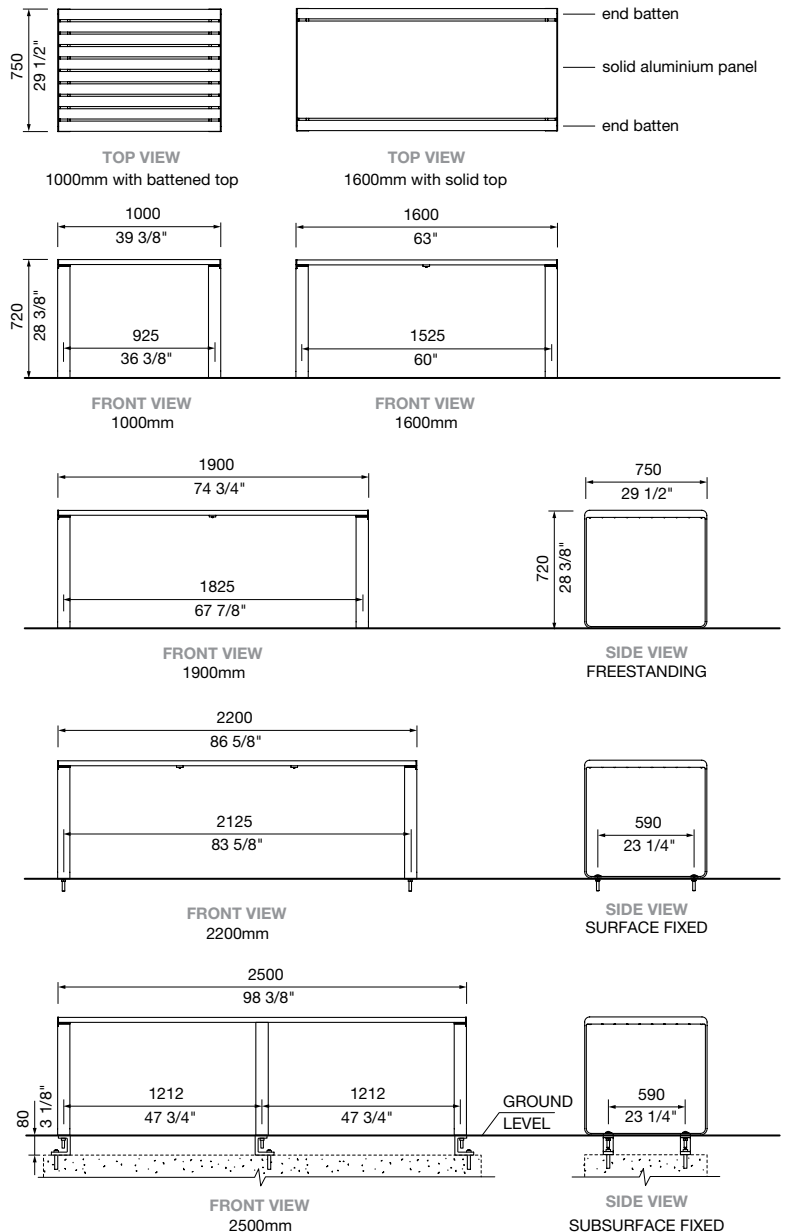
MOUNTING:

- Surface fixed
- Subsurface fixed
- Freestanding



LINEA TABLE (1000mm) with battered top

LINEA TABLE (1600mm) with solid top



linea table



COMPATIBLE SEATING:

Pair with a shorter seat or bench for ease of access.
Refer to separate technical sheet.

- Linea Seat with Standard Leg (LIS10)
- Linea Bench with Standard Leg (LIB6)
- Linea Cube (LIC6)

CHESS BOARD:

- None
- Chess Board 405x405(mm) | 15 15/16" x 15 15/16"

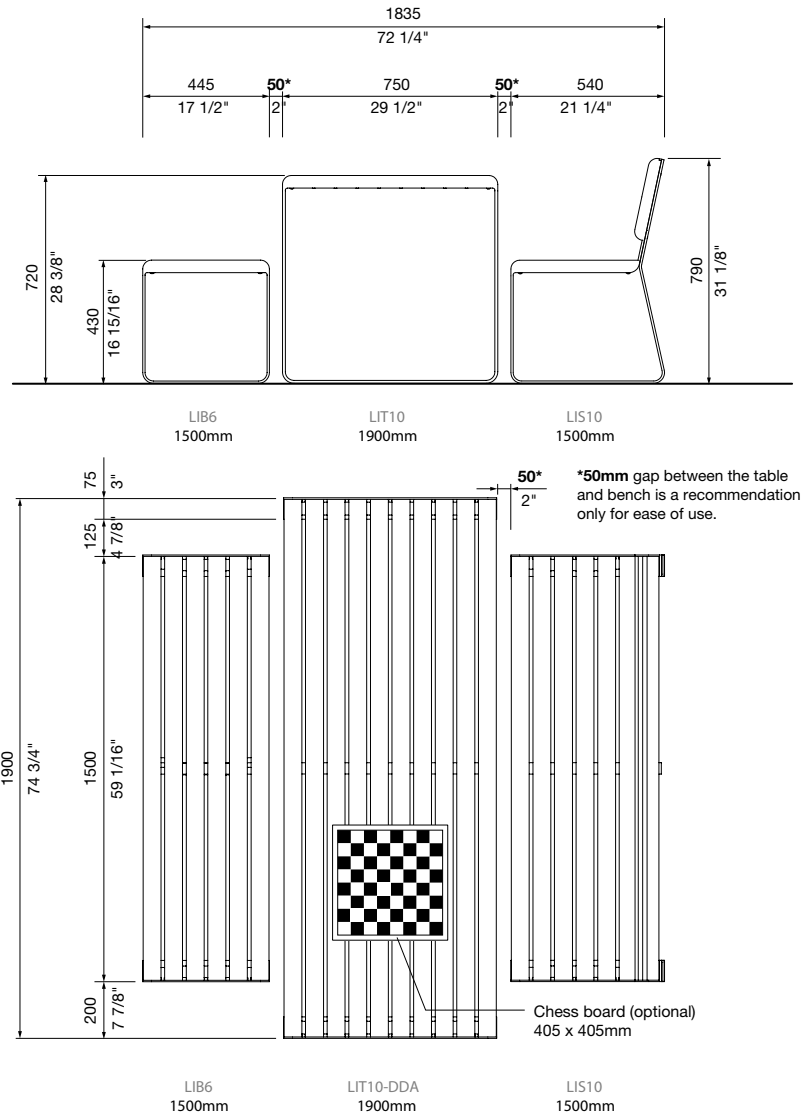
Some options incur additional fees and lead time.

Need more information?

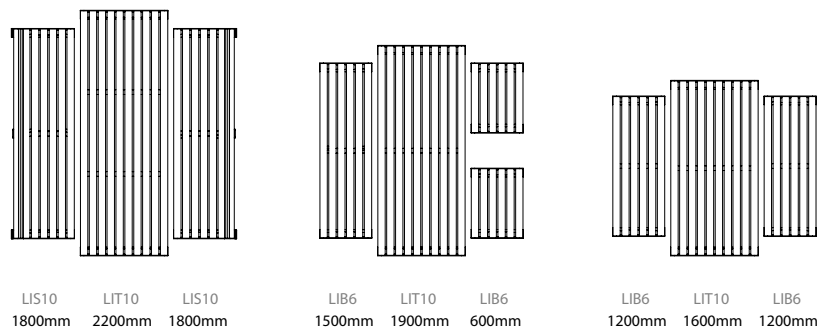
For a brochure, image gallery, CAD downloads, installation and maintenance guides, go to:
streetfurniture.com/au/product/linea-table/

Quick links:

- streetfurniture.com/au/colour-chart/
- streetfurniture.com/au/warranty/



CONFIGURATION EXAMPLES:
Pair a shorter seat or bench for ease of access.



linea dda table

This is a carbon neutral product.



The Linea DDA Table complies with ADA, DDA and AS1428.2 for wheelchair access. Access is possible through the end or side of table.

Please note this is a taller table. For picnic settings, we recommend specifying seats or benches with the Tall Leg.

DIMENSIONS:

750W x 840H x various lengths (mm)
29 1/2" W x 32 5/8" H x various lengths

Select one box per category to specify your product.

WHEELCHAIR ACCESS:

DDA tables must be fixed to the ground for stability.

- 1 End Access (1900, 2200, 2500mm only)*
- Side access (all lengths)

*Excludes solid table top.

TABLE TOP:

See colour chart.

Street Furniture Australia uses sustainable timber from certified managed forests (PEFC or FSC). Timber requires oiling every three months. For a timber look with low maintenance, choose aluminium woodgrain.

- Batten
 - Aluminium anodised
 - Aluminium woodgrain
 - Aluminium powder coated
 - Eco-certified hardwood oiled
- Solid, aluminium powder coated

LENGTH:

- 1000mm | 39 3/8"
- 1600mm | 63"
- 1900mm | 74 3/4" (popular)
- 2200mm | 86 5/8"
- 2500mm* | 98 3/8"*
- Tailored

*Excludes solid table top.

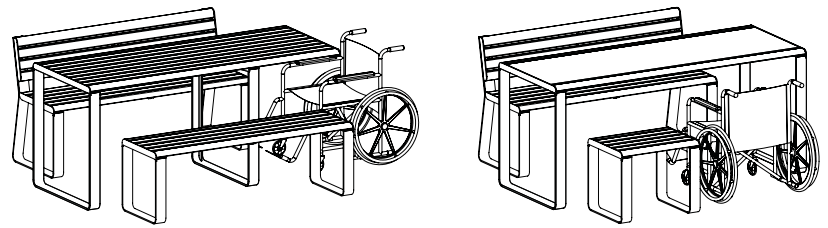
MOUNTING:

- Surface fixed
- Subsurface fixed

FRAME:

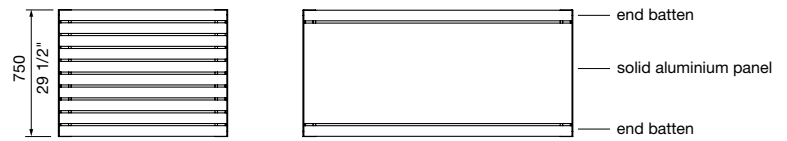
See colour chart.

- Stainless 304 powder coated



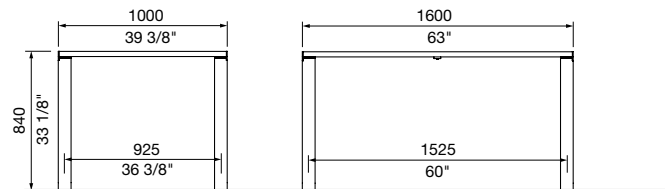
1 END ACCESS with battened top

SIDE ACCESS with solid top



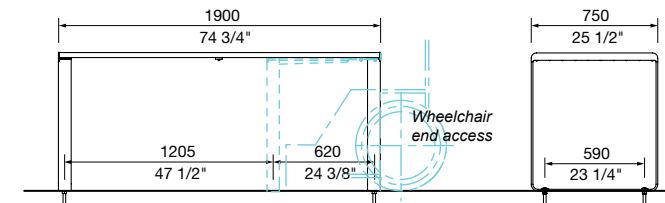
TOP VIEW
1000mm with battened top

TOP VIEW
1600mm with solid top



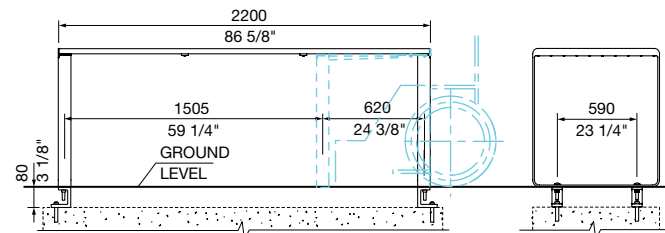
FRONT VIEW
1000mm

FRONT VIEW
1600mm



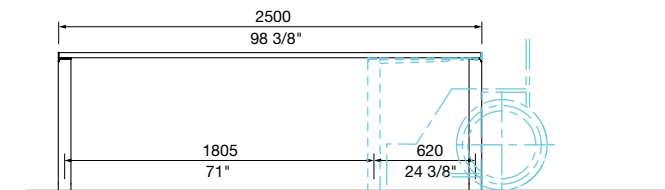
FRONT VIEW
1900mm

SIDE VIEW
SURFACE FIXED



FRONT VIEW
2200mm

SIDE VIEW
SUBSURFACE FIXED



FRONT VIEW
2500mm

linea dda table

This is a carbon neutral product.



COMPATIBLE SEATING:

Pair with shorter seat or bench for side access.
Refer to separate technical sheet.

- Linea Seat with Tall Leg (LIS10)
- Linea Bench with Tall Leg (LIB6)

CHESS BOARD:

- None
- Chess Board 405x405(mm) | 15 15/16" x 15 15/16"

Some options incur additional fees and lead time.

Need more information?

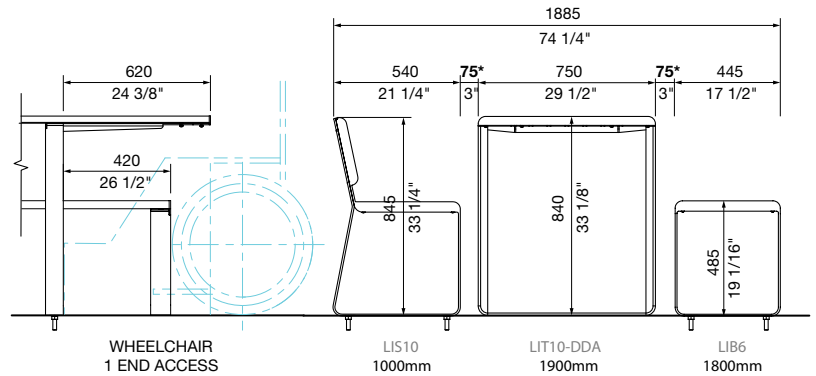
For a brochure, image gallery, CAD downloads, installation and maintenance guides, go to:

streetfurniture.com/au/product/linea-table/

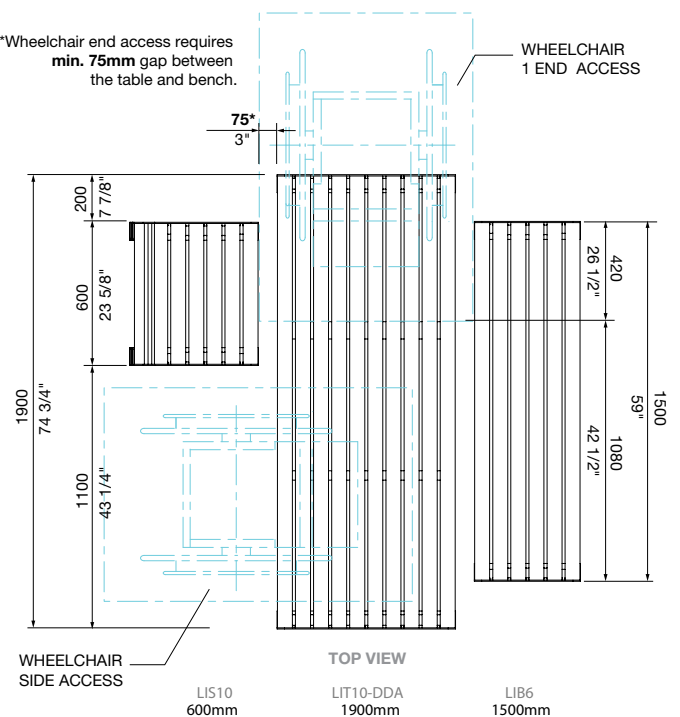
Quick links:

streetfurniture.com/au/colour-chart/

streetfurniture.com/au/warranty/



*Wheelchair end access requires min. 75mm gap between the table and bench.



CONFIGURATION EXAMPLES:

