

linea bench



The Linea range is sleek and minimalist. 100% stainless steel frames support many different colours, lengths and mounting types, including plinth and wall-fixed options.

DIMENSIONS:
 445W x 430H x various lengths (mm)
 17 1/2" W x 17" H x various lengths

Select one box per category to specify your product.

LEGS AND MOUNTING:

- Standard leg
 - Surface fixed
 - Subsurface fixed
 - Freestanding
- Tall leg
 - Surface fixed
 - Subsurface fixed
 - Freestanding
- Wall
 - Fixed to side of wall
 - Plinth
 - Fixed to top of wall

FRAME:

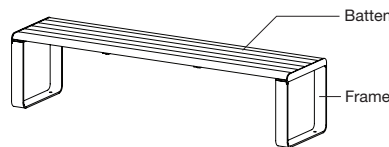
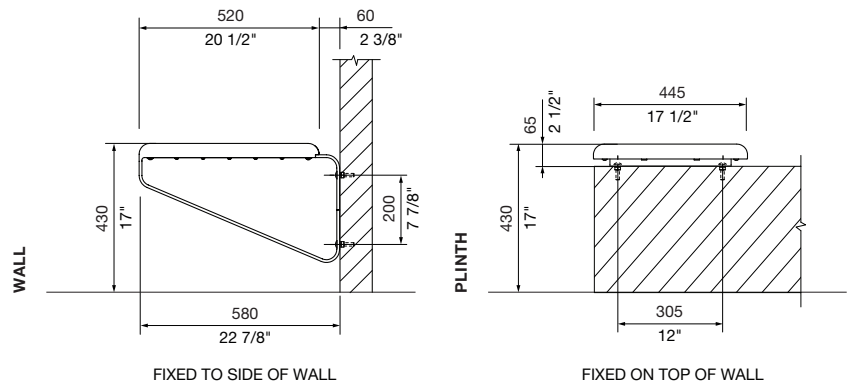
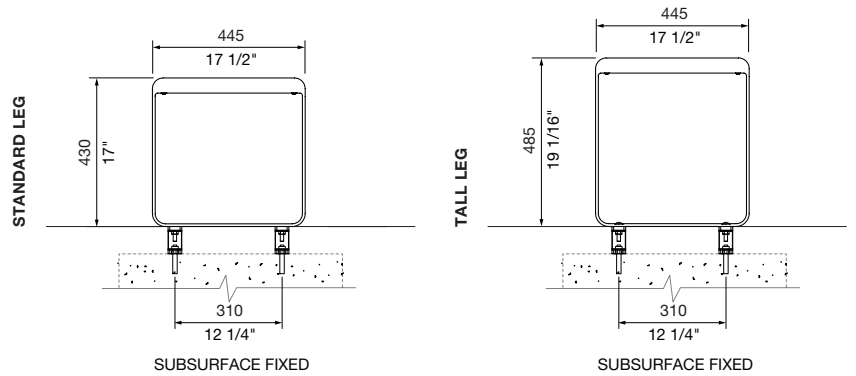
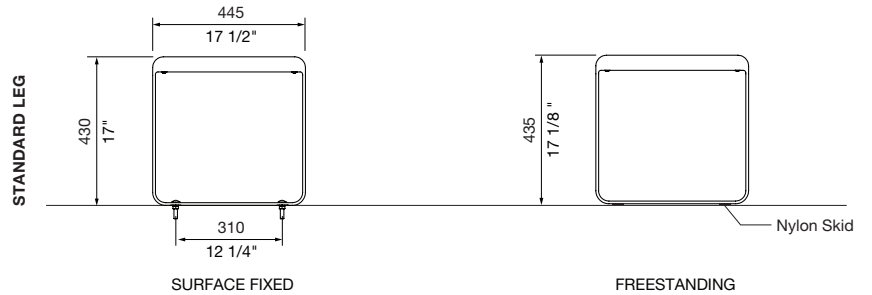
[See colour chart](#)

- Stainless 304 powder coated

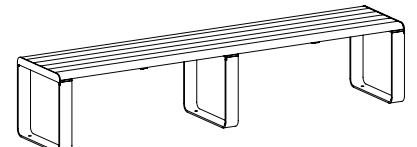
BATTEN:

- Aluminium Woodgrain [See Colour Chart](#)
- Aluminium Powder Coated [See Colour Chart](#)
- Aluminium Anodised
- Eco-certified Hardwood Oiled*

*Sourced from certified managed forests (PEFC or FSC). Hardwood needs re-oiling every 3 months. For a wood look with low maintenance, choose Aluminium Woodgrain (also known as Wood Without Worry).



LINEA BENCH
3-seater 1800mm



LINEA BENCH
3.5-seater 2100mm

linea bench

This is a carbon neutral product.



LENGTH:

- 1-seater 600mm | 23 5/8"
- 2-seater 1200mm | 47 1/4"
- 2.5-seater 1500mm | 59 1/16"
- 3-seater 1800mm | 70 7/8"
- 3.5-seater 2100mm | 82 11/16"
- Tailored

Some options incur additional fees and lead time.

Need more information?

For a brochure, image gallery, CAD downloads, installation and maintenance guides, go to: streetfurniture.com/au/product/linea-bench/

Quick links:

streetfurniture.com/au/colour-chart/
streetfurniture.com/au/warranty/

