

aria lookout table



Create places to eat, work and dine with a view with the Aria Lookout Table.

DIMENSIONS:

480W x 765H x various lengths (mm)
 18 7/8" W x 30 1/8" H x various lengths

Select one box per category to specify your product.

LEGS AND MOUNTING:

Legs may require basic assembly on-site. Legs are fixed heights.

- 14 Aria Pedestal
 - Surface fixed
 - Subsurface fixed

FRAME AND PANEL COLOUR:

Textura is highly recommended.

[See colour chart](#)

- Cast aluminium powder coated

BATTEN:

Timber is exclusively sourced from FSC or PEFC certified managed forests only. Timber requires oiling every three months. For a timber look with low maintenance, choose aluminium Wood Without Worry.

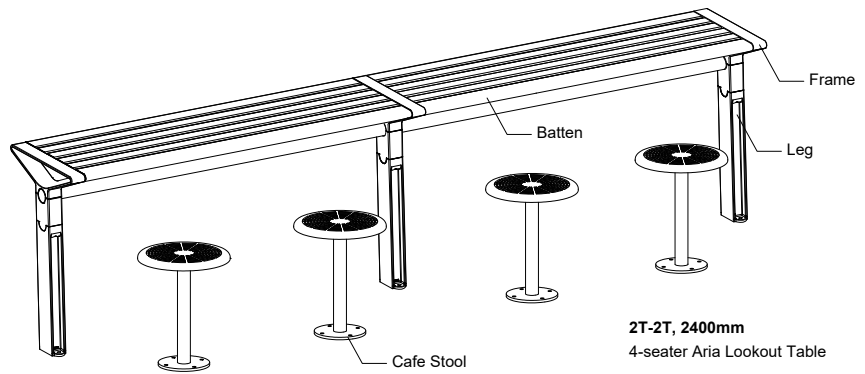
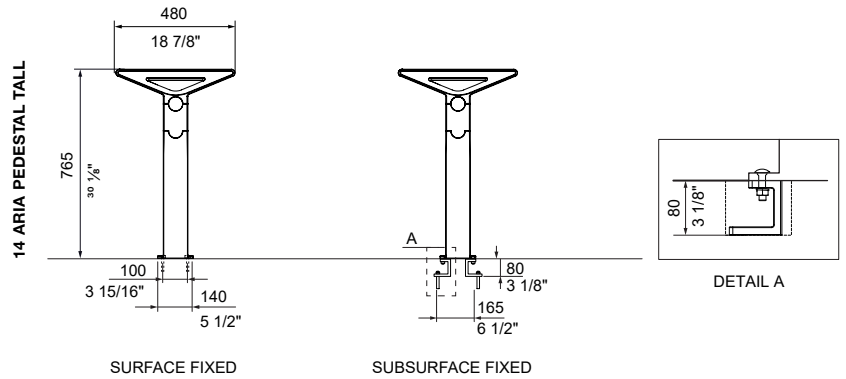
[See colour chart](#)

- Eco-certified hardwood oiled
- Aluminium anodised
- Aluminium powder coated
- Aluminium woodgrain
- Tailored

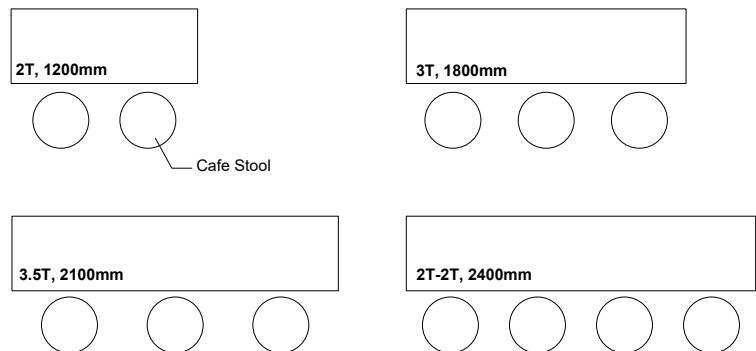
COMPATIBLE SEATING:

Refer to separate technical sheet.

- [Cafe Stool \(S1\)](#)



CONFIGURATION EXAMPLES:
 Pairing the Aria Lookout Table with the cafe stool.



aria lookout table



LENGTH:

- 2T, 1200mm | 47 1/4"
- 3T, 1800mm | 70 7/8"
- 3.5T, 2100mm | 82 11/16"
- 2T-2T, 2400mm | 94 1/2"
- Tailored

Some options incur additional fees and lead time.

Need more information?

For a brochure, image gallery, CAD downloads, installation and maintenance guides, go to: streetfurniture.com/au/product/aria-lookout-table/

Quick links:

- streetfurniture.com/au/colour-chart/
- streetfurniture.com/au/warranty/

