

**PowerMe™ Indoor Table offers charging and optional public WiFi 4G. Suitable for indoor and outdoor sheltered area.**

**Available as a standalone unit or integrate with a range of seats including Classic Galleria, Mall, Concourse, Termini and Aria.**

**PowerMe has an IP rating of 44.**

MCODE:  
PM1.0

DIMENSIONS:  
300W x 510L x 770H (mm)  
11 13/16" W x 20 1/16" L x 30 5/16" H

Select one box per category to specify your product.

**CHARGING OPTIONS:**

- Qty 2 GPO, qty 2 USB and qty 2 wireless charging
- Qty 4 USB and qty 2 wireless charging
- Tailored

**WIFI 4G:**

*Additional cost applies.*

- No
- Yes

**WATT WATCHER:**

*Power monitoring. Additional cost applies.*

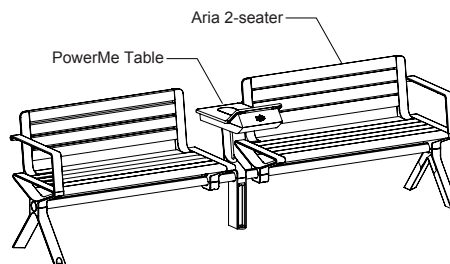
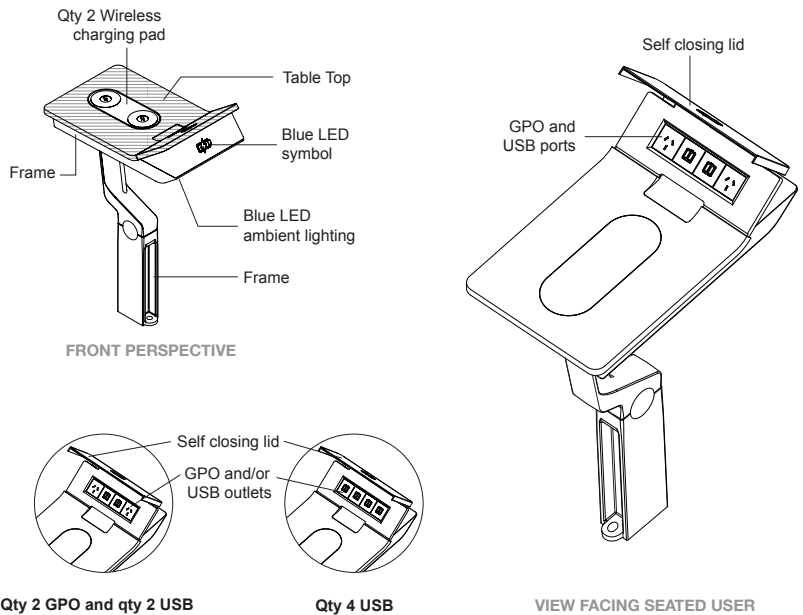
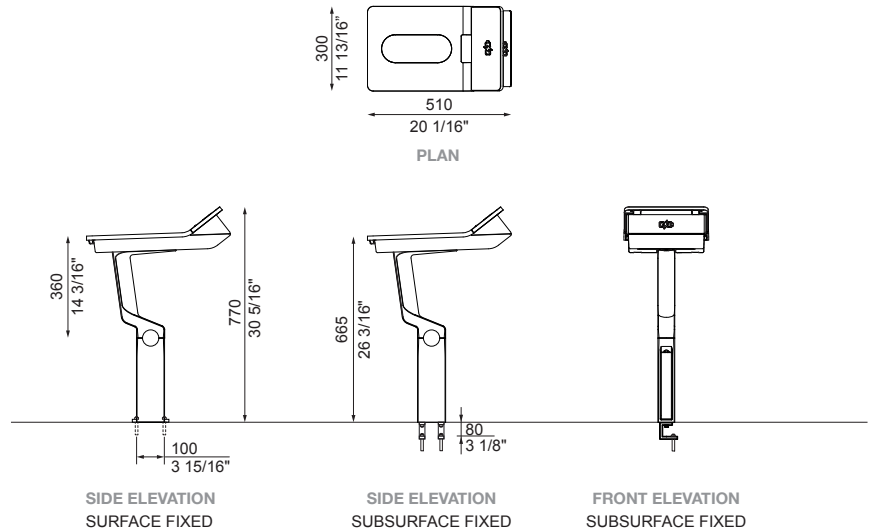
- No
- Yes

**MOUNTING:**

- Surface fixed
- Subsurface fixed

**TABLE TOP COLOUR:**

- Textura
  - Ironstone
  - Deep Ocean
  - Jasper
  - Woodland Grey
  - Dark Bronze
  - Monument
  - Black
- Other (*see colour chart*)



**Integrated PowerMe Indoor**  
2 x Aria 2-seater, PowerMe centred, with Splay legs and arms  
2S-PM1.0-2S

**FRAME COLOUR:**

- Textura
  - Ironstone
  - Deep Ocean
  - Jasper
  - Woodland Grey
  - Dark Bronze
  - Monument
  - Black
- Other (*see colour chart*)

**CONFIGURATION:**

- Standalone
- Axle mount

*Some options incur additional fees and lead time.*

**Need more information?**

For a brochure, image gallery, CAD downloads, installation and maintenance guides, go to:  
[streetfurniture.com/au/product/powerme-indoor-table/](http://streetfurniture.com/au/product/powerme-indoor-table/)

**Quick links:**

- [streetfurniture.com/au/colour-chart/](http://streetfurniture.com/au/colour-chart/)
- [streetfurniture.com/au/warranty/](http://streetfurniture.com/au/warranty/)
- [streetfurniture.com/au/parts-promise/](http://streetfurniture.com/au/parts-promise/)

