



frame bin enclosure

installation guide

This guide relates to:

No.	Product	MCODE
1.	Frame Bin Enclosure 120L, with panels	WBE-nF120-PAN
2.	Frame Bin Enclosure 120L, with battens	WBE-nF120-BAT
3.	Frame Bin Enclosure 120L, with wide battens	WBE-nF120-WBAT
4.	Frame Bin Enclosure 240L, with panels	WBE-nF240-PAN
5.	Frame Bin Enclosure 240L, with battens	WBE-nF240-BAT
6.	Frame Bin Enclosure 240L, with wide battens	WBE-nF240-WBAT

Welcome and congratulations on your purchase from **Street Furniture Australia.**

This guide refers to the Frame Bin Enclosure range with several sizes, body finishes and roof designs.

Before beginning installation please read this guide thoroughly.

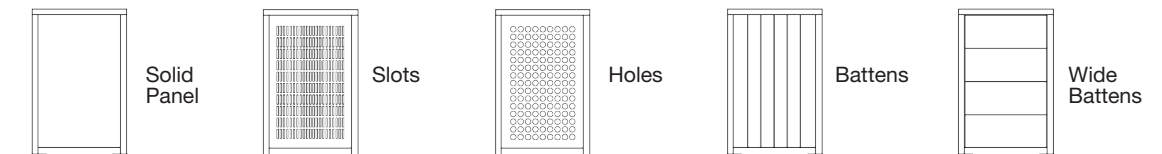
Important to note:

- Handle bin(s) and parts carefully to prevent scratching, warping, bending or twisting. Do not slide parts on concrete or other hard or abrasive surfaces.
- Please check that you have received all the components and inspect goods on delivery. Double check with the list on the next page. The image is for example only, you should receive your selected legs and/or arms. Claims for defects or damage, shortage in quantity or failure to comply with the description or quote must be made within seven (7) business days. In case of damage, Street Furniture Australia requires photographic evidence. If the damage occurred during transport, we highly recommend taking photos prior to removing packaging.
- There are several steps on this installation guide, that may or may not be applicable to your order.

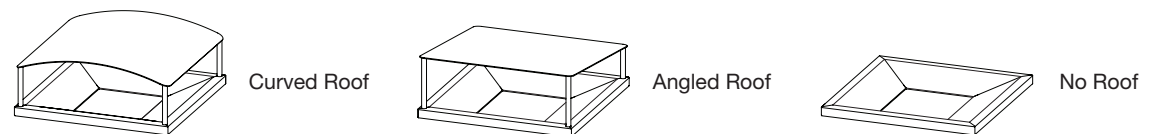
Understanding the Frame Bin Enclosure Range

The Frame Bin Enclosure range includes several roof and base options that may require assembly on site.

Body options include:



Roof options include:



© Street Furniture Australia Pty Limited ABN 46 070 910 100

Australia 1800 027 799
United States +1 415 365 7186
International +61 2 8774 8888

Email info@streetfurniture.com
N6 391 Park Road, Regents Park
NSW 2143, Australia

Version 1 @ 01.07.20 MDP-12

streetfurniture.com

1

installation instructions:
size 120L

A. HOW TO INSTALL FRAME BIN 120L ON SITE

Select the correct mounting option for installation method.

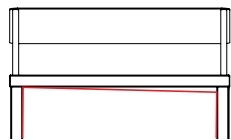
Note: installation hardware is not included.

Fig. 1: Surface Fixed

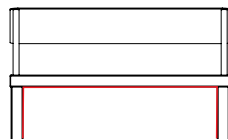
Fig. 2: Surface Fixed with Adjustable Leg

Important Note

Doors **may appear tilted** until fixed into place.



tilted door
uninstalled or on uneven surface



squared door
installed on leveled surface

If required, once installed use adjustable feet to correct tilted door.

FRAME BIN 120L Surface Fixed

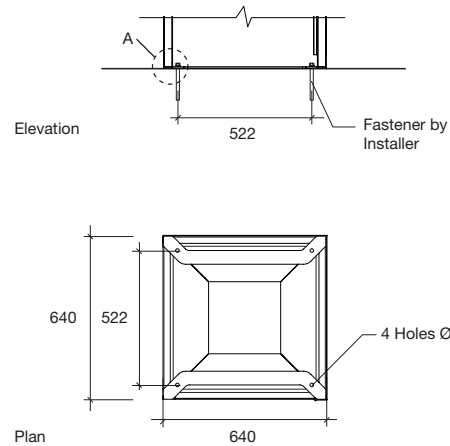
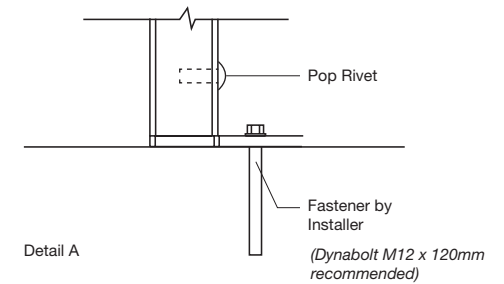


Fig. 1

Note:

If surface is not level, unlock the adjustable leg by removing the four rivets at base then follow **Fig. 2** below.



FRAME BIN 120L Surface Fixed with Adjustable Leg

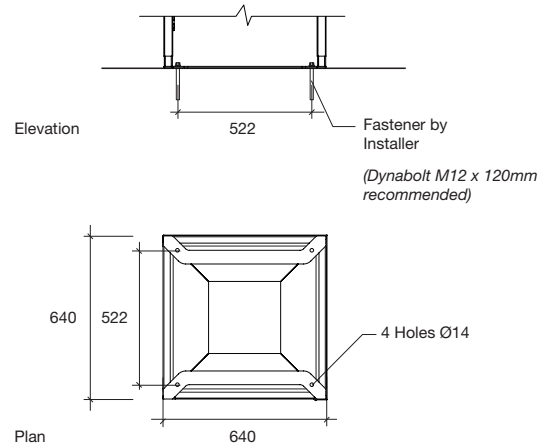
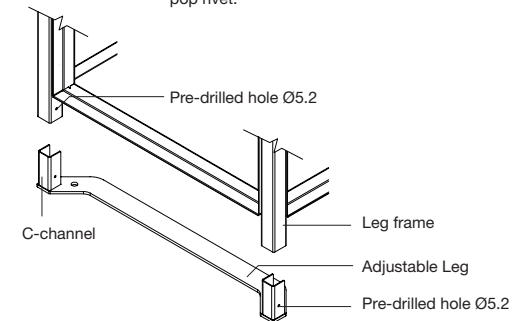


Fig. 2

Note:

Adjust the height according to your needs. Drill holes through the C-channel and leg frame, fixed with self-tapping screws or pop rivet.



installation instructions:
size 240L

B. HOW TO INSTALL FRAME BIN 240L ON SITE

Select the correct mounting option for installation method.

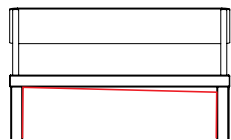
Note: installation hardware is not included.

Fig. 1: Surface Fixed

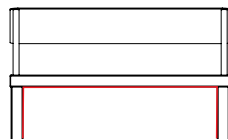
Fig. 2: Surface Fixed with Adjustable Leg

Important Note

Doors **may appear tilted** until fixed into place.



tilted door
uninstalled or on uneven surface



squared door
installed on leveled surface

If required, once installed use adjustable feet to correct tilted door.

FRAME BIN 240L Surface Fixed

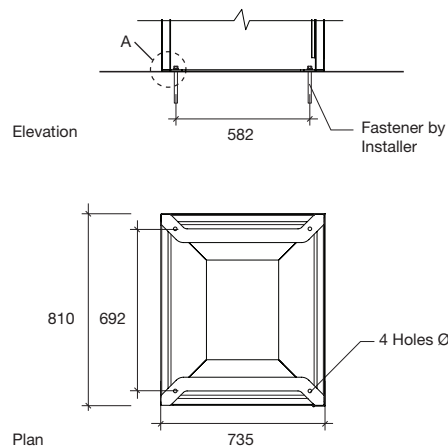
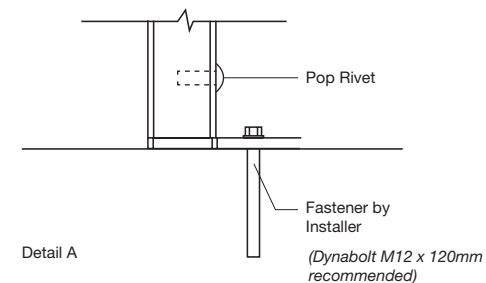


Fig. 1

Note:

If surface is not level, unlock the adjustable leg by removing the four rivets at base then follow Fig. 2 below.



FRAME BIN 240L Surface Fixed with Adjustable Leg

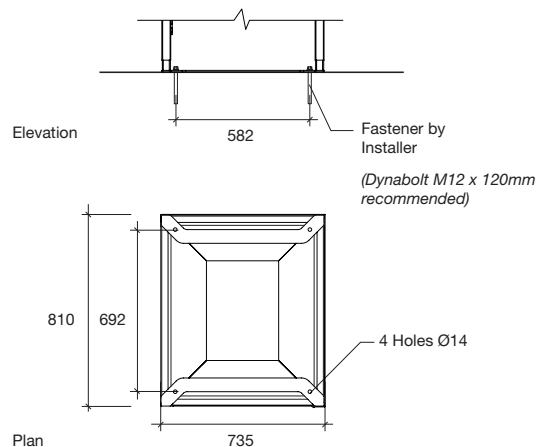


Fig. 2

Note:

Adjust the height according to your needs. Drill holes through the C-channel and leg frame, with self-tapping screws for stainless steel.

