

aria table

street furniture™ technical sheets

<u>product name</u>	<u>mcode</u>	<u>page</u>
Aria Table	CMA6	2
Aria DDA Table	CMA6-DDA	4

Create places to eat, work and dine with the Aria Table.

MCODE:
CMA6

DIMENSIONS:
705 W x 720H x various lengths (mm)
27 3/4" W x 28 3/8" H x various lengths

Select one box per category to specify your product.

LENGTH:
 1800mm | 70 7/8"
 2100mm | 82 11/16"
 Tailored

LEGS AND MOUNTING:
Legs may require basic assembly on-site. Legs are fixed heights.

- 14 Aria Pedestal Tall
 - Surface fixed
 - Subsurface fixed
- 15 Aria Splay Tall
 - Surface fixed
 - Subsurface fixed

FRAME AND PANEL COLOUR:
Textura is highly recommended.

- Cast aluminium powder coated
(see colour chart)

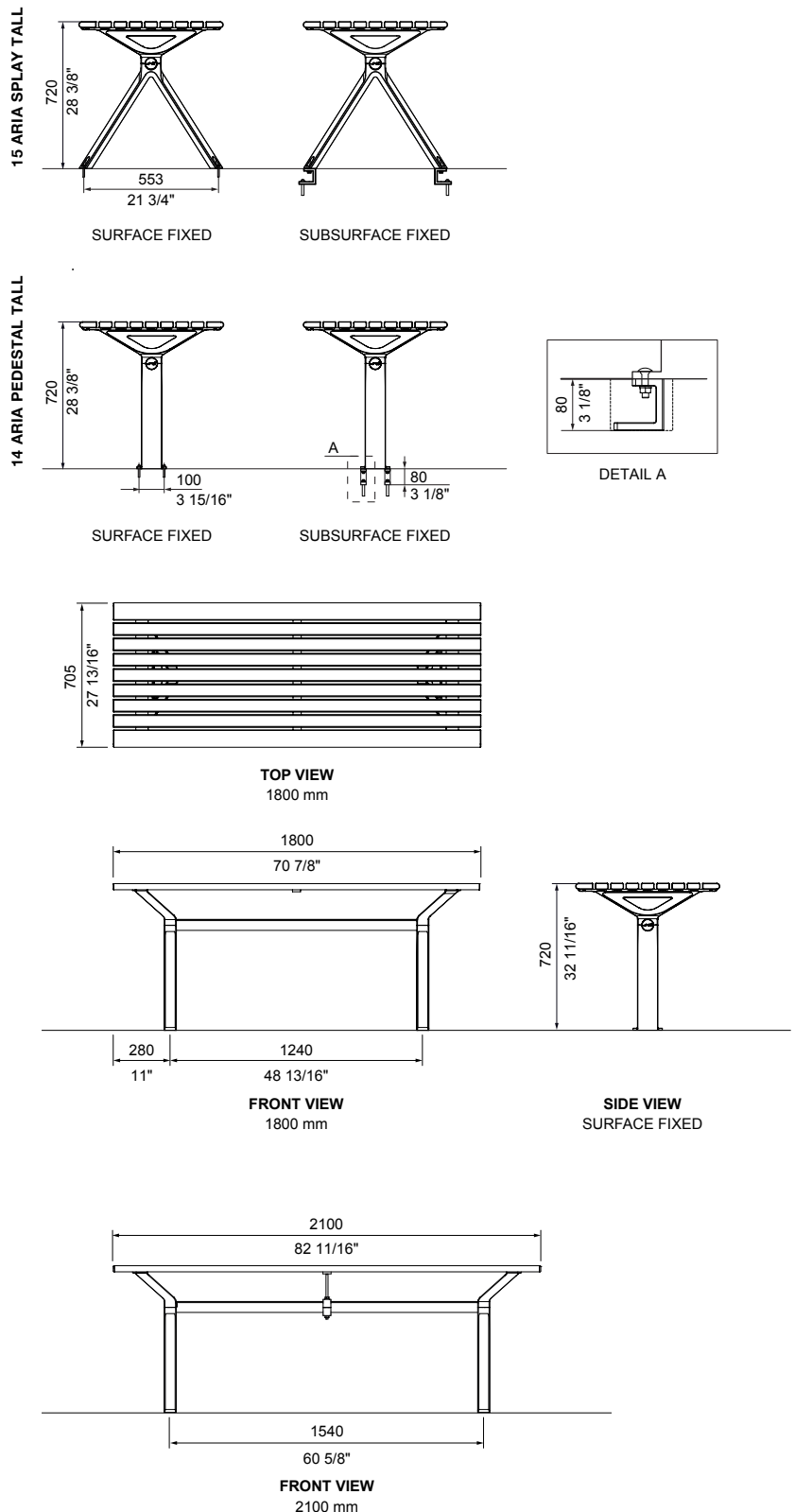
BATTEN:
Timber is exclusively sourced from FSC or PEFC certified managed forests only. Timber requires oiling every three months. For a timber look with low maintenance, choose aluminium Wood Without Worry.

- Eco-certified hardwood oiled
- Aluminium anodised
- Aluminium powder coated *(see colour chart)*
- Aluminium woodgrain *(see colour chart)*
- Tailored

BATTEN END CAP:
Solid powder colour applies to aluminium battens only.

- Match batten colour
- Match frame colour
- Tailored *(see colour chart)*

Some options incur additional fees and lead time.



COMPATIBLE SEATING:

Refer to separate technical sheet.

- Aria Seat (CMA1)
- Aria Bench (CMA4)

Some options incur additional fees and lead time.

Need more information?

For a brochure, image gallery, CAD downloads, installation and maintenance guides, go to:

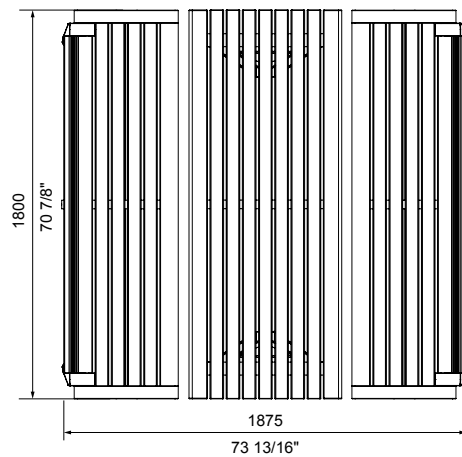
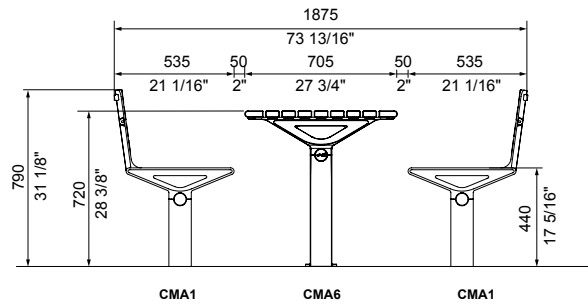
streetfurniture.com/au/product/aria-table/

Quick links:

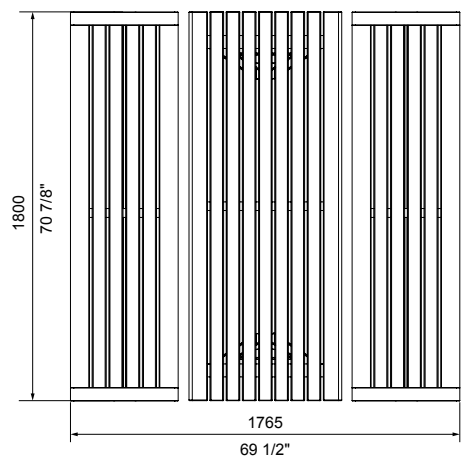
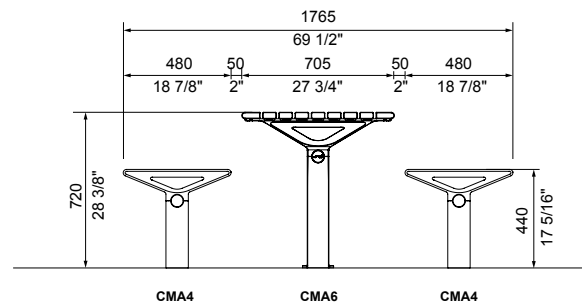
streetfurniture.com/au/colour-chart/

streetfurniture.com/au/warranty/

streetfurniture.com/au/parts-promise/



CMA6 1800mm



CMA6 1800mm

Create places to eat, work and dine with the Aria Table. Complies with DDA requirements for wheelchair access.

MCODE:
CMA6-DDA

DIMENSIONS:
705W x 830H x various lengths (mm)
27 3/4" W x 32 11/16" H x various lengths

Select one box per category to specify your product.

LENGTH:

- 1800mm | 70 7/8"
- 2100mm | 82 11/16"
- Tailored

LEGS AND MOUNTING:

Legs may require basic assembly on-site. Legs are fixed heights.

- 14 Aria Pedestal
 - Surface fixed
 - Subsurface fixed

FRAME AND PANEL COLOUR:

Textura is highly recommended.

- Cast aluminium powder coated
(see colour chart)

BATTEN:

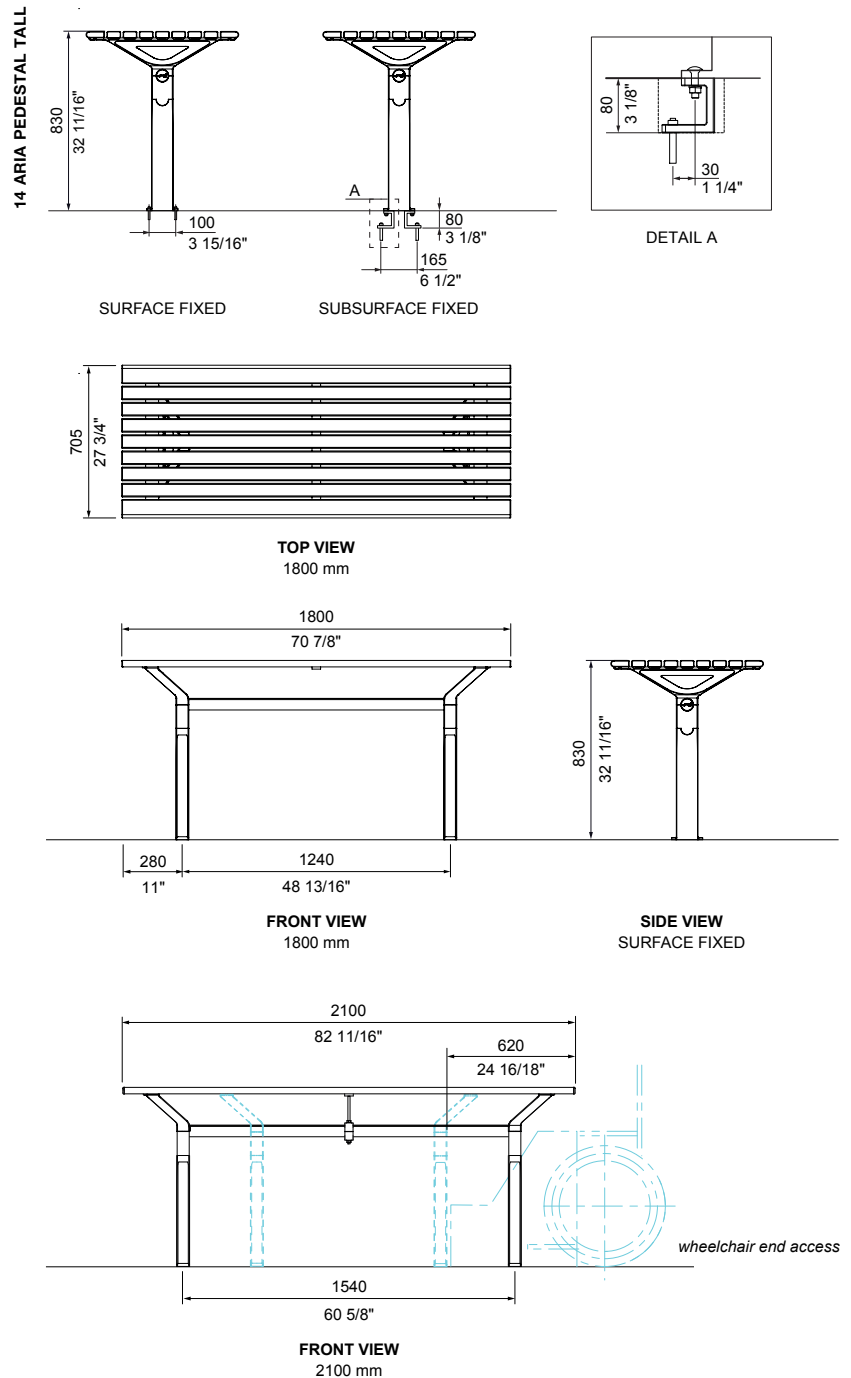
Timber is exclusively sourced from FSC or PEFC certified managed forests only. Timber requires oiling every three months. For a timber look with low maintenance, choose aluminium Wood Without Worry.

- Eco-certified hardwood oiled
- Aluminium anodised
- Aluminium powder coated *(see colour chart)*
- Aluminium woodgrain *(see colour chart)*
- Tailored

BATTEN END CAP:

Solid powder colour applies to aluminium battens only.

- Match batten colour
- Match frame colour
- Tailored *(see colour chart)*



WHEELCHAIR ACCESS:

When specifying DDA table with wheelchair access for one or both ends it must be fixed to the ground — surface fixed, subsurface fixed or core drilled.

- Side access
- Access from 1 end
- Access from both ends
- Tailored

COMPATIBLE SEATING:

Benches are 485mm high to suit a taller DDA table. Refer to separate technical sheet.

- Aria Seat with Pedestal for DDA setting leg (CMA114)
- Aria Bench with Pedestal for DDA setting leg (CMA414)

Some options incur additional fees and lead time.

Need more information?

For a brochure, image gallery, CAD downloads, installation and maintenance guides, go to:

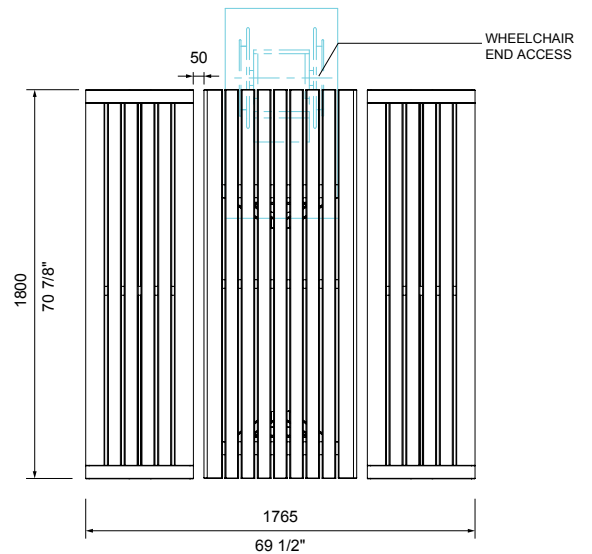
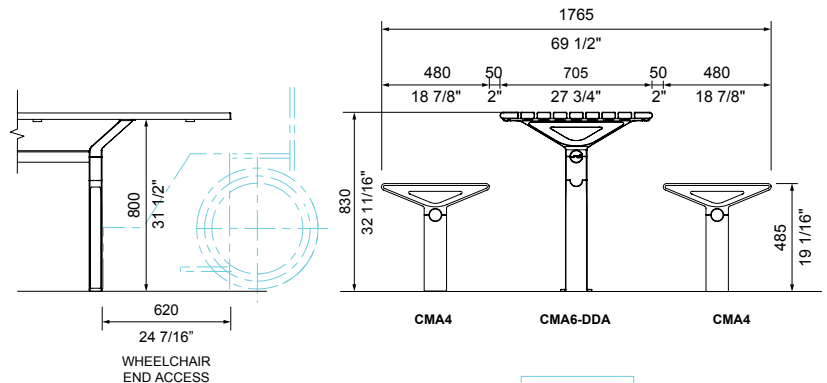
streetfurniture.com/au/product/aria-dda-table/

Quick links:

streetfurniture.com/au/colour-chart/

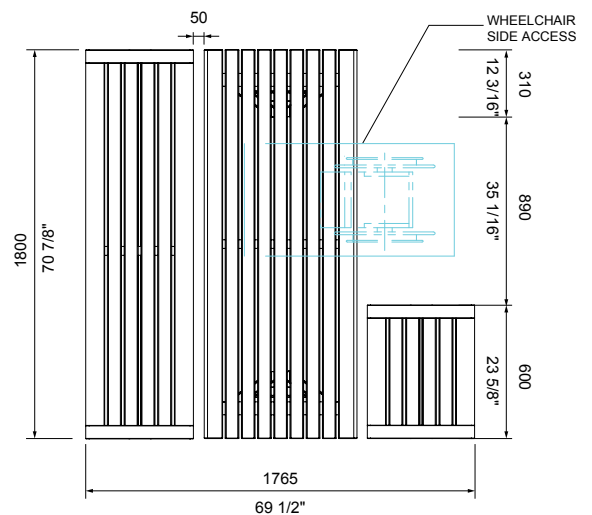
streetfurniture.com/au/warranty/

streetfurniture.com/au/parts-promise/



CMA6-DDA 1800mm

WHEELCHAIR
END ACCESS



CMA6-DDA 1800mm

WHEELCHAIR
SIDE ACCESS

SETTING OPTIONS