



power me™ table

installation guide

This guide relates to product:

No.	Product	MCODE
1.	PowerMe™ Table	PM

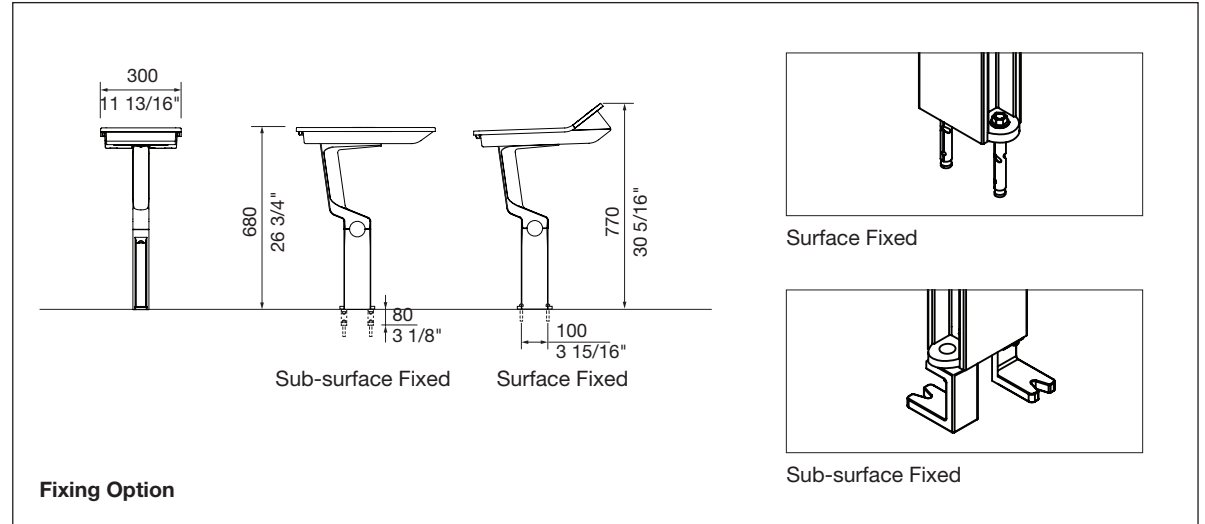
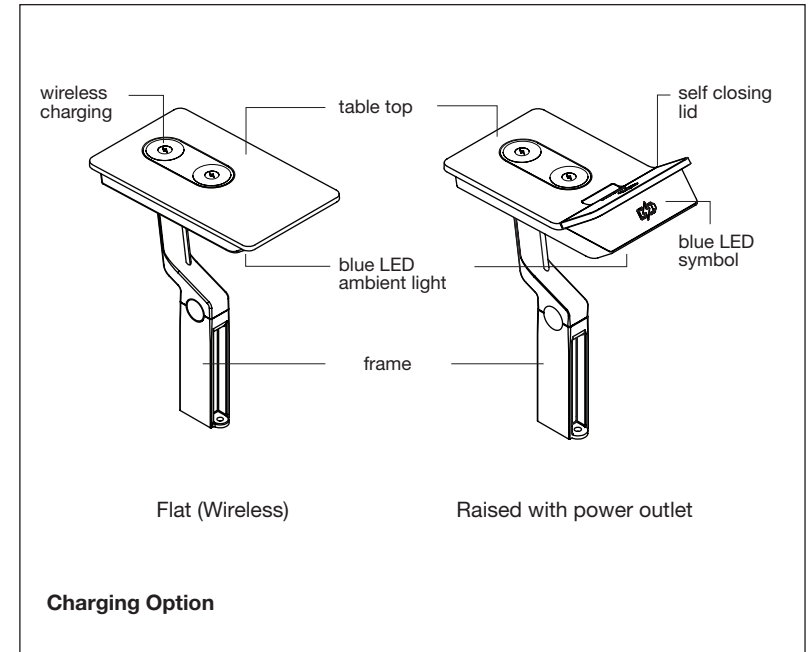
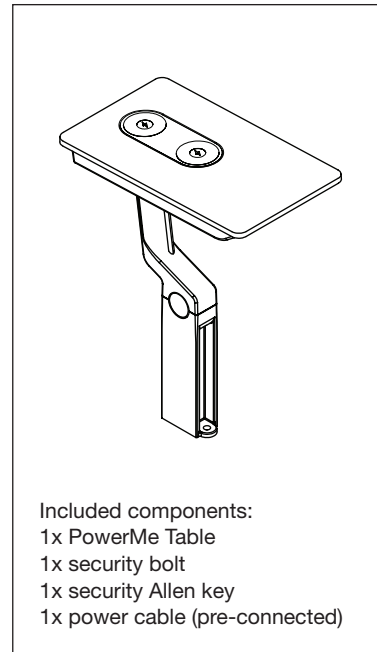
Welcome and congratulations on your purchase from **Street Furniture Australia.**

PowerMe™ is Australia's first smart bench, a charging table that enables people to sit back, connect and power up their phones. It can be integrated with the Aria, Classic Galleria, Mall, Concourse and Termini range.

Before beginning installation please read this guide thoroughly.

Important to note:

- The PowerMe Table is an electrical appliance and any work carried out for installation or maintenance **MUST** be undertaken by a licenced electrician.
- Street Furniture Australia is not responsible for the end use or installation of this product including any improper use, or when used for purposes that are not specified.
- Do not use the appliance for other than the intended or specified purposes.
- Misuse of the appliance may cause injury.
- To avoid electrical shock, do not place the cord or plug in water or other liquids.
- If the supplied cord is damaged it must be replaced by the manufacturer, its service agent or similarly qualified persons to avoid a hazard.
- Do not attempt to repair, open or alter any components of the PowerMe Table unless qualified to do so. In the case of improper use or if you have opened, altered and repaired the product yourself, all warranties are void.
- The PowerMe Table is protected by a RCBO (circuit breaker) rated to 10A. This complies with AS/NZS 61008 (RCCBs) and AS/NZS 61009 (RCBOs).
- The PowerMe Table is suitable for outdoor use.

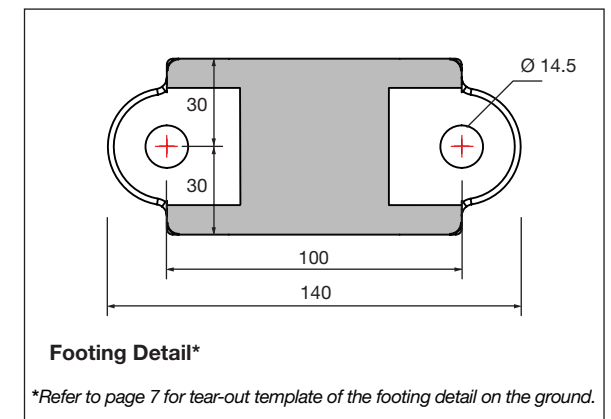
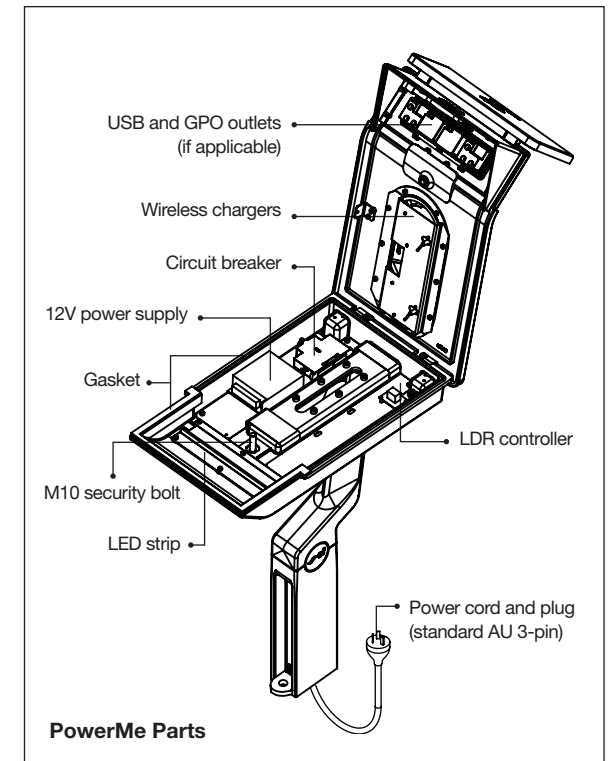
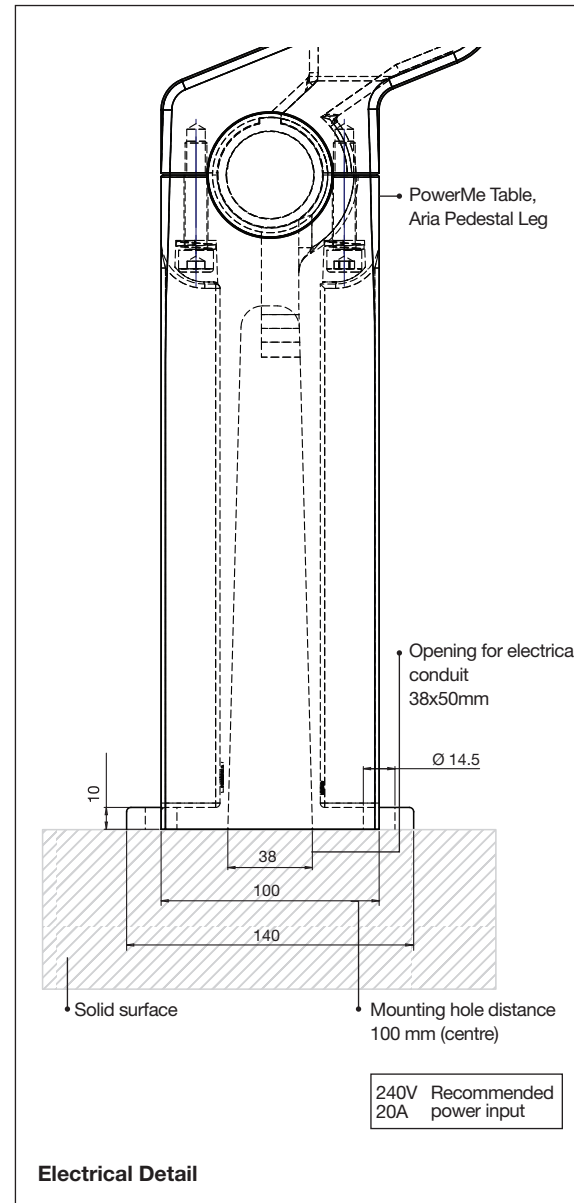


assembly instructions (1/3)

HOW TO ASSEMBLY A STANDALONE POWERME™ TABLE (IN-GROUND CABLING)

If you have a standalone PowerMe Table without any seating system, please follow the steps below.

1. Ensure installation site is prepared with available power and suitable mounting surface.
2. Unpack PowerMe Table and included components.
3. It is recommended to plug the table into power to check it is working before hardwiring. Any 240V outlet will be suitable.
4. Have the electrician connect the PowerMe Table to power at the specified installation site **BEFORE** surface or sub-surface mounting the unit.
5. Once connected and tested the table can be fixed to the surface with fasteners provided by the installer.

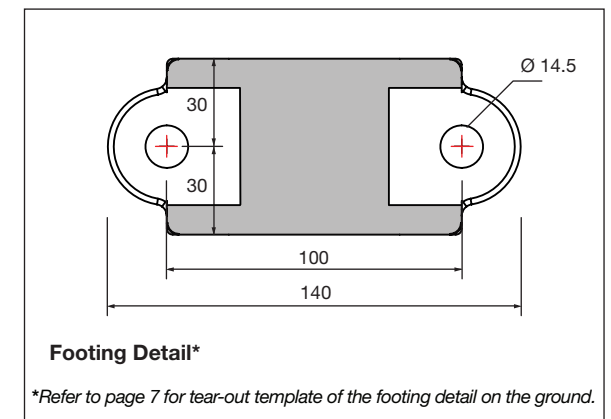
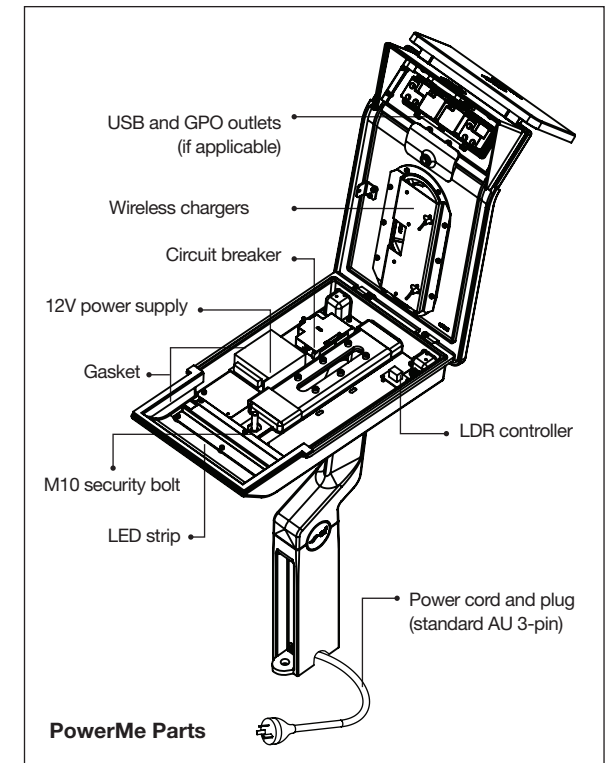
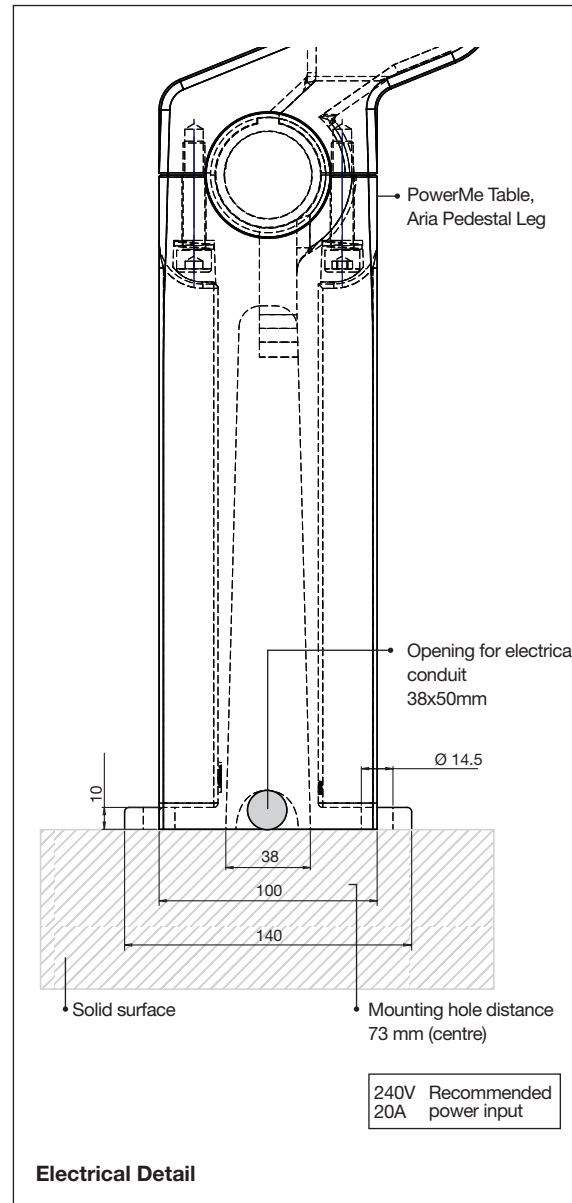


assembly instructions (2/3)

HOW TO ASSEMBLY A STANDALONE POWERME™ TABLE (ON-GROUND CABLING)

If you have a standalone PowerMe Table without any seating system, please follow the steps below.

1. Ensure installation site is prepared with available power and suitable mounting surface.
2. Unpack PowerMe Table and included components.
3. It is recommended to plug the table into power to check it is working before hardwiring. Any 240V outlet will be suitable.
4. Have the electrician connect the PowerMe Table to power at the specified installation site **BEFORE** surface or sub-surface mounting the unit.
5. Once connected and tested the table can be fixed to the surface with fasteners provided by the installer.

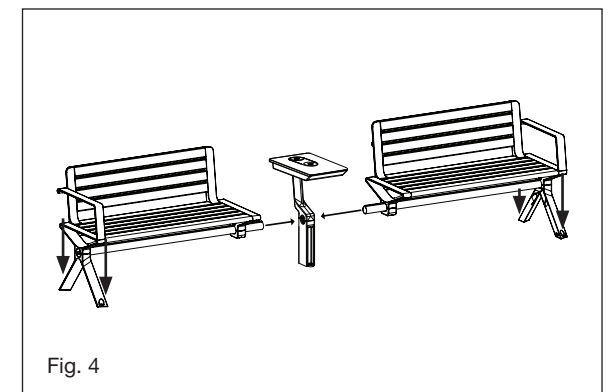
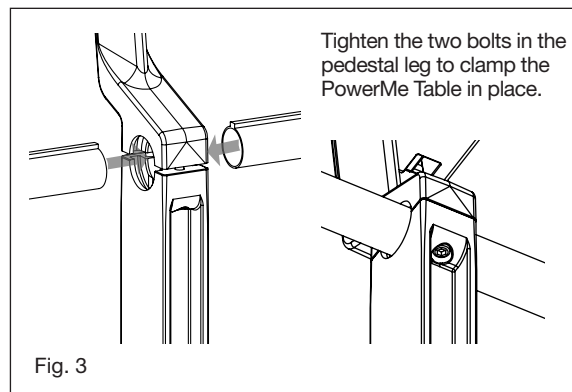
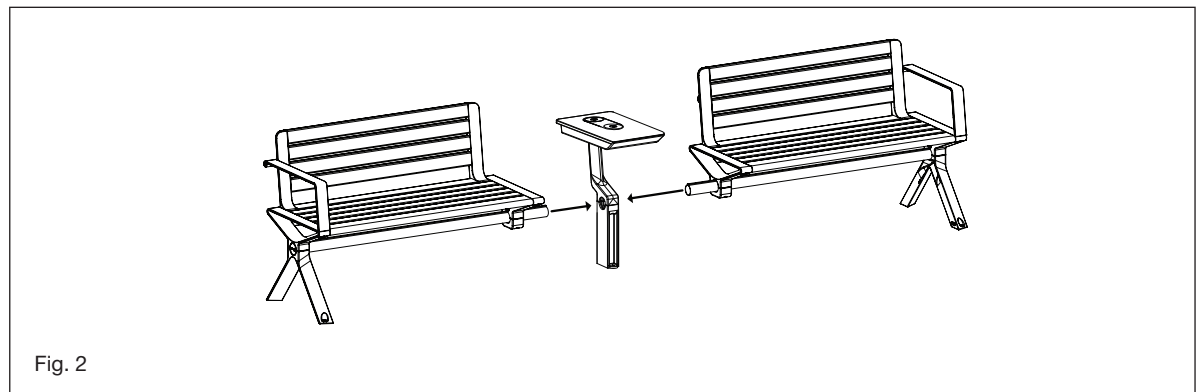
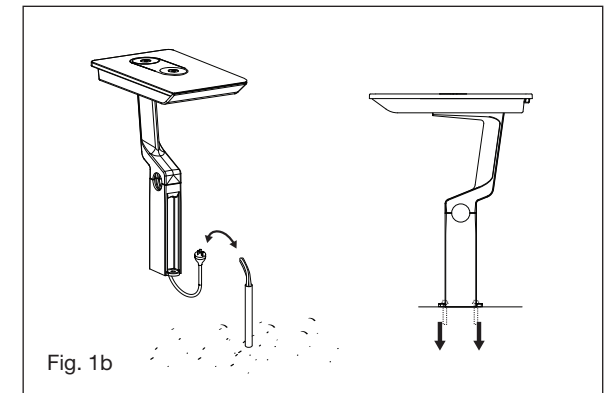
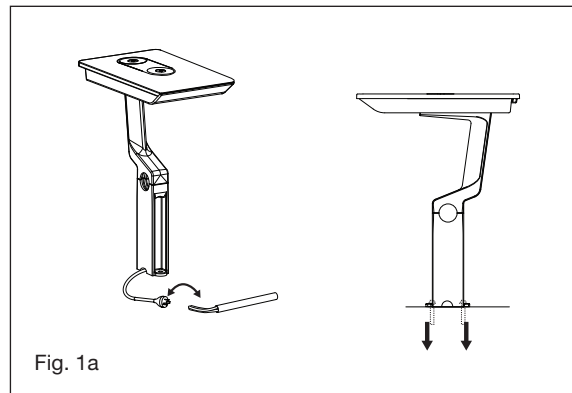


assembly instructions (3/3)

HOW TO INTEGRATE THE POWERME™ TABLE

If your Aria configuration includes a PowerMe Table, please follow the steps below.

1. Remove products from packaging (ARIA 2S-PM-2S shown).
2. Connect the PowerMe Table/s to power. **This work must be carried out by a qualified electrician.** Once the power is connected and working the table can be fixed into place as shown in **Fig. 1a** for on-ground cabling and **Fig. 1b** for in-ground cabling.
3. With PowerMe Table fixed in position - assemble the Aria Seats or Benches into place according to your configuration as seen in **Fig. 2**.
4. Insert each opposing axle into the round key opening of the PowerMe pedestal leg and ensure they meet face-to-face aligned to the centre. Firmly tighten the 2 x M10 Hex Bolts using an Allen key to fix the seats and/or benches in place, see **Fig. 3**.
5. Once the seat assembly is fixed together, proceed with surface or sub-surface fixing it in place

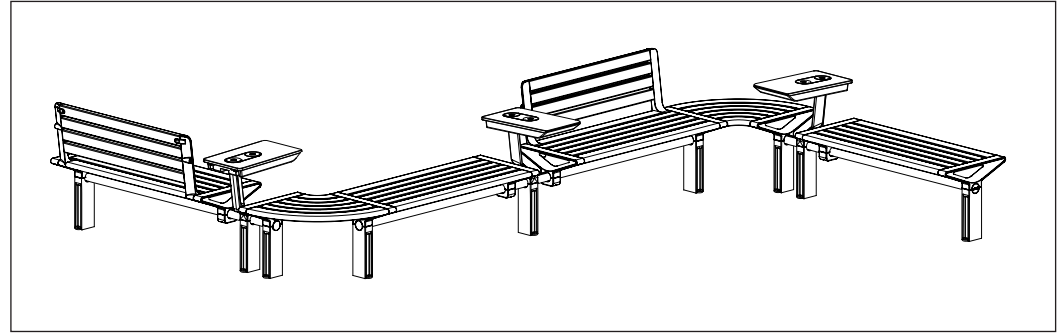


additional information

LARGE CONFIGURATION

If you have ordered a large configuration with multiple connector panels and PowerMe Tables, the process will be similar but it is key that the site is prepared before installation begins. Most importantly, power must be available for the PowerMe Tables.

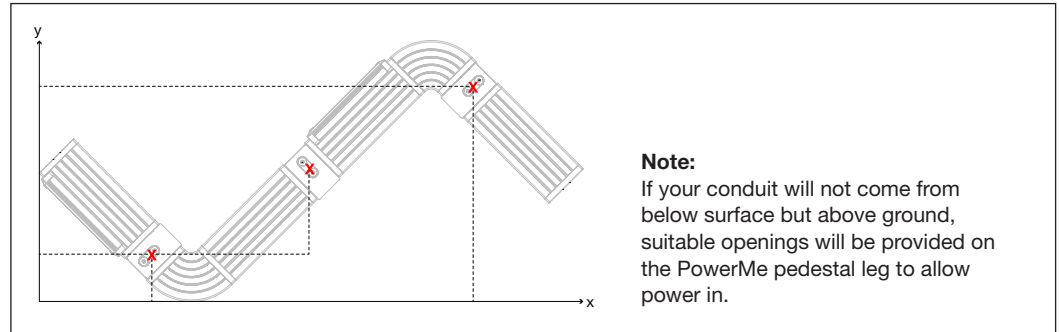
Using the configuration to the right as an example, below are important notes and steps for a successful installation.



POWERME™ TABLE CONDUIT LOCATIONS

If your Aria configuration includes multiple PowerMe Tables you will receive a coordinate map, similar to the figure on the right, to enable correct location of an underground electrical conduit to provide power to the tables.

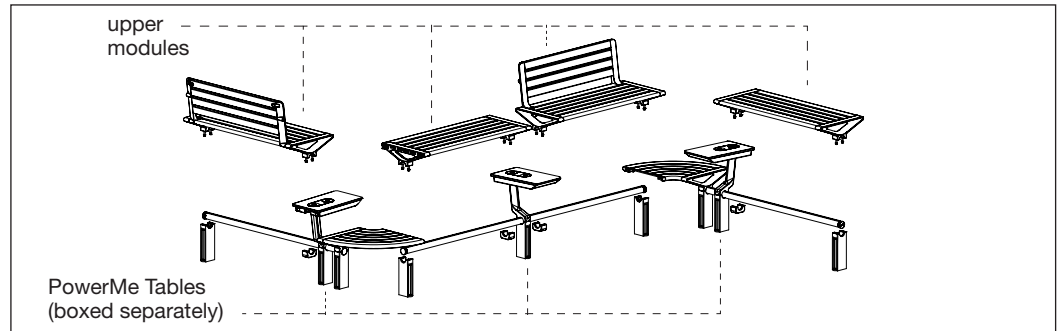
This is a very important step to ensure your configuration can be assembled correctly. Connect the PowerMe Tables to power as the first step.



DELIVERY AND INSTALLATION

For large configurations, you will receive your order in modules with the legs detached (in most cases). Proceed to assemble the configuration onsite according to the signed off drawing.

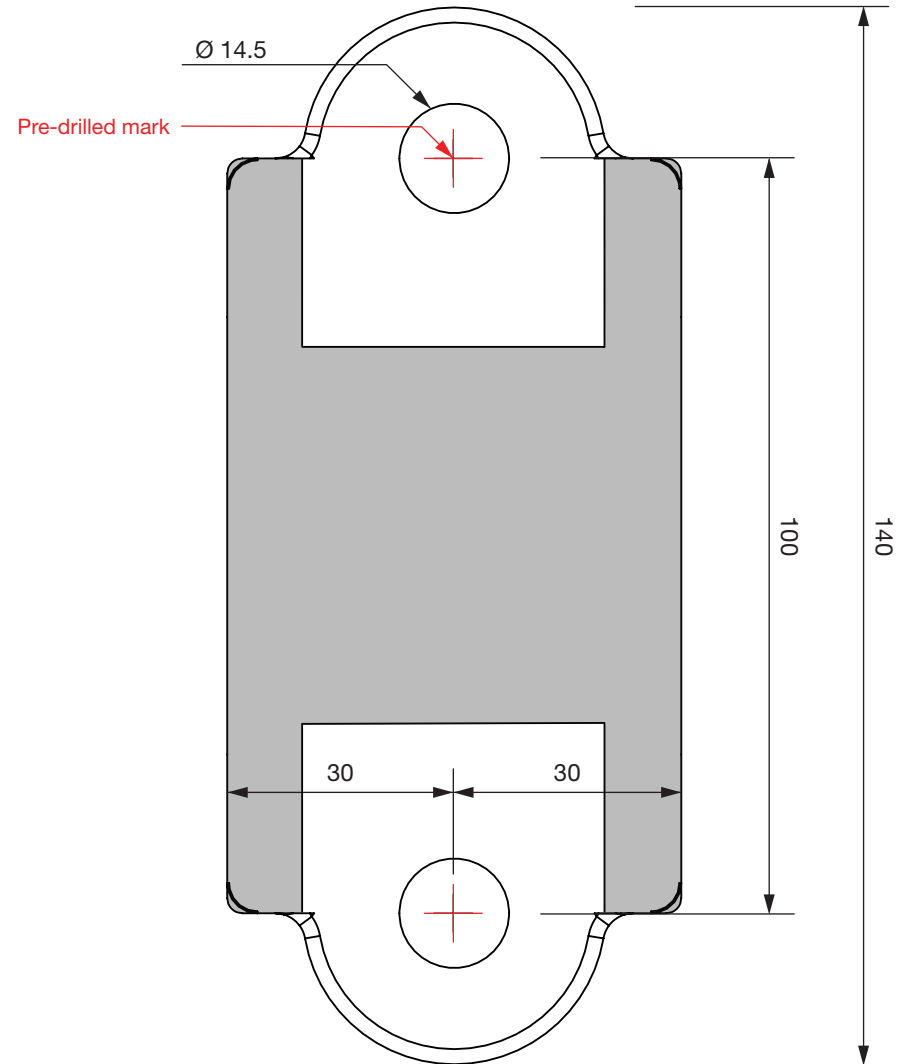
It is highly recommended to fully assemble your configuration in its correct location **BEFORE** surface or sub-surface fixing.





FOOTING DETAIL FOR PEDESTAL LEG

Use this 1:1 scale drawing to mark your surface for pre-drilling purpose.
This pedestal leg footing detail is suitable for Aria and PowerMe table.



IMPORTANT NOTE:
*This template must be printed at scale 1:1
(100% on an A4 sheet paper)*