

Aria Bench is part of a modular furniture system. A contemporary bench for parks, streets, waiting areas and more. Available with Splay or Pedestal legs. Select from the Aria range or build your custom seat.

MCODE:
CMA4

DIMENSIONS:

480W x 440H x various lengths (mm)
18 7/8" W x 17 5/16" H x various lengths

Select one box per category to specify your product.

LEGS AND MOUNTING:

Legs may require basic assembly on-site.

- 12 Aria Splay
 - Surface fixed
 - Subsurface fixed
 - Freestanding
- 13 Aria Pedestal
 - Surface fixed
 - Subsurface fixed
- 14 Aria Pedestal Tall
 - Surface fixed*
 - Subsurface fixed*
 - Adjustable feet (custom height)

* For DDA table setting only.

FRAME AND PANEL COLOUR:

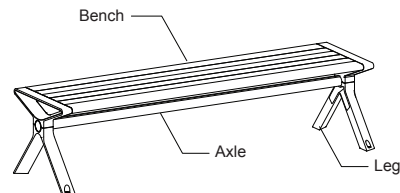
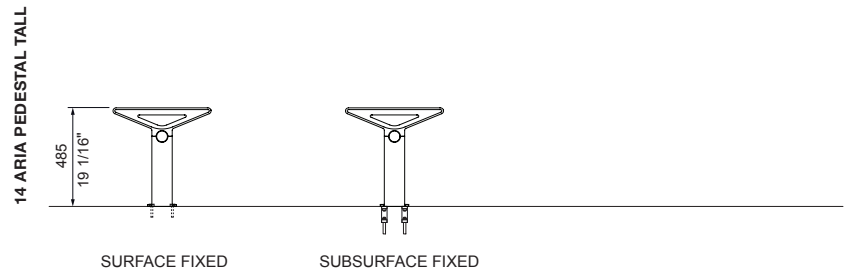
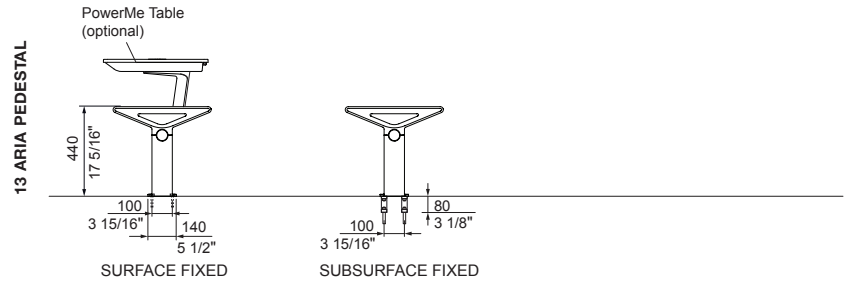
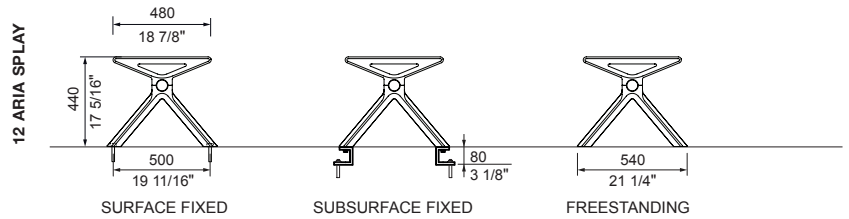
- Textura
 - Ironstone
 - Deep Ocean
 - Jasper
 - Woodland Grey
 - Dark Bronze
 - Monument
 - Black
- Other (*see colour chart*)

BATTEN:

Street Furniture Australia uses sustainable timber from certified managed forests. Timber requires oiling every three months. For a timber look with low maintenance, choose aluminium woodgrain.

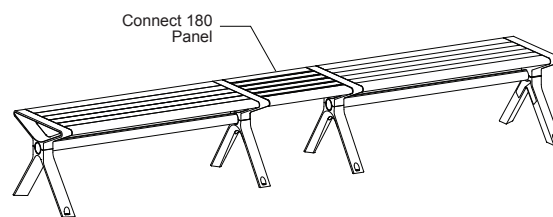
- Eco-certified Jarrah hardwood, oiled (PEFC)
- Aluminium anodised
- Aluminium powder coated (*see colour chart*)
- Aluminium woodgrain (*see colour chart*)
- Tailored

Some options incur additional fees and lead time.



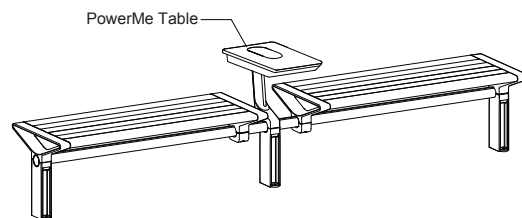
STANDARD

3-seater bench with Splay legs
3S



CONNECT 180

2-seater bench, Connect 180,
2-seater bench, with Splay legs
2B-C180-2B



POWERME TABLE

2 plus 2-seater bench, PowerMe
centered, with Pedestal legs
2B-PM-2B

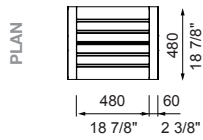
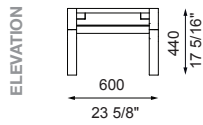
PRE-CONFIGURATIONS:

Lengths that exceed 2100mm or 82 1/4" will be delivered in parts for assembly on-site.

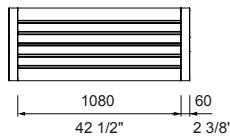
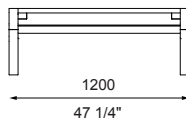
- | | | |
|--------------|--------------------------------|--------------------------|
| 1 : 1-seater | C180 : Connect with 180° Panel | S : Seat (with backrest) |
| 2 : 2-seater | C45 : Connect with 45° Panel | B : Bench (no backrest) |
| 3 : 3-seater | C90 : Connect with 90° Panel | R : Reversed |
| | | PM: PowerMe™ Table |

Standard

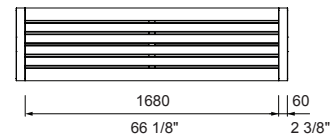
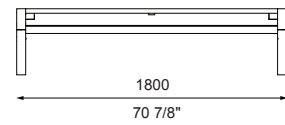
□ 1B



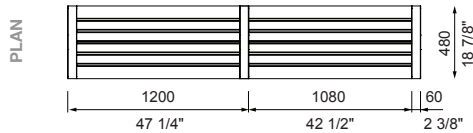
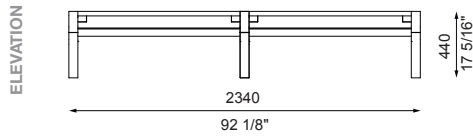
□ 2B



□ 3B

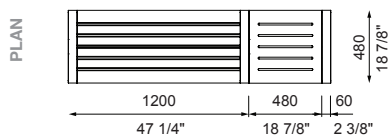
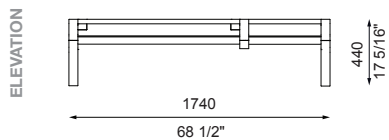


□ 2B-2B

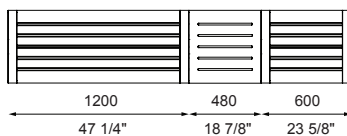
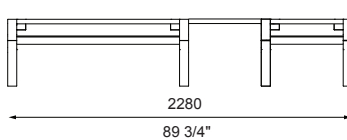


Connect 180

□ 2B-C180



□ 2B-C180-1B



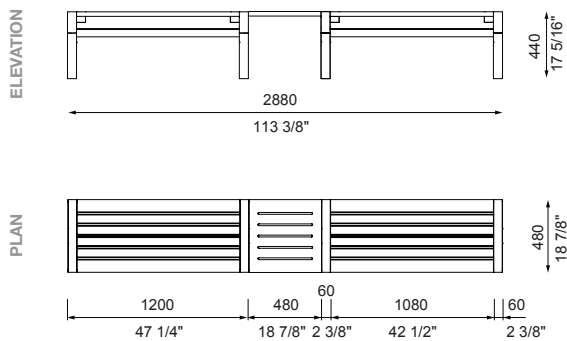
PRE-CONFIGURATIONS:

Lengths that exceed 2100mm or 82 1/4" will be delivered in parts for assembly on-site.

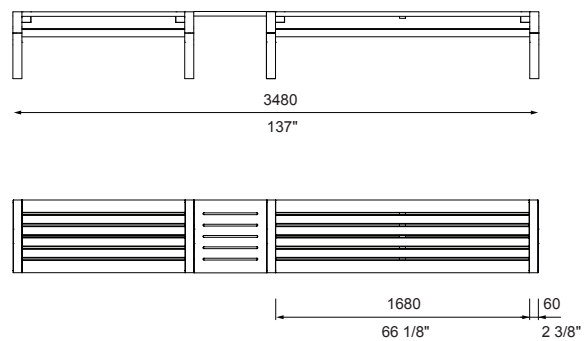
- | | | |
|--------------|--------------------------------|--------------------------|
| 1 : 1-seater | C180 : Connect with 180° Panel | S : Seat (with backrest) |
| 2 : 2-seater | C45 : Connect with 45° Panel | B : Bench (no backrest) |
| 3 : 3-seater | C90 : Connect with 90° Panel | R : Reversed |
| | | PM: PowerMe™ Table |

Connect 180 (continued)

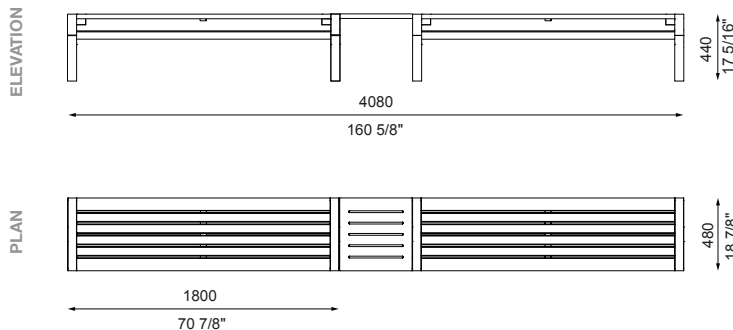
□ 2B-C180-2B



□ 2B-C180-3B

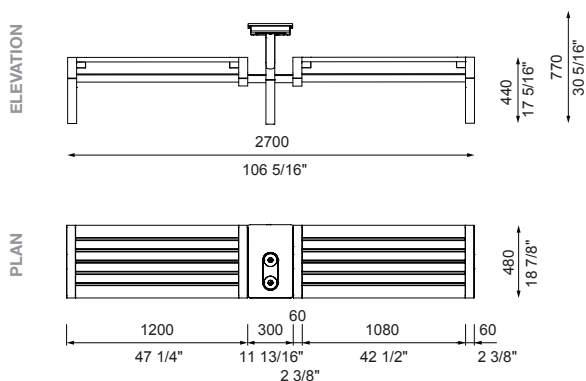


□ 3B-C180-3B



PowerMe Table

□ 2B-PM-2B



Need more information?

For a brochure, image gallery, CAD downloads, installation and maintenance guides, go to:
streetfurniture.com/au/product/aria-bench/

Quick links:

- streetfurniture.com/au/colour-chart/
- streetfurniture.com/au/warranty/
- streetfurniture.com/au/parts-promise/