

mall seat

This is a carbon neutral product.



Comfortable and timeless, this versatile range is suitable for a range of public environments.

MCODE:

Standard CMM1

DDA (Accessible Upright Seat) CMM5

DIMENSIONS:

Standard

615W x 795H x various lengths (mm)

24 1/4" W x 31 1/4" H x various lengths

DDA (Accessible Upright Seat)

585W x 840H x various lengths (mm)

23" W x 33 1/8" H x various lengths

Select one box per category to specify your product.

TYPE:

Standard

DDA (Accessible Upright Seat)

DDA/ADA compliant seats must be specified with armrests.

LEG AND MOUNTING:

Splay

Surface Fixed

Subsurface Fixed

Freestanding

Arch

Surface Fixed

Subsurface Fixed

Freestanding

Tee

Surface Fixed

Subsurface Fixed

Freestanding

Pedestal

Surface Fixed

Subsurface Fixed

Post*

Surface Fixed with Cast Base

Subsurface Fixed with Baseplate

Core Drilled (300mm Below Ground)

Wall (Fixed to Side of Wall)

Plinth (Fixed on Top of Wall)

**Specify 'Splay' or 'Post Leg for DDA Setting' to match a taller table, i.e., wheelchair accessible setting.*

ARM:

None

Bolt-on Angle Arms

Powder Coated [See Colour Chart](#)

Polished

Integral Arms* (Match Frame Colour)

**Only available for DDA type.*

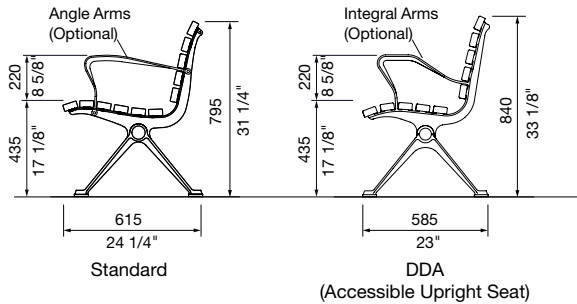
ARM QUANTITY:

2

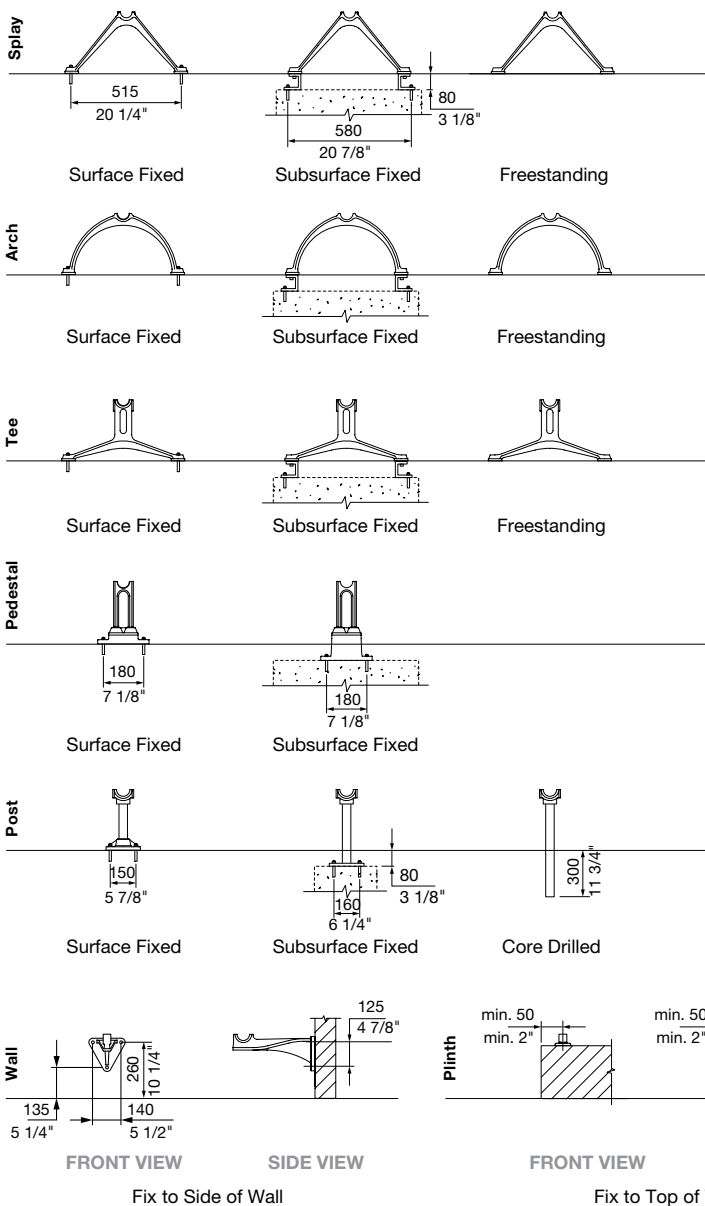
3

Tailored

TYPE



LEG AND MOUNTING



mall seat

This is a carbon neutral product.



FRAME:

[See Colour Chart](#)

- Cast Aluminium Powder Coated

LENGTH:

- 1750mm | 68 7/8"
- 2100mm | 82 5/8"
- Tailored

BATTEN:

- Aluminium Woodgrain [See Colour Chart](#)
- Aluminium Powder Coated [See Colour Chart](#)
 - Single Colour
 - Multicolour
- Aluminium Anodised
- Eco-certified Hardwood Oiled*

*Sourced from certified managed forests (PEFC or FSC). Hardwood needs re-oiling every 3 months. For a wood look with low maintenance, choose Aluminium Woodgrain (also known as Wood Without Worry).

BATTEN ENDCAP COLOUR:

- Match Batten
- Match Frame

Some options incur additional fees and lead time.

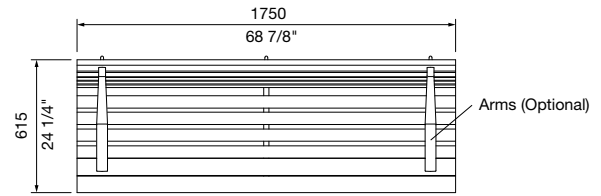
All products are made-to-order, quality-controlled and dispatched from the factory floor to ISO standards.

Need more information?

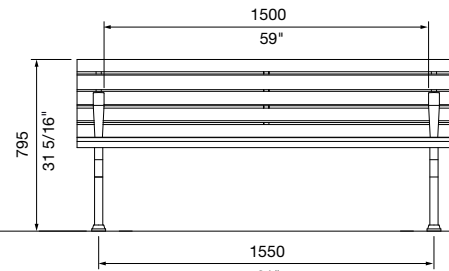
For a brochure, image gallery, CAD downloads, installation and maintenance guides, go to: streetfurniture.com/au/product/mall-seat/

Quick links:

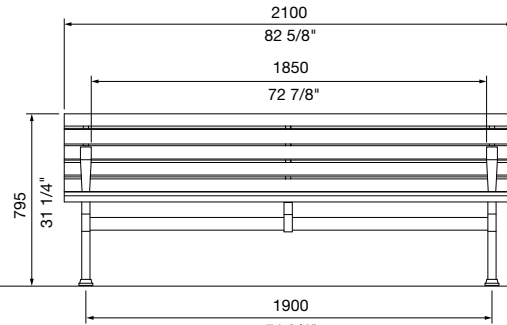
streetfurniture.com/au/colour-chart/
streetfurniture.com/au/warranty/



TOP VIEW
1750mm



FRONT VIEW
1750mm



FRONT VIEW
2100mm

BATTEN MAP

Refer to numbers to specify multicolour battens.

