

# arc seat



**Make a statement with concave or convex curves. Comfortable yet DDA friendly, the Arc Seat features wide and tapered hardwood battens supported by strong stainless frames. Select full, half or no backrest.**

**DIMENSIONS:**

765W x 795H x various lengths (mm)  
 30 1/8" W x 31 5/16" H x various lengths

Select one box per category to specify your product.

**CONFIGURATION:**

- Concave
  - IR 5500 & CL 2000 (mm)  
IR 216 9/16" & CL 78 3/4"
  - IR 4000 & CL 3000 (mm)  
IR 157 1/2" & CL 118 1/8"
  - IR 1600 & CL 3000 (mm)  
IR 63" & CL 118 1/8"
- Convex
  - IR 5500 & CL 2000 (mm)  
IR 216 9/16" & CL 78 3/4"
  - IR 4000 & CL 3000 (mm)  
IR 157 1/2" & CL 118 1/8"
  - IR 1600 & CL 3000 (mm)  
IR 63" & CL 118 1/8"
- Straight
  - 2000 mm | 78 3/4"
  - 3000 mm | 118 1/8"
- Tailored

**ARM:**

*Dark colours are not recommended for areas in constant direct sunlight.*

- None
- Integral
- Tailored

**ARM QUANTITY:**

- 2
- 3
- Tailored

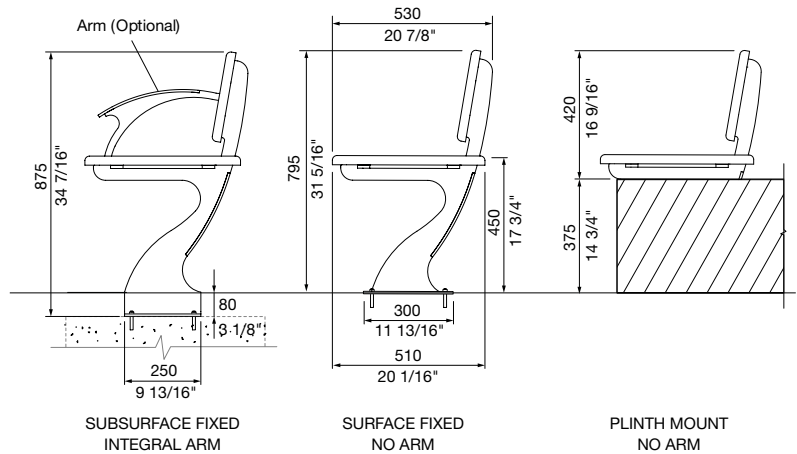
**FRAME:**

[See colour chart](#)

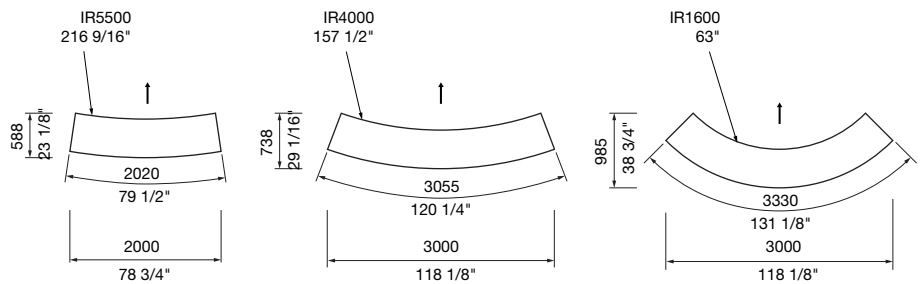
Stainless 304 powder coated

**MOUNTING:**

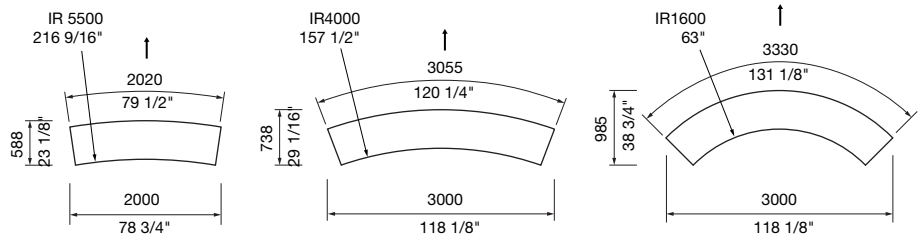
- Surface fixed
- Subsurface fixed
- Plinth mount
- Tailored



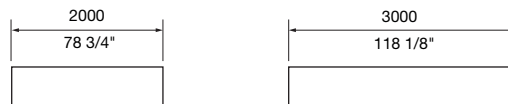
**MOUNTING AND ARM OPTIONS**



CONCAVE



CONVEX



STRAIGHT

**CONFIGURATION OPTIONS**

# arc seat



**BATTEN:**

- Eco-certified Hardwood Oiled\*
- \*Sourced from certified managed forests (PEFC or FSC). Hardwood needs re-oiling every 3 months. For a wood look with low maintenance, choose Aluminium Woodgrain (also known as Wood Without Worry).
- Tailored

**BACKREST:**

- None (bench)
- Half left
- Half right
- Full
- Tailored

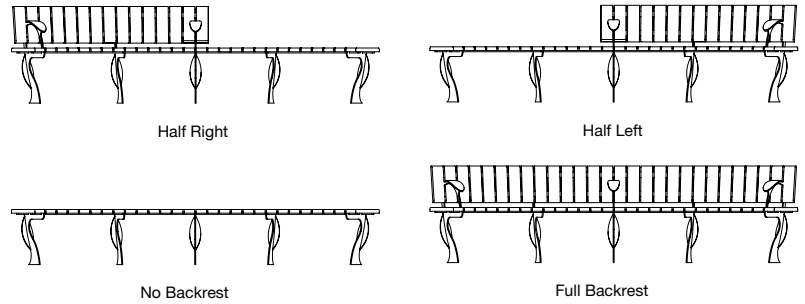
Some options incur additional fees and lead time.

**Need more information?**

For a brochure, image gallery, CAD downloads, installation and maintenance guides, go to: [streetfurniture.com/au/product/arc-seat/](http://streetfurniture.com/au/product/arc-seat/)

**Quick links:**

- [streetfurniture.com/au/colour-chart/](http://streetfurniture.com/au/colour-chart/)
- [streetfurniture.com/au/warranty/](http://streetfurniture.com/au/warranty/)



**BACKREST OPTIONS**

