

Aero Leaning Rail is a short-term rest solution for crowded areas. The unique extrusion in anodised finish is available up to 5.5 metres in length with various mounting options. Powder coat frames and end caps in the colour of your choice.

MCODE:
AR1

DIMENSIONS (mm):
180W x 850H x various lengths

Select one box per category to specify your product.

CONFIGURATION:

- 1500mm
- 2000mm
- 3000mm
- 4000mm
- 5500mm
- Tailored

FRAME:

- Aluminium Powder Coated (see colour chart)
- Tailored

MOUNTING:

- Wall Fixed
- Surface Fixed
- Subsurface Fixed
- Core Drilled (300mm below ground)
- Tailored

BATTEN:

- Aluminium Anodised with End Caps Powder Coated (see colour chart)
- Tailored

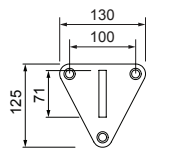
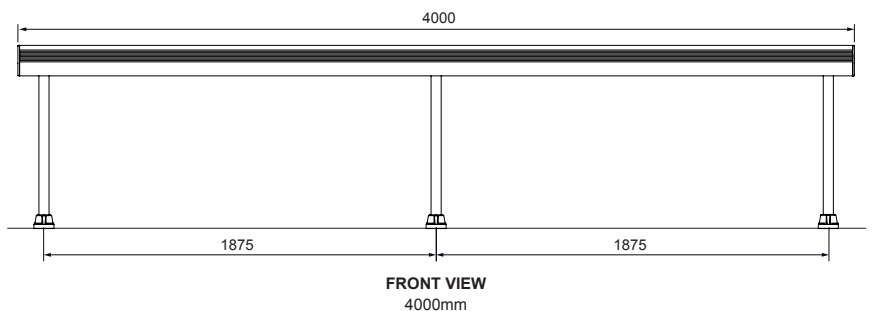
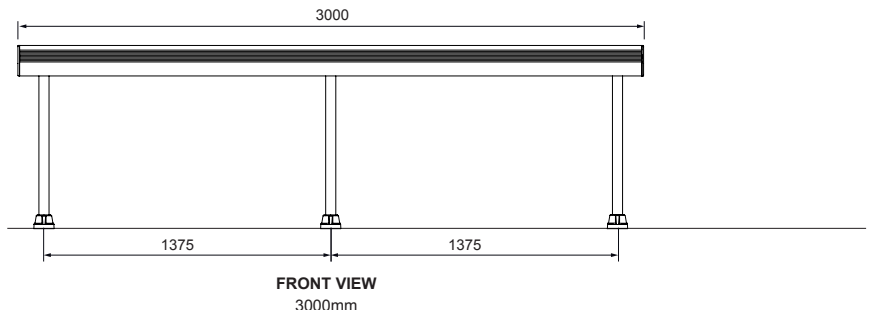
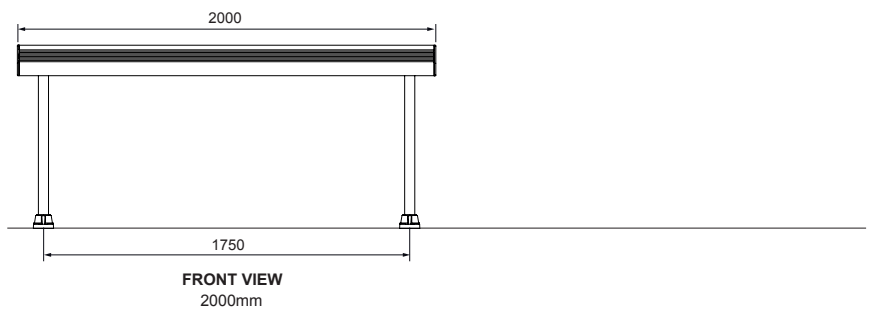
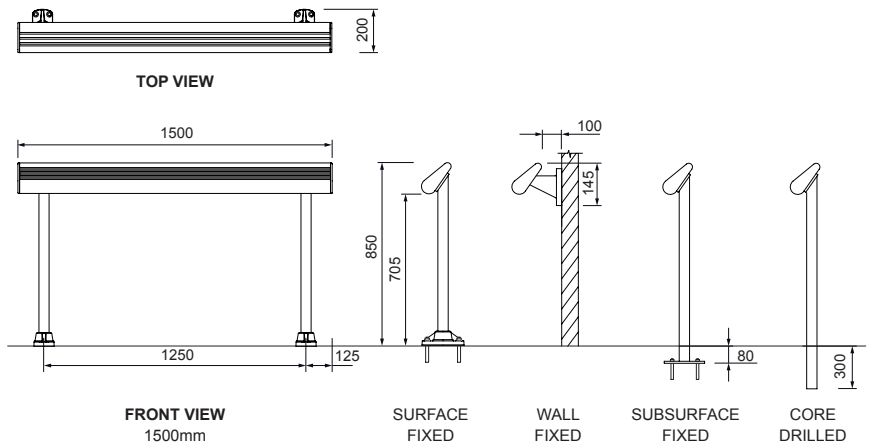
Some options incur additional fees and lead time.

Need more information?

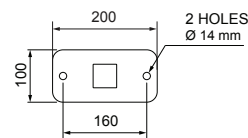
For a brochure, image gallery, CAD downloads, installation and maintenance guides, go to:
streetfurniture.com/au/product/aero-leaning-rail/

Quick links:

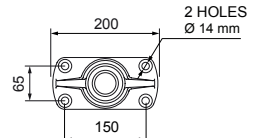
- streetfurniture.com/au/colour-chart/
- streetfurniture.com/au/warranty/
- streetfurniture.com/au/parts-promise/



WALL PLATE DETAIL



BASEPLATE DETAIL



CAST BASE DETAIL

MOUNTING OPTIONS